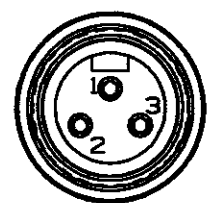
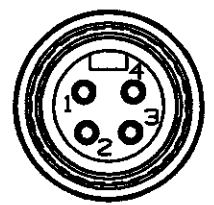


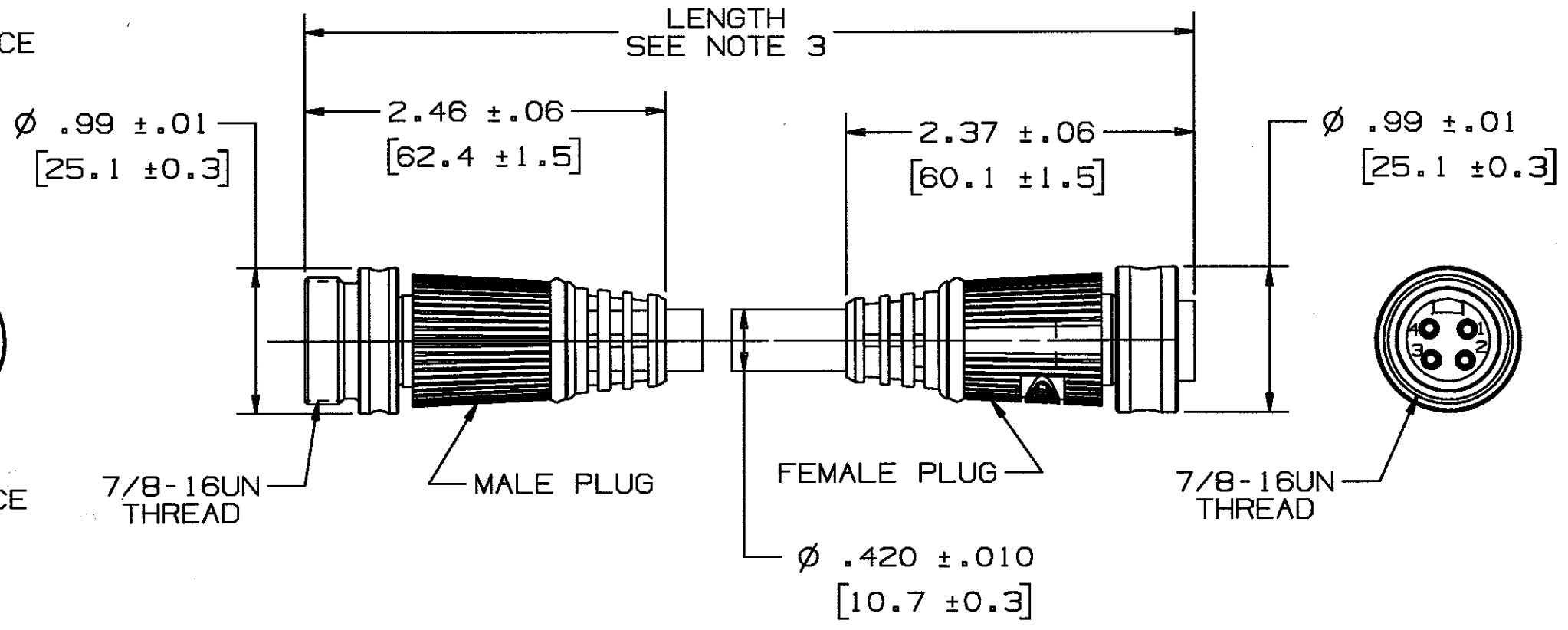
M-9464 3



3 POLE
(MALE FACE
(SHOWN))



4 POLE
(MALE FACE
(SHOWN))



LIST OF PARTS		
DESCRIPTION	MATERIAL	FINISH
COUPLING NUT	BRASS	NICKEL PLATE
INSULATOR, SOCKET	NYLON	WHITE
RETAINERS	NYLON	WHITE
O-RING	RUBBER	BLACK
O-RINGS	SILICONE	GREEN
SOCKET CONTACT	COPPER ALLOY	GOLD OVER Pd/Ni
OVERMOLD	POLYURETHANE	GRAY
CABLE	16 AWG PVC	GRAY
PIN CONTACT	BRASS	GOLD OVER Pd/Ni
INSULATOR, PIN	NYLON	WHITE

SYM	REVISIONS	APP	DATE
3	REVISED NOTE; CONVERTED DIMS. TO DUAL DIMS FROM REF.; ADDED TOL TO DIMS. REVISED TITLE PER DCN 12321 RCM	CAC	4/17/05
2	ADDED "SEE TABLE", DUAL DIM.'S, & NOTES 1-3. ADDED "16 AWG" TO TITLE. REMOVED "AMPS" COLUMN FROM TABLE. "LENGTH SEE NOTE 4" WAS "LENGTH SEE NOTE 1"; NOTE 4 WAS NOTE 1 PER DCN #12063. JMN	GPH	10/29/04
1	RELEASED PER DCN 11937 MJM GH	GPH	9/15/04

NOTES: UNLESS OTHERWISE SPECIFIED

- UL LISTED (PRODUCT CATEGORY CYJV). NOT FOR CURRENT INTERRUPT, RATED 10A, 600V. CABLE - LISTED (QPOR) POWER & CONTROL TRAY CABLE, 600V TYPE TC-ER.
- THESE DEVICES SHALL CONFORM TO LINKOSITY SPECIFICATIONS -0015, -0019.
- THE "XXX" IN CATALOG NUMBER DENOTES LENGTH OF WIRE IN FEET. PH1004PB 0 5 0 IS 50 FEET LONG.
- DIMENSIONS ARE IN INCHES [mm].
- LINKOSITY™ IS A TRADEMARK OF LOCKHEED MARTIN.

CATALOG NUMBER	NUMBER OF POLES	POSITION NUMBER	COLOR	CONDUCTOR MARKING
PH1003PBXXX	3	1	GREEN/YELLOW	P1
		2	WHITE	P2
		3	BLACK	P3
PH1004PBXXX	4	1	BLACK	P1
		2	WHITE	P2
		3	BLACK	P3
		4	GREEN/YELLOW	P4

THE DESIGN AND DIMENSIONS OF THE PRODUCT SHOWN ON THIS DRAWING ARE SUBJECT TO CHANGE WITHOUT NOTICE

TITLE STRAIGHT EXTENSION CABLE
LINKOSITY™
16 AWG, TC-ER CABLE

TOLERANCES UNLESS OTHERWISE SPECIFIED FRACTIONS ± 1/64 DECIMALS ± .005 ANGLES ± 2°	WIRING DEVICE-KELLEMS HUBBELL INCORPORATED BRIDGEPORT, CT	
	DR. BY MJM	APP. BY GPH
	TR. BY	SCALE NONE
	CHK'D BY GPH	DATE 9/15/04

DIMENSION SHEET FOR CAT. NO. SEE TABLE
REPAIRABLE
NON-REPAIRABLE

M-9464

3