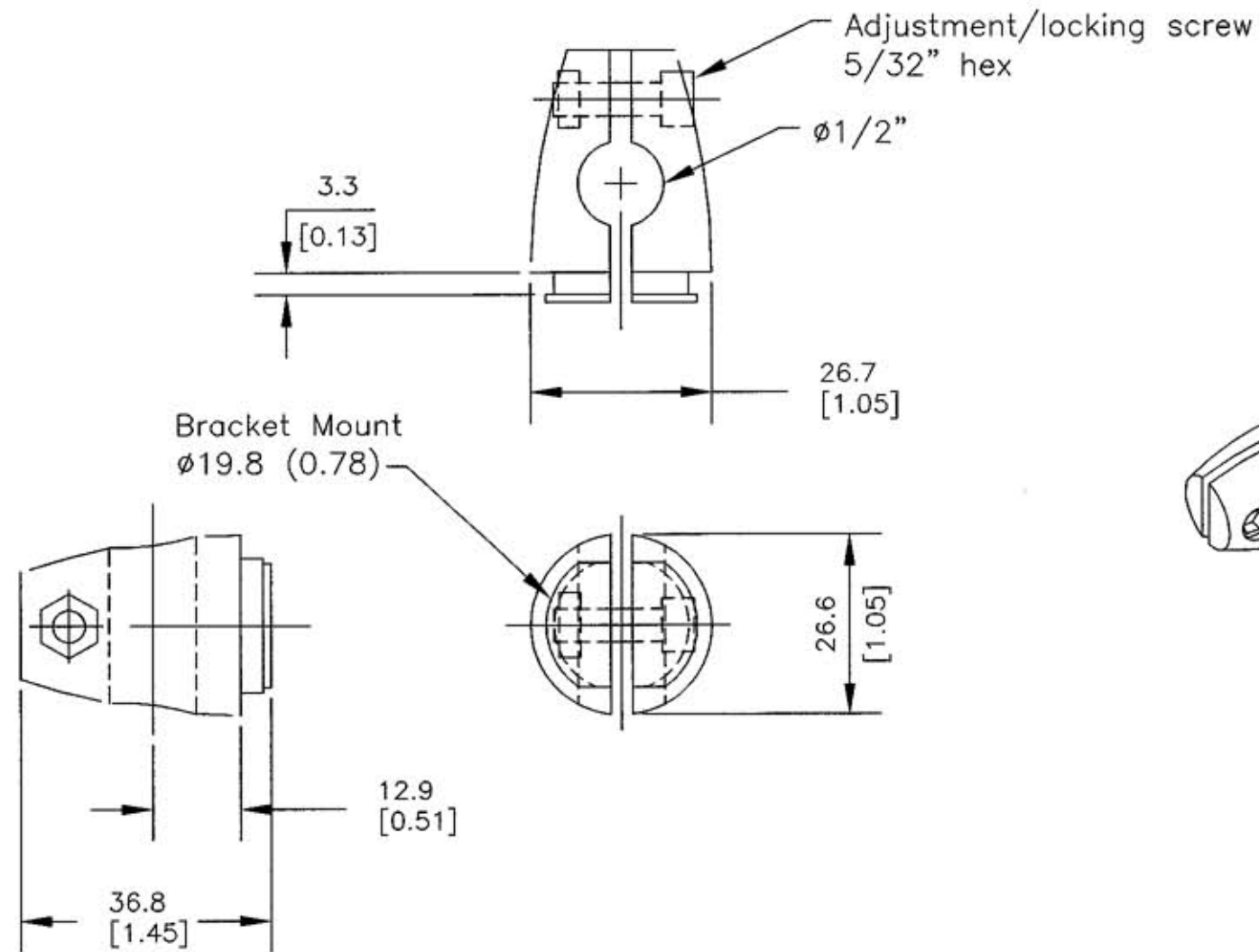


M-8808 1



LIST OF PARTS

DESCRIPTION	MATERIAL	FINISH
CLAMP	ZINC DIE CAST	
HARDWARE	STEEL	ZINC PLATED

DIMENSION SHEET FOR CAT. NO. HNSHC

REPAIRABLE NON-REPAIRABLE

1	5/8/02 "X" REMOVED; LAST "X" REVISION WAS X-0. RELEASED FOR PRODUCTION PER DCN #9320. GDR MJL	<i>MJL</i>	5/23/02
SYM	REVISIONS	APP	DATE

THE DESIGN AND DIMENSIONS OF THE PRODUCT SHOWN ON THIS DRAWING ARE SUBJECT TO CHANGE WITHOUT NOTICE

TITLE
CLAMP, HALF-KLAMP SET

TOLERANCES UNLESS OTHERWISE SPECIFIED		WIRING DEVICE-KELLEMS HUBBELL INCORPORATED BRIDGEPORT, CT	
FRACTIONS	±1/64	DR. BY	GDR
DECIMALS	±005	APP. BY	<i>MJL</i>
ANGLES	±2°	TR. BY	SCALE NONE
		CHK'D BY	DATE 5/8/02

UNLESS OTHERWISE SPECIFIED DIMENSIONS ARE IN mm (INCHES)

M-8808