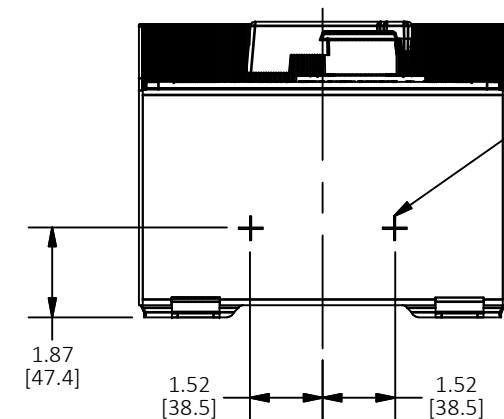
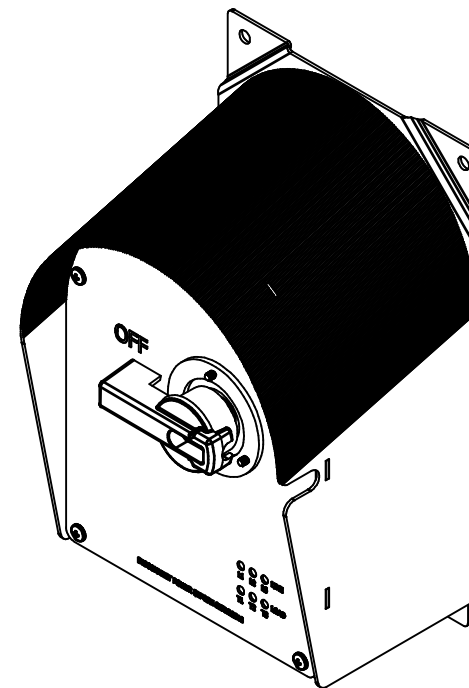
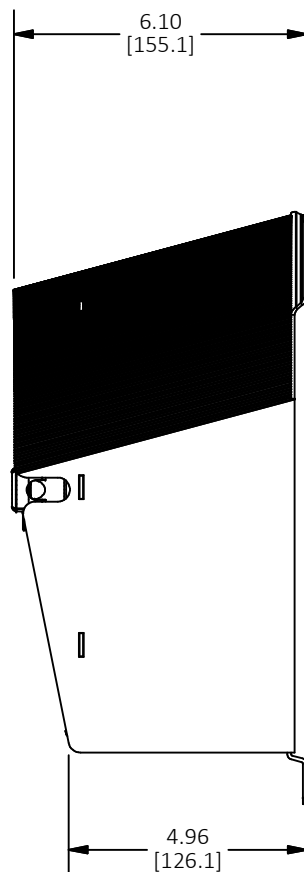
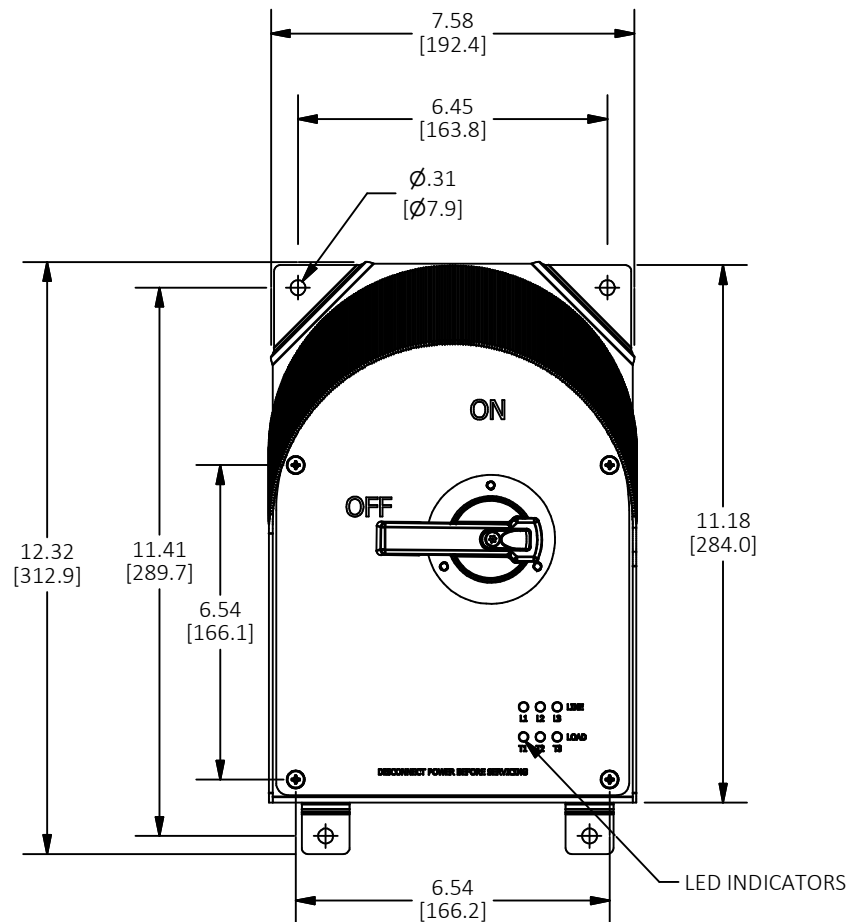


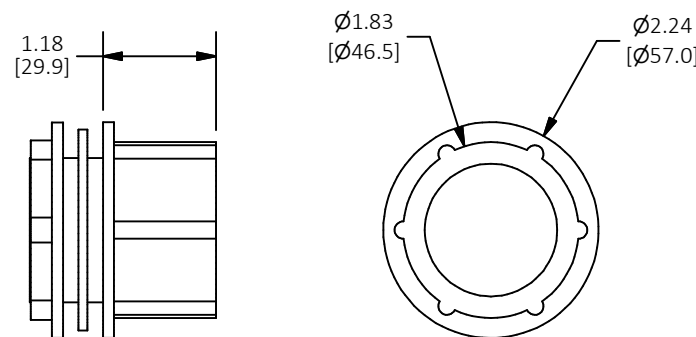
M-13887

1

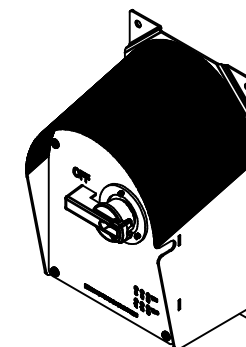


DRILL SPOTS FOR 1-1/4" NPT CONDUIT FITTING, (6) PLACES. PROVISION FOR TOP, BOTTOM, & BACK FEED. INSTALLER TO DRILL OR PUNCH Ø1-3/4 INCH (Ø44.5 mm) HOLE FOR CONDUIT FITTING.

1-1/4 INCH NPT CONDUIT FITTING, (2) INCLUDED



LIST OF PARTS		
DESCRIPTION	MATERIAL	FINISH
ENCLOSURE & HARDWARE	STAINLESS STEEL	
HANDLE & MOUNT	PBT	
GASKET	EPDM FOAM	
CONDUIT HUB	ZINC	
LED/PCBD		
LENS	PC	
GROUND BUS		



SCALE: 1/8
EMBEDED 3D CAD MODEL IN "M-13887_ACAD.dwg"

1	RELEASED PER DCN #23623 AD	TLS	06/04/18
REV	DESCRIPTION	APP	DATE

THE DESIGN AND DIMENSIONS OF THE PRODUCT SHOWN ON THIS DRAWING ARE SUBJECT TO CHANGE WITHOUT NOTICE. DIMENSIONS ARE IN INCHES [mm].

TITLE
CIRCUIT-LOCK™ 60/100 AMP STAINLESS STEEL DISCONNECT SWITCH, LED INDICATORS



WIRING DEVICE-KELLEMS
HUBBELL INCORPORATED
SHELTON, CT

TOLERANCES UNLESS OTHERWISE SPECIFIED .XX = ±.01 .XXX = ±.005 ANGLE TOL. ±2	DR. BY AD CHK. BY CAC	SCALE 1/4 DATE 03/13/18
--	--------------------------	----------------------------

CAT NO. HBLDS6SSRP (60 AMP 600 VAC)		CAT NO. HBLDS10SSRP (100 AMP 600 VAC)	
HP	VOLTAGE	HP	VOLTAGE
7.5 HP (5.6kW)	120 VAC 1 Ø	7.5 HP (5.6kW)	120 VAC 1 Ø
15 HP (11.19 kW)	200-240 VAC 1 Ø	15 HP (11.19 kW)	200-240 VAC 1 Ø
30 HP (22.37 kW)	480 VAC 1 Ø	30 HP (22.37 kW)	480 VAC 1 Ø
30 HP (22.37 kW)	200-240 VAC 3 Ø	30 HP (22.37 kW)	200-240 VAC 3 Ø
50 HP (37.28 kW)	480 VAC 3 Ø	50 HP (37.28 kW)	480 VAC 3 Ø
50 HP (37.28 kW)	600 VAC 3 Ø	50 HP (37.28 kW)	600 VAC 3 Ø

- NOTES:
1. CATALOG NUMBERS: HBLDS6SSRP, HBLDS10SSRP
2. DIMENSIONS SHOWN ARE IN INCHES [mm].
3. ENCLOSURE TYPE 4X & 12
4. cULus LISTED
5. NSF CERTIFIED AND IP69K RATING.