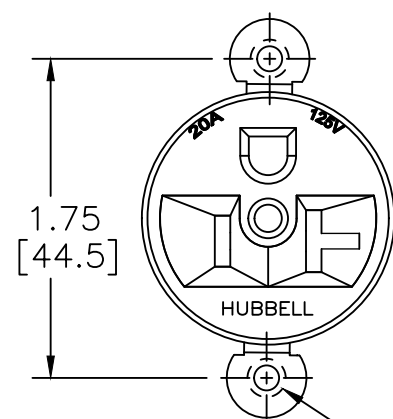
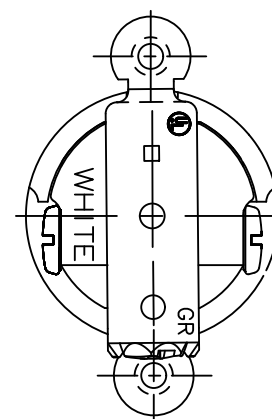
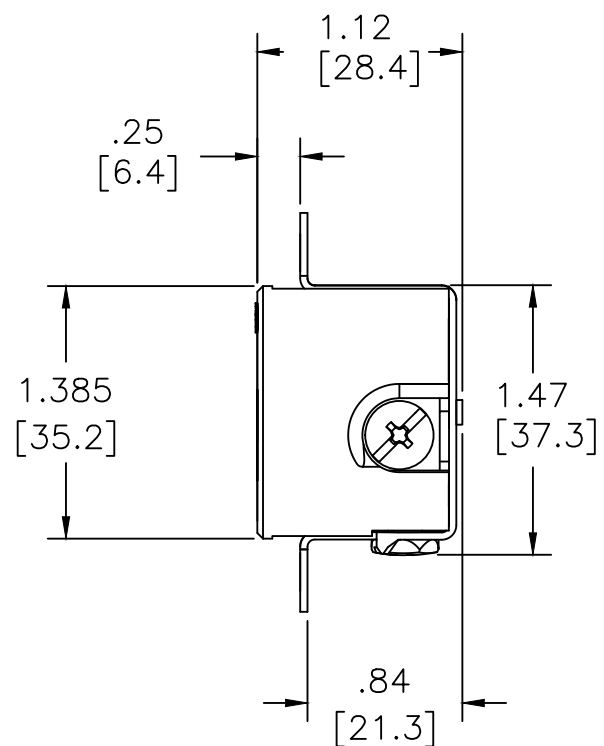


M-4936

8



#8-32 TAP  
2 HOLES



CAT. NO.	COLOR	MATERIAL
HBL5358	BROWN	PBT
HBL5358I	IVORY	PBT
HBL5358BK	BLACK	THERMOSET

NOTES:

1. WIRE CAPACITY: #16 AWG-#12 AWG, SOLID OR STRANDED COPPER WIRE ONLY.
2. ALL DIMENSIONS TO BE INCHES [mm].

CODE 74545

LIST OF PARTS

DESCRIPTION	MATERIAL	FINISH
BODY	SEE TABLE	SEE TABLE
CONTACT SPRINGS	.031 BRONZE	
BINDING SCREWS	BRASS	
HEX. HD. BIND'G SC.	BRASS	GREEN
INSULATOR	.051 PHELOLIC	
SUPPORTING STRAP	.040 C.R.S.	ZINC PL.
RIVETS	BRASS	

SUPERSEDES DWG. DATED 6/16/69

SYM	REVISIONS	APP	DATE
8	IN FRONT VIEW, T-SLOT WAS PARALLEL SLOT PER DCN 23174. MYA	DJP	6/26/17
7	TABLE ADDED MATERIAL COLUMN. REPLACED DWG. FORMAT WITH NEW TOLERANCE BLOCK. PER DCN 21032 SPN	EJM	3/4/15

THE DESIGN AND DIMENSIONS OF THE PRODUCT SHOWN ON THIS DRAWING ARE SUBJECT TO CHANGE WITHOUT NOTICE

TITLE

20A 125V 3 WIRE GROUNDING SINGLE OUTLET WITH SHORT MTG STRAP-SIDE WIRED ONLY NEMA 5-20R

TOLERANCES UNLESS OTHERWISE SPECIFIED	WIRING DEVICE-KELLEMS HUBBELL INCORPORATED SHELTON, CT	
.XX = ±.01	DR. BY ASM	APP. BY
.XXX = ±.005	TR. BY SPN	SCALE 1:1
ANGLES = ±2°	CHK. BY	DATE 3/4/15

DIMENSION SHEET FOR CAT. NO. HBL5358

REPAIRABLE

NON-REPAIRABLE

B

M-4936

8