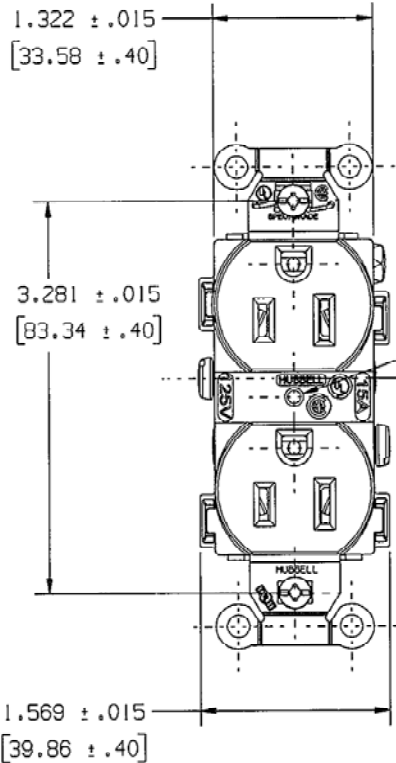
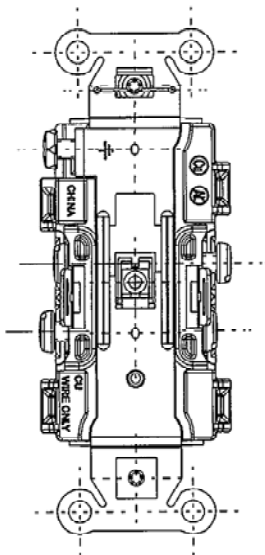
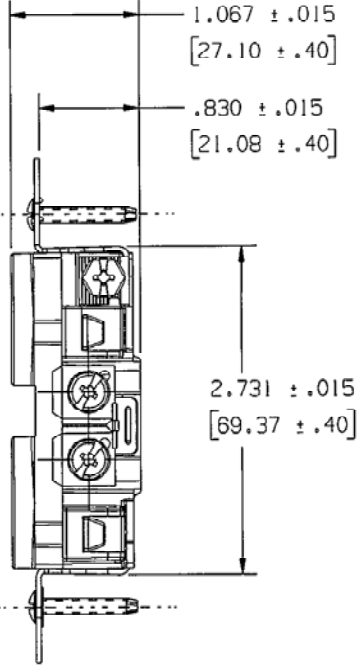


M-10316 3



#6-32 TAP



NOTES:
 1) DIMENSIONS ARE IN INCHES (MM).
 2) ALL DEVICES UL LISTED, CSA AND FED. SPEC. CERTIFIED.
 3) TERMINALS ACCOMMODATE #14-#10 AWG COPPER WIRE ONLY.

CATALOG NUMBERS

	BROWN	IVORY	GRAY	WHITE	BLACK	ALMOND	BLUE	LIGHT ALMOND	RED	ORANGE	OFFICE WHITE
HUBBELL	CR15	CR15I	CR15GRY	CR15WHI	CR15BLK	CR15AL	CR15BL	CR15LA	CR15R	-----	CR15OW

LIST OF PARTS		
DESCRIPTION	MATERIAL	FINISH
TOP	NYLON 6/6	SPI A-3
BASE	NYLON 6/6	SPI A-3
LINE CONTACTS	BRASS	
GROUND CONTACTS	BRASS	
CONTACT SCREW (NEU)	STEEL	NI PLT
CONTACT SCREW (HOT)	STEEL	
BRIDGE	.04 GALV STL	
GROUND SCREW	STEEL	GREEN
STAPLE	S.S.	
WASHER	PVC FILM	BLACK
MOUNTING SCREW	STEEL	ZINC PLT

SYM	REVISIONS	APP	DATE
3	ADDED CAT. NOS. CR15BL & CR15R TO TABLE. PER DCN 19208 DDL	DJP	11/16/12
2	ADDED CAT. NOS. CR15AL & CR15LA PER DCN# 13864	WRV	08/02/07
1	RELEASED PER DCN# 13786	WRV	03/27/07

THE DESIGN AND DIMENSIONS OF THE PRODUCT SHOWN ON THIS DRAWING ARE SUBJECT TO CHANGE WITHOUT NOTICE

TITLE HUBBELL
 15A 125V, 2P 3W,
 SMOOTH FACE DUPLEX RECEPT.
 SIDE WIRE

TOLERANCES UNLESS OTHERWISE SPECIFIED .XX : ±.01 .XXX : ±.005 ANGLES : ±2°	WIRING DEVICE KELLEMS HUBBELL INCORPORATED SHELTON, CT	
	DR. BY WRV	APP. BY
	TR. BY	SCALE 1:1
	CHK. BY	DATE 3/07

DIMENSION SHEET FOR CAT. NO.

REPAIRABLE NON-REPAIRABLE

B

M-10316

3