

Dual Technology Dimming Wall Switches

*Hubbell Adaptive Technology
Occupancy Sensors
You Don't Adapt to Them...
They Adapt to You!
Featuring 0-10V Dimming Capability*

The Hubbell Dimming Wall Switch Sensor combines dual detection (PIR and Ultrasonic) technology with the additional energy savings of 0-10V dimming. The light level can be either predetermined or the sensor can be configured to remember the last dimming setting upon occupancy. With manual override ON/OFF and dimming control, the light level can be easily adjusted to a desired set point.

The sensor features Hubbell's patented Adaptive Technology, which continuously analyzes its environment and auto adjusts the sensitivity and timer based on environmental history, eliminating the need for manual adjustment. This helps provide true maintenance free "Install and Forget" operation. Available in selectable Automatic ON/OFF or Manual ON/Automatic OFF and a Manual ON (Vacancy) only versions.



FEATURES

- Precise digital dual (PIR and Ultrasonic) detection technology wall switch sensor
- Innovative Adaptive settings technology - No manual adjustments required
- No minimum load requirement
- Zero Arc Point switching
- Compatible with IEC 60929 standard compliant ballasts/LED drivers
- Neutral required



Dual Technology Dimming Wall Switches

Adaptive Technology, Dual Technology Dimming Sensors

0-10V Dimming Capability; 120-277V AC

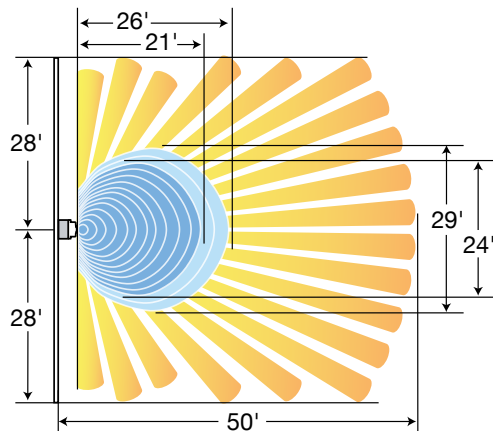
Description	Color	Catalog Number
Selectable Auto ON/Auto OFF	Gray	ADD2000GY1
Manual ON/Auto OFF	Ivory	ADD2000I1
	Light Almond	ADD2000LA1
	White	ADD2000W1
Manual ON/Auto OFF (Vacancy) Only	Gray	ADD2001GY1
	Ivory	ADD2001I1
	Light Almond	ADD2001LA1
	White	ADD2001W1



Specifications

Timer Time-outs	Auto mode: 4-20 minutes; self-adjusts based on occupancy; fixed mode: 4, 8, 15, and 20 minutes; Test mode: 5 seconds
Dimming	0-10V, Sink up to 30mA
Photocell	Natural light override range: 10–500 foot-candles
Electrical Ratings	120V AC: 800W Electronic ballast/LED driver 1,000W Magnetic ballast 277V AC: 1,200W Magnetic ballast/Electronic ballast/LED driver
Operating Environment	Indoor use only, operating temperature: 32° to 104°F (0° to 40°C), relative humidity (non-condensing): 0% to 95%
Construction	Casing; high-impact injection-molded plastic (UL-94-5V) Impact-resistant lens, color-coded leads are 6" long, wrap around galvanized steel mounting strap
Certifications	cULus Listed
Warranty	Five-year limited

Range



Wiring

