

**BALDOR® • RELIANCE** 

**Product Information Packet**

**VSWDM3538**

**.5HP, 1740RPM, 3PH, 60HZ, 56C, 3512M, TENV, F1**

Part Detail							
Revision:	K	Status:	PRD/A	Change #:		Proprietary:	No
Type:	AC	Elec. Spec:	35WGP863	CD Diagram:	CD0005	Mfg Plant:	
Mech. Spec:	35S617	Layout:	35LYS617	Poles:	04	Created Date:	04-21-2011
Base:	N	Eff. Date:	08-09-2018	Leads:	9#18		

Specs			
Catalog Number:	VSWDM3538	Insulation Class:	F
Enclosure:	TENV	Inverter Code:	Not Inverter
Frame:	56C	KVA Code:	M
Frame Material:	Stainless Steel	Lifting Lugs:	No Lifting Lugs
Output @ Frequency:	.500 HP @ 60 HZ	Locked Bearing Indicator:	Locked Bearing
Synchronous Speed @ Frequency:	1800 RPM @ 60 HZ	Motor Lead Quantity/Wire Size:	9 @ 18 AWG
Voltage @ Frequency:	460.0 V @ 60 HZ	Motor Lead Exit:	Ko Box
	230.0 V @ 60 HZ	Motor Lead Termination:	Flying Leads
XP Class and Group:	None	Motor Type:	3512M
XP Division:	Not Applicable	Mounting Arrangement:	F1
Agency Approvals:	CSA	Power Factor:	69
	UR	Product Family:	Wash Down Paint Free
Auxillary Box:	No Auxillary Box	Pulley End Bearing Type:	Sealed Bearing
Auxillary Box Lead Termination:	None	Pulley Face Code:	C-Face
Base Indicator:	No Mounting	Pulley Shaft Indicator:	Standard
Bearing Grease Type:	Polyrex EM (-20F +300F)	Rodent Screen:	None
Blower:	None	Shaft Extension Location:	Pulley End
Current @ Voltage:	.800 A @ 460.0 V	Shaft Ground Indicator:	No Shaft Grounding

	1.600 A @ 230.0 V	<b>Shaft Rotation:</b>	Reversible
	1.800 A @ 208.0 V	<b>Shaft Slinger Indicator:</b>	No Slinger
<b>Design Code:</b>	B	<b>Speed Code:</b>	Single Speed
<b>Drip Cover:</b>	No Drip Cover	<b>Motor Standards:</b>	NEMA
<b>Duty Rating:</b>	CONT	<b>Starting Method:</b>	Direct on line
<b>Electrically Isolated Bearing:</b>	Not Electrically Isolated	<b>Thermal Device - Bearing:</b>	NONE (OLD)
<b>Feedback Device:</b>	NO FEEDBACK	<b>Thermal Device - Winding:</b>	None
<b>Front Face Code:</b>	Standard	<b>Vibration Sensor Indicator:</b>	No Vibration Sensor
<b>Front Shaft Indicator:</b>	None	<b>Winding Thermal 1:</b>	None
<b>Heater Indicator:</b>	No Heater	<b>Winding Thermal 2:</b>	None

Nameplate NP1496L										
CAT.NO.	VSWDM3538									
SPEC.	35S617P863G1									
HP	.5									
VOLTS	230/460									
AMP	1.6/.8									
RPM	1740									
FRAME	56C				HZ	60			PH	3
SER.F.	1.25		CODE	M	DES	B		CLASS	F	
NEMA-NOM-EFF	80		PF	69						
RATING	40C AMB-CONT									
CC								USABLE AT 208V	1.8	
DE	6205			ODE	6203					
ENCL	TENV		SN							
	SFA 1.9/0.95									

Parts List		
Part Number	Description	Quantity
SA222181	SA 35S617P863G1	1.000 EA
RA209312	RA 35S617P863G1	1.000 EA
NS2512A01	INSULATOR, CONDUIT BOX X	1.000 EA
35CB5001A03	CONDUIT BOX KIT, FOR SUPER II WASHDOWN	1.000 EA
11XW1032G06	10-32 X .38, TAPTITE II, HEX WSHR SLTD U	1.000 EA
35EP3122D00U	MASTER ODE,203 BRG,.125NPT DRNS(BALL BUR	1.000 EA
HW4500A33	1/8 NPT STAINLESS,HOLO-KROME #13002,PRES	3.000 EA
HW5100A03	WAVY WASHER (W1543-017)	1.000 EA
35EP3307E00U	MASTER DE,205 BRG,1.623SH,.125NPT DRNS,C	1.000 EA
HW4500A33	1/8 NPT STAINLESS,HOLO-KROME #13002,PRES	3.000 EA
HW4606A02	JM CLIPPER/SEAL (LWE-0938-1624-AL23)	1.000 EA
12XN1032S20	10-32 X 1-1/4 HEX M.S. , STAINLESS STEEL	2.000 EA
HA1049A01	DUBO LOK WASHER SIZE 10 (NYLON LOCK SEAL	4.000 EA
HA1049A01	DUBO LOK WASHER SIZE 10 (NYLON LOCK SEAL	2.000 EA
HW2502D13	SS KEY, 3/16 SQ X 1.375	1.000 EA
HA7000A04	KEY RETAINER 0.625 DIA SHAFTS	1.000 EA
MJ5001A02	732 CL SEALANT 3 OZ DIXIE BEARING 289100	0.001 EA
85XU0407S04	4X1/4 U DRIVE PIN STAINLESS	2.000 EA
LB1164	LABEL,WARNING AND DRAIN	1.000 EA
HA5027A02	HA4054 T-DRAIN X2 BAGGED WITH LABEL	1.000 EA
MJ1000A02	GREASE, POLYREX EM EXXON (USe 4824-15A)	0.050 LB
HA3100S12	THRUBOLT 7.625 LENGTH 1.250 TH LENGTH SS	4.000 EA
LC0005	CONN.DIA.,TY M,9-LD,DUAL VOLT,REVERSING	1.000 EA
NP1496L	SS WD UL CSA CC	1.000 EA

<b>Parts List (continued)</b>		
<b>Part Number</b>	<b>Description</b>	<b>Quantity</b>
35PA1066	PKG GRP, PRINT PK1008A06	1.000 EA
PK3082	STYROFOAM CRADLE	1.000 EA
MN416A01	TAG-INSTAL-MAINT no wire (1200/bx) 5/18	1.000 EA

**AC Induction Motor Performance Data**

Record # 36575 - Typical performance - not guaranteed values

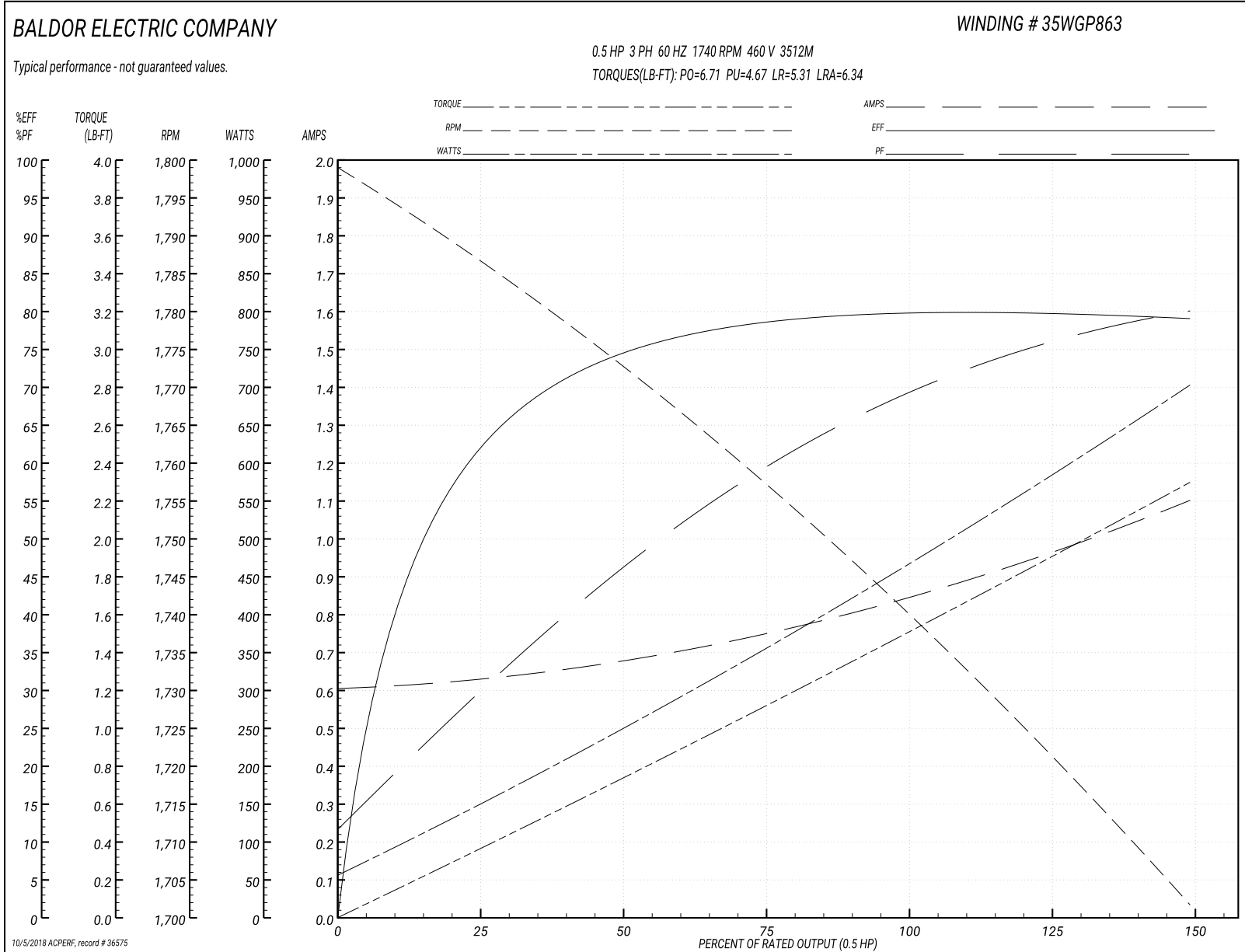
<b>Winding:</b> 35WGP863-R016	<b>Type:</b> 3512M	<b>Enclosure:</b> TENV
-------------------------------	--------------------	------------------------

Nameplate Data				460 V, 60 Hz: High Voltage Connection	
Rated Output (HP)	.5			Full Load Torque	1.49 LB-FT
Volts	230/460			Start Configuration	direct on line
Full Load Amps	1.6/.8			Breakdown Torque	6.71 LB-FT
R.P.M.	1740			Pull-up Torque	4.67 LB-FT
Hz	60	Phase	3	Locked-rotor Torque	5.31 LB-FT
NEMA Design Code	B	KVA Code	M	Starting Current	6.34 A
Service Factor (S.F.)	1.25			No-load Current	0.608 A
NEMA Nom. Eff.	80	Power Factor	69	Line-line Res. @ 25°C	34 Ω
Rating - Duty	40C AMB-CONT			Temp. Rise @ Rated Load	54°C
S.F. Amps	1.9/0.95			Temp. Rise @ S.F. Load	65°C
				Locked-rotor Power Factor	74
				Rotor inertia	0.0709 LB-FT <sup>2</sup>

Load Characteristics 460 V, 60 Hz, 0.5 HP

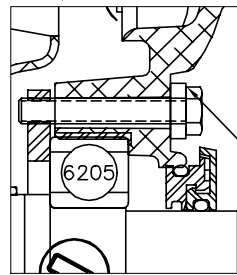
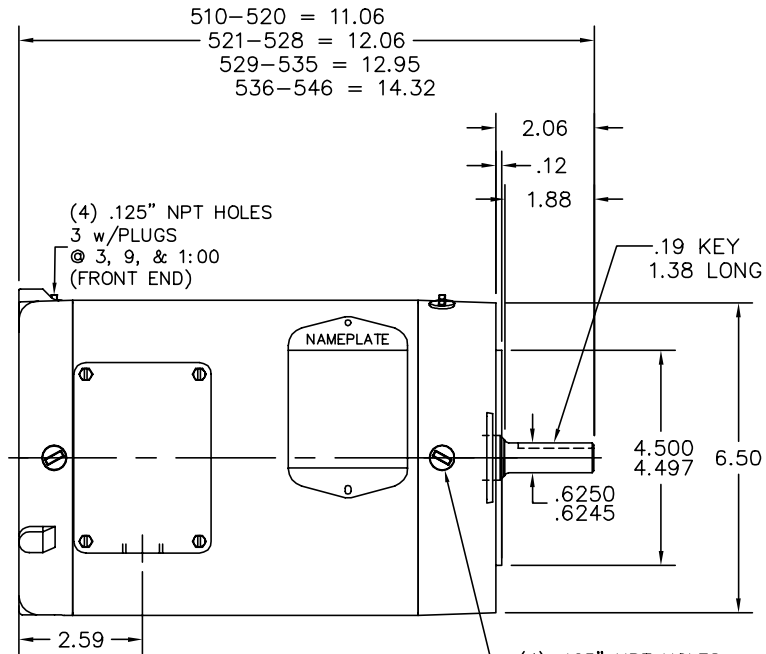
% of Rated Load	25	50	75	100	125	150	S.F.
Power Factor	28	45	59	69	75	80	75
Efficiency	59.5	73.1	78.5	80	80.1	78.9	80.1
Speed	1788	1774	1759	1741	1722	1702	1722
Line amperes	0.624	0.669	0.744	0.844	0.957	1.1	0.957

Performance Graph at 460V, 60Hz, 0.5HP Typical performance - Not guaranteed values





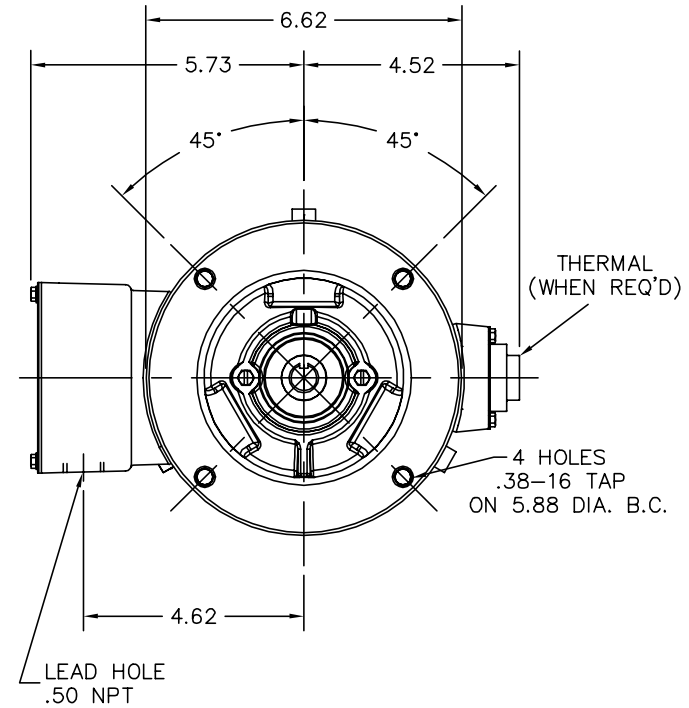
35LYS617



PULLEY END DETAIL

(4) .125" NPT HOLES  
 3 w/PLUGS  
 @ 3, 9, & 11:00  
 (PULLEY END)

INSTALL DUBOLOK WASHER  
 UNDER RETAINER RING  
 SCREW HEAD



CUSTOMER IS RESPONSIBLE FOR DETERMINING THAT BALDOR'S PRODUCT WILL PERFORM SUITABLY IN THE INTENDED APPLICATION.

REV. DESC: UPDATE ENDPLATES AND NOTES		
REV. LTR: C	VERSION: 03	TDR: 000001080440
FILE: \AAA\00093\115	REVISED: 11:28:29 08/03/2018	BY: FPJFQ
MTL: -		

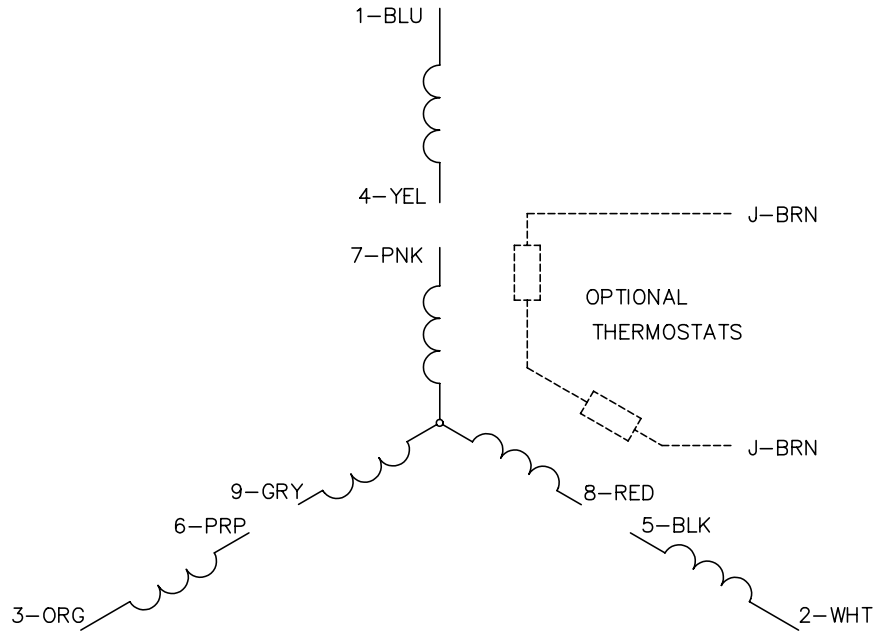
**BALDOR - RELIANCE®**

VERT 56C TENV 35M WD2 (PAINT FREE)

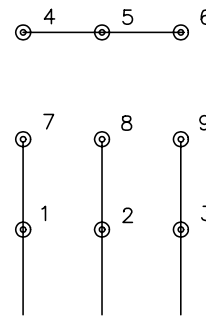
SH 1 of 1

35LYS617

CD0005

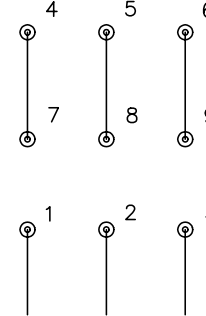


LOW VOLTAGE  
(2Y)



LINE

HIGH VOLTAGE  
(1Y)



LINE

NOTES:

1. INTERCHANGE ANY TWO LINE LEADS TO REVERSE ROTATION.
2. OPTIONAL THERMOSTATS ARE PROVIDED WHEN SPECIFIED.
3. ACTUAL NUMBER OF INTERNAL PARALLEL CIRCUITS MAY BE A MULTIPLE OF THOSE SHOWN ABOVE.
4. LEAD COLORS ARE OPTIONAL. LEADS MUST ALWAYS BE NUMBERED AS SHOWN.

REV. DESC: REVISE TO SHOW OPTIONAL COLORS			
REV. LTR: E	BY: JLP	REVISED: 01/19/99 10:15	TDR: 0171435
900000		FILE: AAA00005140	MDL: -
		MTL: -	

**BALDOR ELECTRIC Co.**

3PH, DV, 9 LEADS

CD0005