

BALDOR® • RELIANCE

Product Information Packet

VL1317

2HP,3450RPM,1PH,60HZ,56C,3528L,OPEN,F1

Part Detail							
Revision:	AP	Status:	PRD/A	Change #:		Proprietary:	No
Type:	AC	Prod. Type:	3528L	Elec. Spec:	35WG0184	CD Diagram:	CD0001
Enclosure:	ODTF	Mfg Plant:		Mech. Spec:	35D015	Layout:	35LYD015
Frame:	56C	Mounting:	F1	Poles:	02	Created Date:	06-21-2007
Base:	N	Rotation:	R	Insulation:	B	Eff. Date:	08-08-2014
Leads:	4#14 A PH,2#18 B PH					Replaced By:	
Literature:		Elec. Diagram:					

Nameplate NP1256L							
CAT.NO.	VL1317						
SPEC.	35D15-184						
HP	2						
VOLTS	115/230						
AMP	26/13						
RPM	3450						
FRAME	56C	HZ	60	PH	1		
SER.F.	1.15	CODE	G	DES	L	CLASS	B
NEMA-NOM-EFF	70	PF	75				
RATING	40C AMB-CONT						
CC		USABLE AT 208V	12.4				
DE	6205	ODE	6203				
ENCL	ODTF	SN					

Parts List		
Part Number	Description	Quantity
SA022654	SA 35D15-184	1.000 EA
RA018704	RA 35D15-184	1.000 EA
EC1850A06SP	ELEC CAP 115V 2.0 X 4.3 X	1.000 EA
NS2512A01	INSULATOR, CONDUIT BOX X	1.000 EA
35CB3007	35 CB CASTING W/.88 DIA. LEAD HOLE	1.000 EA
51XB1016A07	10-16 X 7/16 HXWSSLD SERTYB	2.000 EA
11XW1032G06	10-32 X .38, TAPTITE II, HEX WSHR SLTD U	1.000 EA
35EP3201A04SP	SPL FR EP-OPEN-35L OR M -203 BRG-W/DRIP	1.000 EA
SP1006A01	TERM. BOARD, MODE 35 SW X H-23655	1.000 EA
51XW0832A07	8-32 X .44, TAPTITE II, HEX WSHR SLTD SE	2.000 EA
NS2501A01	INSULATOR, CAPACITOR	1.000 EA
51XB1016A05	10-16X5/16HX WA SL SR TYB (F/S)	2.000 EA
HW5100A03SP	WAVY WASHER (W1543-017)	1.000 EA
35EP3400A13	STD FACE MTD END PLATE OPEN NEMA 56C 05	1.000 EA
35AD2000	AIR BAFFLE	1.000 EA
60XW0632A06	6-32 X 3/8 TORX HEAD SCREW TAPTITE II	4.000 EA
51XN1032A20	10-32 X 1 1/4 HX WS SL SR	2.000 EA
51XB1214A16	12-14X1.00 HXWSSLD SERTYB	1.000 EA
35FH4006A01SP	DRIP COVER,STAMPED,W/ AUTOPHERETIC	1.000 EA
51XW1032A06	10-32 X .38, TAPTITE II, HEX WSHR SLTD S	3.000 EA
35CB4521	35 LIPPED CB LID (GALV & PHOSPH)	1.000 EA
51XW0832A07	8-32 X .44, TAPTITE II, HEX WSHR SLTD SE	4.000 EA
HW2501D13SP	KEY, 3/16 SQ X 1.375	1.000 EA
HA7000A04	KEY RETAINER 0.625 DIA SHAFTS	1.000 EA

Parts List (continued)		
Part Number	Description	Quantity
85XU0407S04	4X1/4 U DRIVE PIN STAINLESS	2.000 EA
WD1000A15	3-520132-2 AMP FLAG (4M/RL NON-CANC/NON-	2.000 EA
MJ1000A75	GREASE, POLYREX EM EXXON (USe 4824-15A)	0.050 LB
34FN3002A01SP	EXTERNAL FAN, PLASTIC, .637/.639 HUB W/	1.000 EA
MG1000G27	MED CHARCOAL METALLIC GREY	0.017 GA
SP5055A67	MODEL 35 TYPE L STATIONARY SWITCH	1.000 EA
35CB4802A02SP	CAPACITOR COVER, STAMPED X W/AUTOPHORET	1.000 EA
35CB4802A02SP	CAPACITOR COVER, STAMPED X W/AUTOPHORET	1.000 EA
HA3100A15	THRUBOLT 10-32 X 8.375	4.000 EA
LB1125C01	STD (STOCK) CARTON LABEL BALDOR WITH FLA	1.000 EA
LC0001A01	CONN LABEL / WARNING LABEL (LC0001 / LB1	1.000 EA
MN416A01	TAG-INSTAL-MAINT no wire (1200/bx) 10/13	1.000 EA
NP1256L	ALUM UL CSA CC	1.000 EA
35PA1066	PACKING GROUP COMBINED PRINT	1.000 EA
PK3082	STYROFOAM CRADLE	1.000 EA

AC Induction Motor Performance Data
Record # 8046 - Typical performance - not guaranteed values

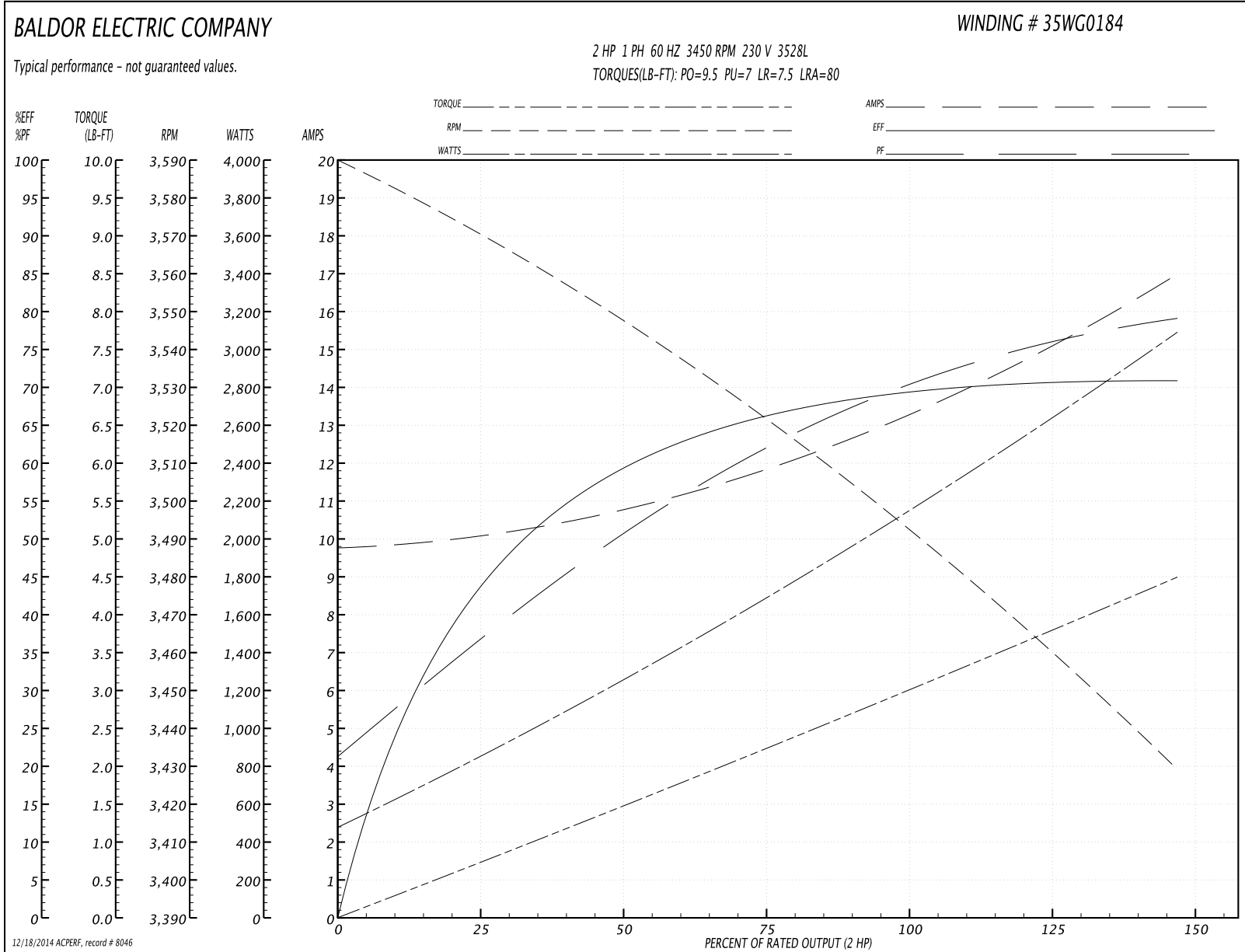
Winding: 35WG0184-R001	Type: 3528L	Enclosure: OPEN
-------------------------------	--------------------	------------------------

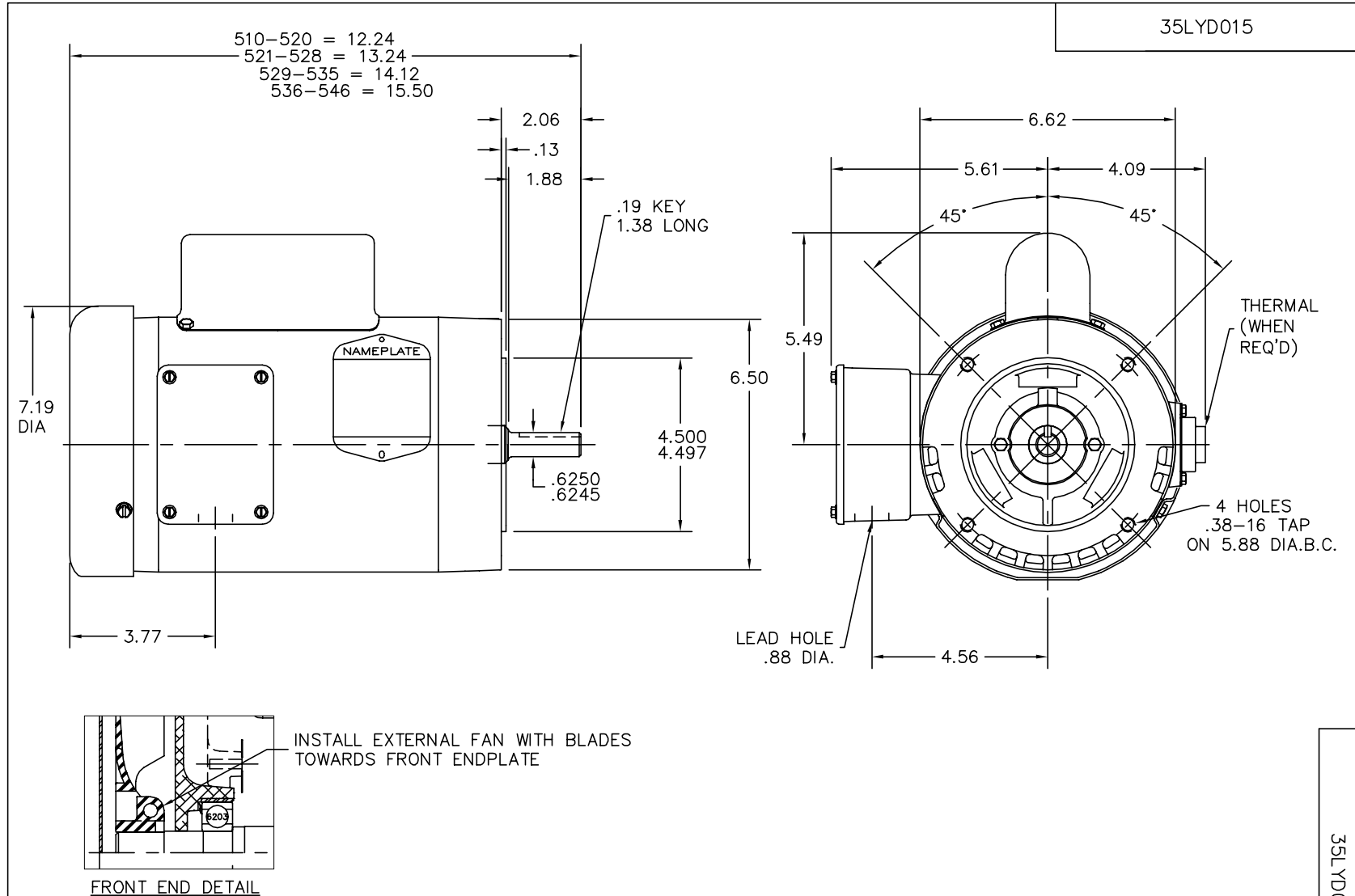
Nameplate Data				230 V, 60 Hz: High Voltage Connection	
Rated Output (HP)	2			Full Load Torque	3 LB-FT
Volts	115/230			Start Configuration	direct on line
Full Load Amps	26/13			Breakdown Torque	9.5 LB-FT
R.P.M.	3450			Pull-up Torque	7 LB-FT
Hz	60	Phase	1	Locked-rotor Torque	7.5 LB-FT
NEMA Design Code	L	KVA Code	G	Starting Current	80 A
Service Factor (S.F.)	1.15			No-load Current	9.75 A
NEMA Nom. Eff.	70	Power Factor	75	Line-line Res. @ 25°C	1.06 Ω A Ph 1.06 Ω B Ph
Rating - Duty	40C AMB-CONT			Temp. Rise @ Rated Load	56°C
S.F. Amps				Temp. Rise @ S.F. Load	78°C

Load Characteristics 230 V, 60 Hz, 2 HP

% of Rated Load	25	50	75	100	125	150	S.F.
Power Factor	37	51	62	70	77	81	0
Efficiency	43.8	59.3	66.3	69.6	70.8	70.7	0
Speed	3569	3546	3521	3494	3463	3428	0
Line amperes	10.1	10.8	11.9	13.2	15	17	14.3

Performance Graph at 230V, 60Hz, 2.0HP Typical performance - Not guaranteed values





CUSTOMER IS RESPONSIBLE FOR DETERMINING THAT BALDOR'S PRODUCT WILL PERFORM SUITABLY IN THE INTENDED APPLICATION.

REV. DESC: UPDATE KOLD GRAPHICS		
REV. LTR: L	VERSION: 05	TDR: 000000486011
FILE: \AAA\00004\983		REVISED: 14:16:45 12/31/2008
MTL: -		BY: ENCHEBO

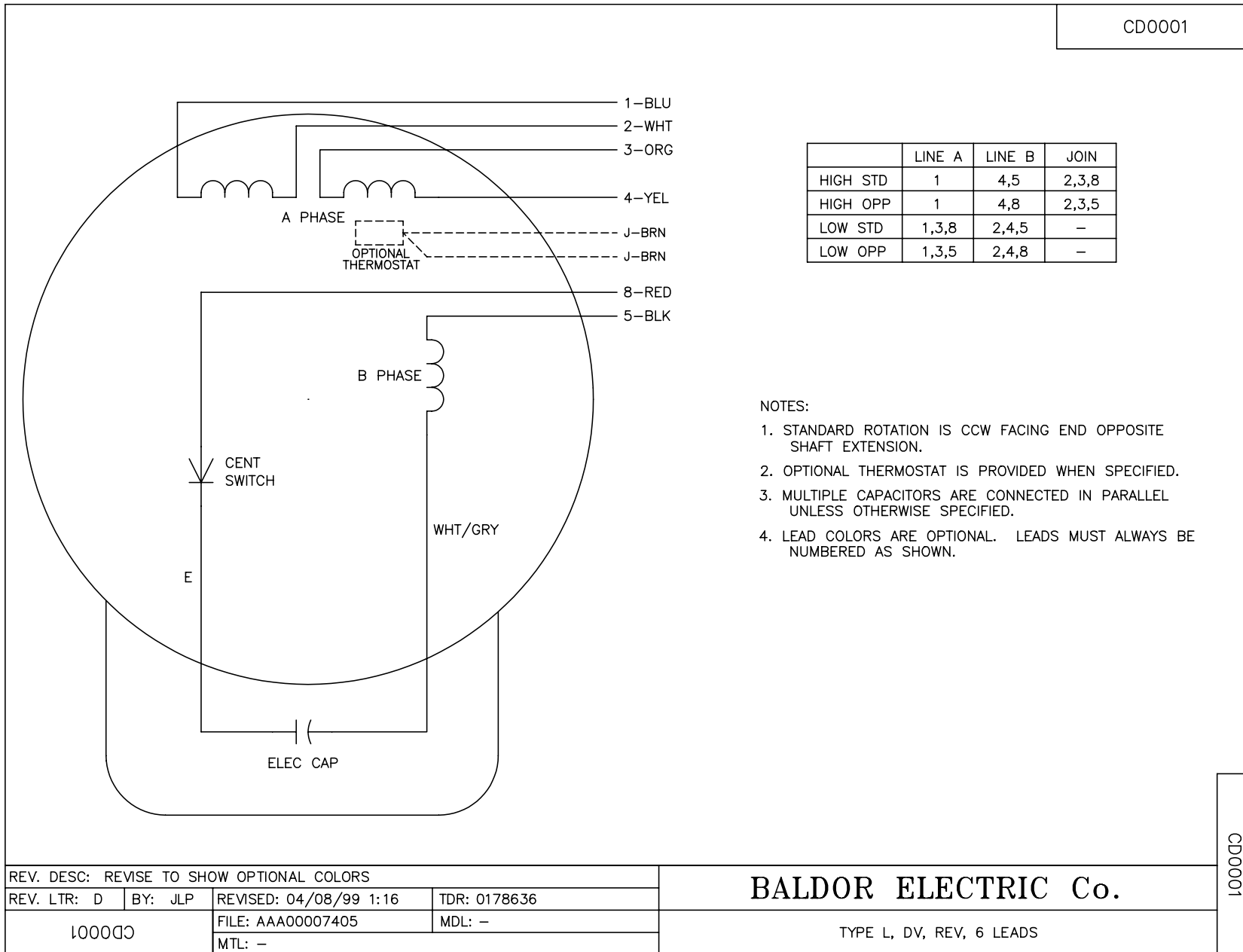
BALDOR • DODGE • RELIANCE

STD VERT 56C ODTF 35L

SH 1 of 1

35LYD015

CD0001



REV. DESC: REVISE TO SHOW OPTIONAL COLORS			
REV. LTR: D	BY: JLP	REVISED: 04/08/99 1:16	TDR: 0178636
100000		FILE: AAA00007405	MDL: -
		MTL: -	

BALDOR ELECTRIC Co.

TYPE L, DV, REV, 6 LEADS

CD0001