

BALDOR® • RELIANCE 

Product Information Packet

VECP3581T-4

1HP,1765RPM,3PH,60HZ,143TC,0524M,TEFC,F1

Part Detail							
Revision:	Q	Status:	PRD/A	Change #:		Proprietary:	No
Type:	AC	Elec. Spec:	05WGW751	CD Diagram:	CD0006	Mfg Plant:	
Mech. Spec:	05F006	Layout:	05LYF006	Poles:	04	Created Date:	02-20-2011
Base:	N	Eff. Date:	10-04-2018	Leads:	3#18		

Specs			
Catalog Number:	VECP3581T-4	Insulation Class:	F
Enclosure:	TEFC	Inverter Code:	Inverter Ready
Frame:	143TC	KVA Code:	N
Frame Material:	Iron	Lifting Lugs:	No Lifting Lugs
Output @ Frequency:	1.000 HP @ 60 HZ	Locked Bearing Indicator:	Locked Bearing
Synchronous Speed @ Frequency:	1800 RPM @ 60 HZ	Motor Lead Quantity/Wire Size:	3 @ 18 AWG
Voltage @ Frequency:	460.0 V @ 60 HZ	Motor Lead Exit:	Ko Box
XP Class and Group:	CLI GP A,B,C,D	Motor Lead Termination:	Flying Leads
XP Division:	Division II	Motor Type:	0524M
Agency Approvals:	CSA EEV	Mounting Arrangement:	F1
	UR	Power Factor:	70
	CSA	Product Family:	Chemical Processing (Not DC)
	CCSA US	Pulley End Bearing Type:	Ball
Auxillary Box:	No Auxillary Box	Pulley Face Code:	C-Face
Auxillary Box Lead Termination:	None	Pulley Shaft Indicator:	Standard
Base Indicator:	No Mounting	Rodent Screen:	None
Bearing Grease Type:	Polyrex EM (-20F +300F)	Shaft Extension Location:	Pulley End
Blower:	None	Shaft Ground Indicator:	No Shaft Grounding

Constant Torque Speed Range:	1.2	Shaft Rotation:	Reversible
Current @ Voltage:	1.500 A @ 460.0 V	Shaft Slinger Indicator:	Shaft Slinger
Design Code:	B	Speed Code:	Single Speed
Drip Cover:	Drip Cover	Motor Standards:	NEMA
Duty Rating:	CONT	Starting Method:	Direct on line
Electrically Isolated Bearing:	Not Electrically Isolated	Thermal Device - Bearing:	NONE (OLD)
Feedback Device:	NO FEEDBACK	Thermal Device - Winding:	None
Front Face Code:	Standard	Vibration Sensor Indicator:	No Vibration Sensor
Front Shaft Indicator:	None	Winding Thermal 1:	None
Heater Indicator:	No Heater	Winding Thermal 2:	None
		XP Temp Code:	T4

Nameplate NP3258E

CAT.NO.	VECP3581T-4			
SPEC.	05F006W751G1			
HP	1	TE		
VOLTS	460			
AMP	1.5			
RPM	1765			
FRAME	143TC	HZ	60	
SER.F.	1.15	CODE	N	
RATING	40C AMB-CONT		DES	B
SN				
DE	6205	ODE	6205	
NEMA-NOM-EFF	87.5	PF	70	
G.MIN.EFF	85.5	CC	010A	
T. CODE	T4	T=	135	

PH 3
CL F

Nameplate NP3261E			
SPEC.	05F006W751G1		
D.E. BRG.	25BC02XP30X		
O.D.E. BRG.	25BC02XP30X		
GREASE	POLYREX EM		
RPM MAX	2700	MAX. KVAR	N/A
BLANK			
INV. TYPE	PWM		
T=	135		
C HP FR	60		
CT HZ FROM	1.2		
VT HZ FROM	0-		
HTR-VOLTS			
HTR-WATTS			
C HP TO	90		
CT HZ TO	60		
VT HZ TO	60		
HTR-AMPS			
MAX. SPACE HEATER TEMP.			

Parts List		
Part Number	Description	Quantity
SA217860	SA 05F006W751G1	1.000 EA
RA205039	RA 05F006W751G1	1.000 EA
34FN3002B01	EXTERNAL FAN, PLASTIC, .637/.639 HUB W/	1.000 EA
06CB1000A02G	CONDUIT BOX, MACH GRAY	1.000 EA
RM1016	LEAD SEPARATOR GASKET - 305/306 C.P.MOTO	1.000 EA
51XW2520A12	SCREW, HEX SER SLT HD, ZN, 1/4-20 X .75	2.000 EA
11XW1032G06	10-32 X .38, TAPTITE II, HEX WSHR SLTD U	1.000 EA
HW3001B01	BRASS CUP WASHER, FOR #10 SCREW	1.000 EA
10XN2520S06	1/4 20X3/8 HX HD CAP S.S.	2.000 EA
WD1000B16	T&B CX70TN TERMINAL	1.000 EA
35EP1102B03G	FREP TEFC 205 BRG,GRSR,RLF,.125 NPT DRAI	1.000 EA
HW4500A19	1/4-28X1/4 SLOTTED PLUG F/S	1.000 EA
HW4500A17	317400 ALEMITE GREASE RELIEF	1.000 EA
HA4054	SHORT T-DRAIN FITTING, .125" N.P.T.	1.000 EA
HW5100A05	WVY WSHR F/205 & 304 BRGS	1.000 EA
35EP1329A16G	PUEP ENCL 143-5TC 205 BRG,GRSR,RLF,NPT D	1.000 EA
HW4500A19	1/4-28X1/4 SLOTTED PLUG F/S	1.000 EA
HW4500A17	317400 ALEMITE GREASE RELIEF	1.000 EA
HA4054	SHORT T-DRAIN FITTING, .125" N.P.T.	1.000 EA
51XN1032A20	10-32 X 1 1/4 HX WS SL SR	2.000 EA
06CB1502A01G	LIPPED CONDUIT BOX LID, MACH GRAY EPOXY	1.000 EA
HA3100A28	THRUBOLT 10-32 X 8.187	4.000 EA
51XB1214A16	12-14X1.00 HXWSSLD SERTYB	1.000 EA
35FH1000A04G	FAN COVER 35FH1000 - (GRAY)	1.000 EA

Parts List (continued)		
Part Number	Description	Quantity
10XN2520A18	1/4-20 X 1-1/8 HEX CAP SCREW.	3.000 EA
HW1001A25	LOCKWASHER 1/4, ZINC PLT .493 OD, .255 I	3.000 EA
HW4600B32SP	V-RING SLINGER 1.000 X 1.540 X .24 VITON	1.000 EA
WD4100A03	DE-750 HEYCO PLUG 62MP0750 MICRO PLASTIC	1.000 EA
35FH4500A01	DRIP COVER, STAMPED X - W/PRIMED	1.000 EA
HA2001A13	35-10103 SPACER WELKER	3.000 EA
51XN1032A20	10-32 X 1 1/4 HX WS SL SR	3.000 EA
06GS1003	GASKET, KOBX LID, 1/8" THICK BLACK NEOPR	1.000 EA
10XN2520A12	O1/4-20X 3/4 HEX HEAD CAP	2.000 EA
HW1001A25	LOCKWASHER 1/4, ZINC PLT .493 OD, .255 I	2.000 EA
HA1005A03SP	SLINGER, OD 1.750, ID .938, 205 BRG	1.000 EA
HW2501D13	KEY, 3/16 SQ X 1.375	1.000 EA
HA7000A01	KEY RETAINER 7/8" DIA SHAFT	1.000 EA
MJ5001A27	32220KN GRAY SEALER *MIN BUY 4 QTS=1GAL	0.001 QT
85XU0407S04	4X1/4 U DRIVE PIN STAINLESS	2.000 EA
LB1002N	LABEL,MARINE DUTY (ON ROLLS)	1.000 EA
MJ1000A02	GREASE, POLYREX EM EXXON (USe 4824-15A)	0.050 LB
MG1025N19	WILKOFASST, 778.50, RELIANCE BLUE-GREEN	0.022 GA
LB1119N	WARNING LABEL	1.000 EA
LC0006	CONNECTION LABEL	1.000 EA
LB1449	DIV-2/NEC WARNING LABEL	1.000 EA
NP3258E	SS CP SUPER-E DIV-2 UL CSA-C US EEV CC	1.000 EA
NP3261E	SS CP SUPER-E AUX DATA INFORMATION	1.000 EA
85XU0407S04	4X1/4 U DRIVE PIN STAINLESS	2.000 EA

Product Information Packet: VECP3581T-4 - 1HP,1765RPM,3PH,60HZ,143TC,0524M,TEFC,F1

36PA1000	PKG GRP, PRINT PK1016A06	1.000 EA
PK3082	STYROFOAM CRADLE	1.000 EA
MN416A01	TAG-INSTAL-MAINT no wire (1200/bx) 5/18	1.000 EA

AC Induction Motor Performance Data

Record # 61030 - Typical performance - not guaranteed values

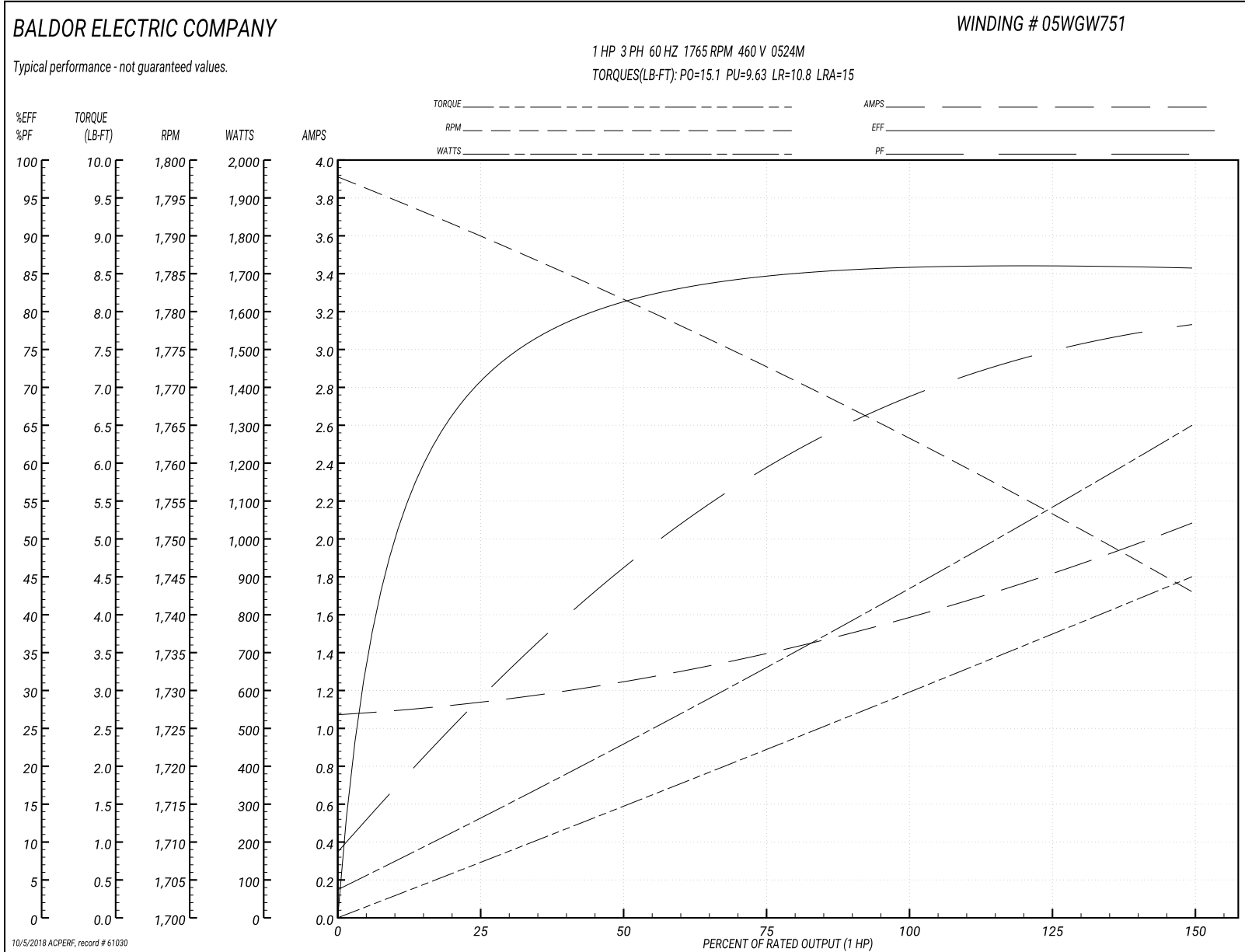
Winding: 05WGW751-R098	Type: 0524M	Enclosure: TENV
-------------------------------	--------------------	------------------------

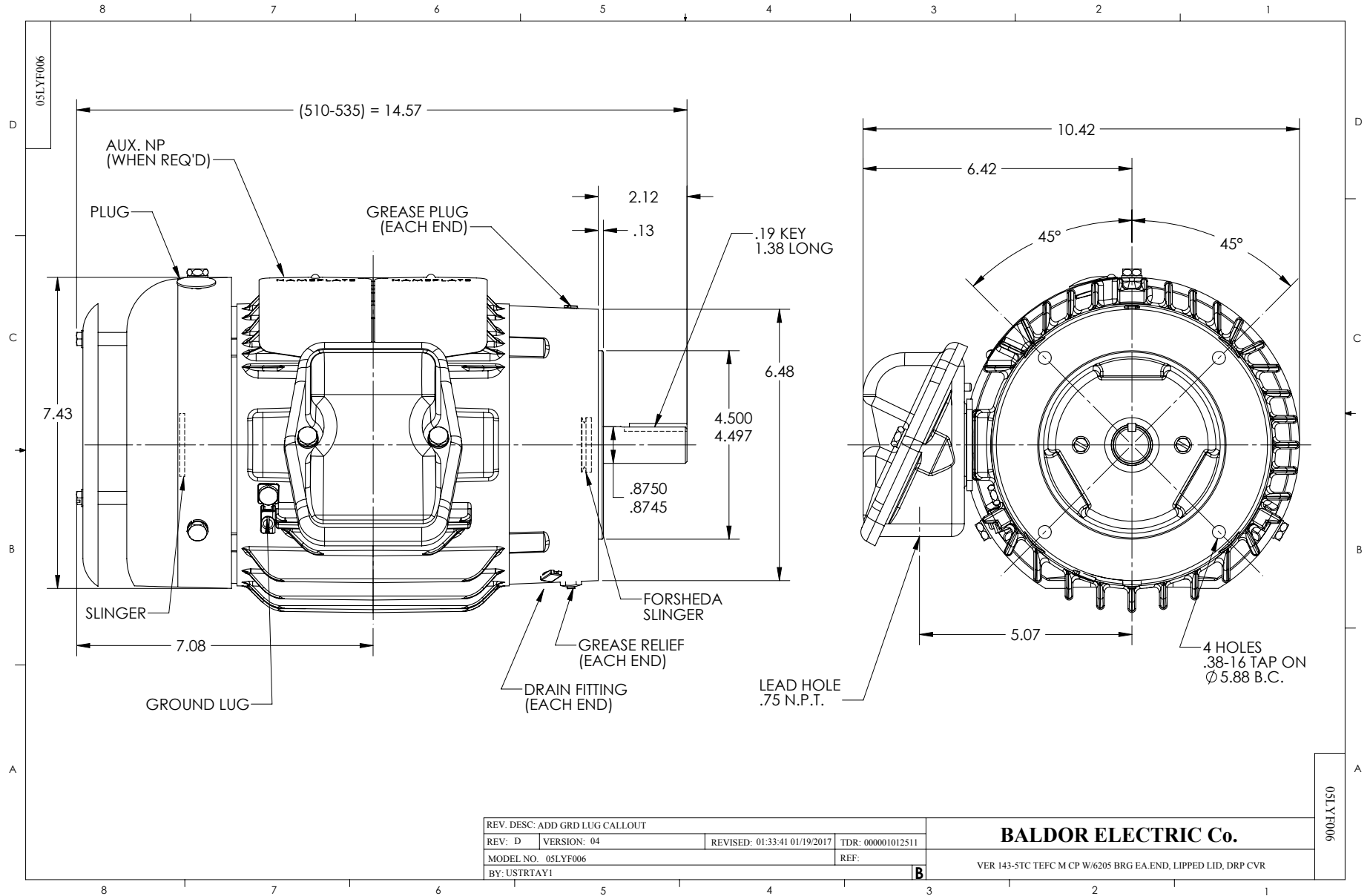
Nameplate Data				460 V, 60 Hz: Single Voltage Motor	
Rated Output (HP)	1			Full Load Torque	2.983 LB-FT
Volts	460			Start Configuration	direct on line
Full Load Amps	1.5			Breakdown Torque	15.1 LB-FT
R.P.M.	1765			Pull-up Torque	9.63 LB-FT
Hz	60	Phase	3	Locked-rotor Torque	10.8 LB-FT
NEMA Design Code	B	KVA Code	N	Starting Current	15 A
Service Factor (S.F.)	1.15			No-load Current	1.08 A
NEMA Nom. Eff.	87.5	Power Factor	70	Line-line Res. @ 25°C	11.599 Ω
Rating - Duty	40C AMB-CONT			Temp. Rise @ Rated Load	59°C
S.F. Amps				Temp. Rise @ S.F. Load	66°C
				Locked-rotor Power Factor	48.9

Load Characteristics 460 V, 60 Hz, 1 HP

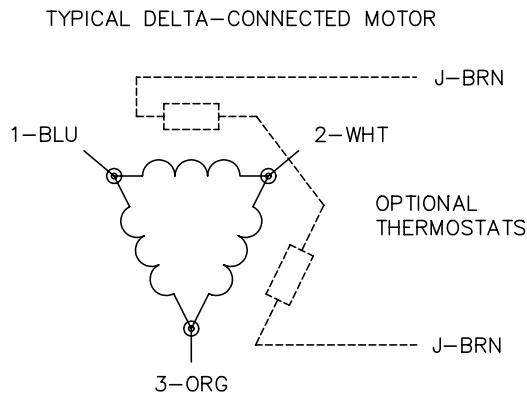
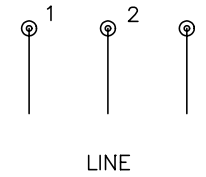
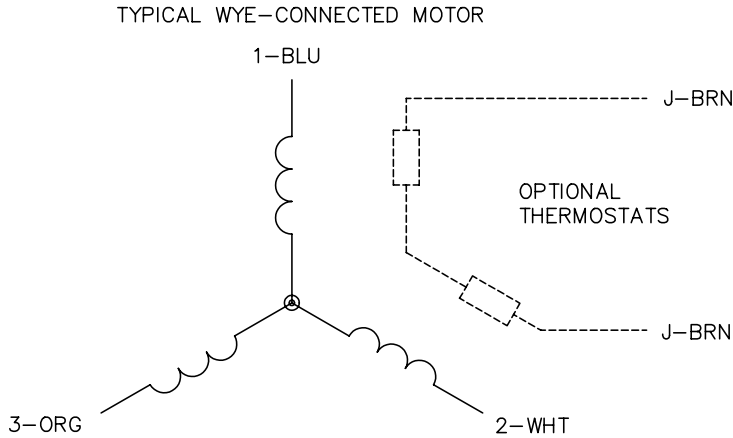
% of Rated Load	25	50	75	100	125	150	S.F.
Power Factor	30	47	59	68	75	79	72
Efficiency	70.8	81.2	84.6	85.9	86.2	85.7	86.1
Speed	1789.8	1781.4	1773.1	1763.3	1753.7	1742.9	1758
Line amperes	1.13	1.24	1.39	1.6	1.81	2.08	1.73

Performance Graph at 460V, 60Hz, 1.0HP Typical performance - Not guaranteed values





CD0006



NOTES:

1. THREE LEAD MOTOR MAY BE EITHER WYE CONNECTED OR DELTA CONNECTED.
2. INTERCHANGE ANY TWO LINE LEADS TO REVERSE ROTATION.
3. OPTIONAL THERMOSTATS ARE PROVIDED WHEN SPECIFIED.
4. ACTUAL NUMBER OF INTERNAL PARALLEL CIRCUITS MAY VARY.
5. LEAD COLORS ARE OPTIONAL. LEADS MUST BE NUMBERED AS SHOWN.

REV. DESC: REVISE TO SHOW OPTIONAL COLORS			
REV. LTR: D	BY: JLP	REVISED: 01/21/99 4:02	TDR: 0171435
9000D		FILE: AAA00005141	MDL: -
		MTL: -	

BALDOR ELECTRIC Co.

3PH, SV, 3 LEADS, WYE OR DELTA CONNECTED

CD0006