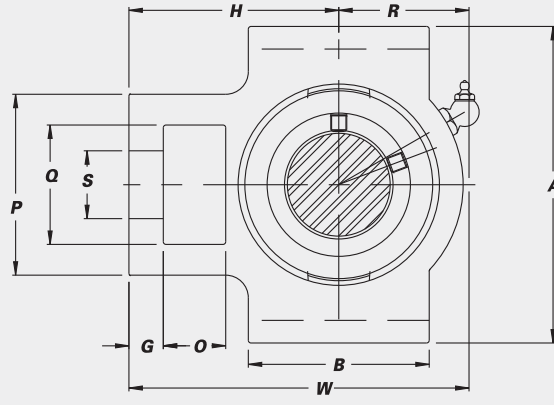
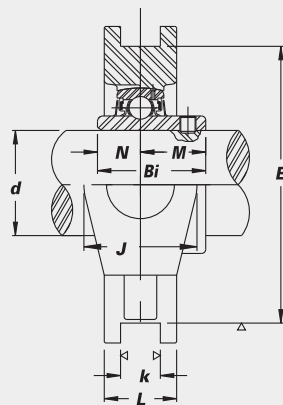


# UCTX Take Up Units



**Wide slot, medium duty with set screw lock.**

- Wide inner race bearing with greater load carrying capacity than standard duty
- Cast iron housing
- B-type seals
- L3-type seals available in some sizes



Unit No.	Shaft Dia.		Dimensions (in.) (mm)															Bearing No.	Housing No.	Weight (lbs.)		
	d (in.)	d (mm)	O	G	P	Q	S	B	K	E	A	W	J	L	R	H	Bi				N	M
UCT X05-14 X05-15 X05	7/8 15/16	25	5/8	13/32	27/32	15/32	55/64	21/4	17/32	31/2	41/32	47/16	115/32	13/32	11/16	23/4	1.5000	0.6260	0.8740	UC X05-14 X05-15 X05	T 206	3.1
X05-16	1																			X05-16		
UCT X06-18 X06	1 1/8	30	5/8	1/2	217/32	115/32	55/64	217/32	17/32	31/2	41/32	53/32	115/32	13/16	2	31/16	1.6890	0.6890	1.0000	UC X06-18 X06	T 207	3.7
X06-19 X06-20	1 3/16 1 1/4																			X06-19 X06-20		
UCT X07-22 X07	1 3/8	35	3/4	5/8	39/32	115/16	19/64	39/32	11/16	4	41/2	521/32	115/16	15/16	27/32	315/32	1.9370	0.7480	1.1890	UC X07-22 X07	T 208	5.9
X07-23	1 7/16																			X07-23		
UCT X08-24 X08	1 1/2	40	3/4	5/8	39/32	115/16	19/64	39/32	11/16	4	419/32	521/32	115/16	13/8	21/4	37/16	1.9370	0.7480	1.1890	UC X08-24 X08	T 209	6.1
UCT X09-26 X09-27 X09-28 X09	1 5/8 1 11/16 1 3/4	45	3/4	5/8	39/32	115/16	19/64	39/8	11/16	4	419/32	57/8	115/16	115/32	25/16	317/32	2.0315	0.7480	1.2835	UC X09-26 X09-27 X09-28 X09	T 210	6.4
UCT X10-30 X10-31 X10	1 7/8 1 15/16	50	1	3/4	41/32	217/32	13/8	33/4	11/16	5 1/8	53/4	75/8	217/32	11/2	29/16	43/16	2.1890	0.8740	1.3150	UC X10-30 X10-31 X10	T 211	9.7
X10-32	2																			X10-32		
UCT X11-34 X11	2 1/8	55	1 1/4	3/4	41/32	217/32	13/8	41/32	11/16	5 1/8	53/4	75/8	217/32	121/32	215/16	411/16	2.5630	1.0000	1.5630	UC X11-34 X11	T 212	11.7
X11-35 X11-36	2 3/16 2 1/4																			X11-35 X11-36		
UCT X12 X12-38 X12-39	2 3/8 2 7/16	60	1 1/4	13/16	43/8	23/4	139/64	43/4	11/16	515/16	69/16	813/16	23/4	123/32	37/16	513/32	2.5630	1.0000	1.5630	UC X12 X12-38 X12-39	T 213	16.3
UCT X13-40 X13	2 1/2	65	1 1/4	13/16	43/8	23/4	139/64	43/4	11/16	515/16	69/16	813/16	23/4	113/16	37/16	513/32	2.9370	1.1890	1.7480	UC X13-40 X13	T 214	16.7
UCT X14-43 X14-44 X14	2 11/16 2 3/4	70	1 1/4	13/16	43/8	23/4	139/64	43/4	11/16	515/16	69/16	91/8	23/4	17/8	39/8	51/2	3.0630	1.3110	1.7520	UC X14-43 X14-44 X14	T 215	17.4
UCT X15-47 X15 X15-48	2 15/16 3	75	1 1/4	13/16	43/8	23/4	139/64	43/4	11/16	61/2	71/4	91/4	23/4	2	39/4	51/2	3.2520	1.3110	1.9410	UC X15-47 X15 X15-48	TX15	19.1
UCT X17 X17-55 X17-56	3 1/16 3 1/2	85	1 1/2	13/32	47/8	27/8	157/64	63/16	19/32	613/16	725/32	101/4	27/8	21/8	327/32	69/8	3.7795	1.5630	2.2165	UC X17 X17-55 X17-56	TX17	25.7

Interchange Page 91

STANDARD PRODUCTS