

NAP Pillow Blocks



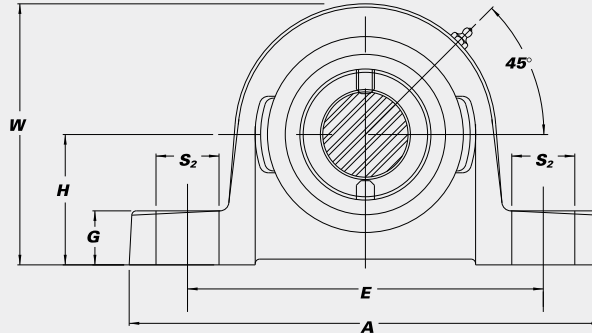
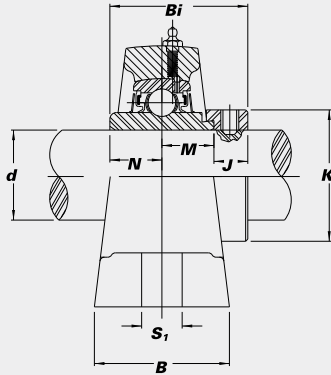
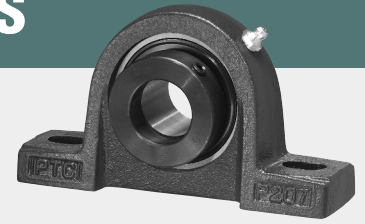
B-type Seal



L3-type Seal

Standard duty. High shaft height with eccentric locking collar.

- Cast iron housing
- B-type or L3-type seals
- Wide inner race bearing



Unit No.	Shaft Dia.		Dimensions (in.) (mm)													Bolt Used (in.)	Bearing No.	Housing No.	Weight (lbs.)	
	d (in.)	d (mm)	H	A	E	B	S ₂	S ₁	G	W	Bi	N	M	J	K					
NAP 201		12																NAW201		
201-8	1/2	15	13/16	47/8	35/8	17/16	3/4	7/16	17/32	223/64	1.4685	0.5472	0.5472	0.3740	1.1260	3/8	201-8			
202			30.2	124	92	37	19	11	13	60	37.3	13.9	13.9	9.5	28.6		202	P 203	1.6	
202-10	5/8	17															202-10			
203																	203			
NAP 204-12	3/4	20	15/16	5	33/4	11/2	11/16	7/16	9/16	219/32	1.7126	0.6693	0.6693	0.3740	1.3110	3/8	NA 204-12			
204			33.3	127	95	38	17	11	14	66	43.5	17.0	17.0	9.5	33.3		204	P 204	1.7	
NAP 205-14	7/8	25	17/16	5 1/2	4 1/8	1 1/2	11/16	1/2	5/8	227/32	1.7441	0.6850	0.6850	0.3740	1.5000	3/8	NA 205-14			
205-15	15/16		36.5	140	105	38	17	13	16	72	44.3	17.4	17.4	9.5	38.1		205-15	P 205	2.1	
205																	205			
205-16	1																205-16			
NAP 206-17	1 1/16	30	1 11/16*	6 5/16	4 3/4	1 3/4	13/16	9/16	11/16	319/64	1.9016	0.7165	0.7165	0.4685	1.7520	1/2	NA 206-17			
206-18	1 1/8		42.9	160	121	44	21	14	18	84	48.3	18.2	18.2	11.9	44.5		206-18	P 206	3.1	
206																	206			
206-19	1 3/16																206-19			
206-20	1 1/4 S																206-20			
NAP 207-20	1 1/4	35	17/8	6 17/32	5	1 29/32	7/8	9/16	3/4	311/16	2.0118	0.7402	0.7402	0.5315	2.1890	1/2	NA 207-20			
207-21	1 5/16		47.6	166	127	48	22	14	19	94	51.1	18.8	18.8	13.5	55.6		207-21	P 207	4.2	
207-22	1 3/8																207-22			
207																	207			
207-23	1 7/16																207-23			
NAP 208-24	1 1/2	40	1 15/16**	7 1/8	5 7/16	2	7/8	9/16	13/16	4	2.2165	0.8425	0.8425	0.5315	2.3740	1/2	NA 208-24			
208-25	1 5/16		49.2	181	137	51	22	14	21	102	56.3	21.4	21.4	13.5	60.3		208-25	P 208	5.3	
208																	208			
NAP 209-26	1 5/8	45	2 1/8	7 1/2	5 3/4	2 1/8	13/16	19/32	7/8	417/64	2.2165	0.8425	0.8425	0.5315	2.5000	1/2	NA 209-26			
209-27	1 11/16		54.0	190	146	54	21	15	22	109	56.3	21.4	21.4	13.5	63.5		209-27	P 209	6.1	
209-28	1 3/4																209-28			
209																	209			
NAP 210-30	1 7/8	50	2 1/4	8	6 1/4	2 1/4	15/16	23/32	15/16	433/64	2.4685	0.9685	0.9685	0.5315	2.7520	5/8	NA 210-30			
210-31	1 15/16		57.2	203	159	57	24	18	24	115	62.7	24.6	24.6	13.5	69.9		210-31	P 210	7.2	
210																	210			
210-32	2 S																210-32			
NAP 211-32	2	55	2 1/2	8 5/8	6 7/8	2 3/8	15/16	23/32	1 1/16	51/32	2.8110	1.0905	1.0905	0.6300	3.0000	5/8	NA 211-32			
211-34	2 1/8		63.5	220	174	60	24	18	27	128	71.4	27.7	27.7	16.0	76.2		211-34	P 211	9.4	
211																	211			
211-35	2 3/16																211-35			
NAP 212-36	2 1/4	60	2 3/4	9 17/32	7 11/32	2 1/2	1	25/32	1 1/16	533/64	3.0630	1.2165	1.2165	0.6300	3.3150	5/8	NA 212-36			
212			69.8	242	187	64	25.4	20	27	140	77.8	30.9	30.9	16.0	84.2		212	P 212	11.9	
212-38	2 3/8																212-38			
212-39	2 7/16																212-39			
NAP 213-40	2 1/2	65	3	10 3/4	8 1/8	2 11/16	1 3/16	13/16	1 1/8	61/32	3.3740	1.3425	1.3425	0.6890	3.3858	7/8	NA 213-40			
213			76.2	273	206	68	30	20	28	153	85.7	34.1	34.1	17.5	86.0		213	P 213	14.0	
NAP 215-47	2 15/16	75	3 1/4	10 13/16	8 1/2	2 15/16	1 1/4	1	1 1/8	633/64	3.6260	1.4685	1.4685	0.6890	4.0157	7/8	NA 215-47			
215			82.6	275	217	75	31	25.4	29	166	92.1	37.3	37.3	17.5	102.0		215	P 215	18.3	
215-48	3																215-48			

Interchange Page 47 *Also available 1 5/8" **Also available 2 1/8"

STANDARD PRODUCTS