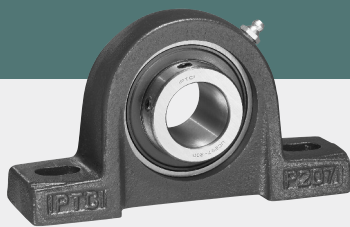


UCP Pillow Blocks



Standard duty. High shaft height with set screw lock.

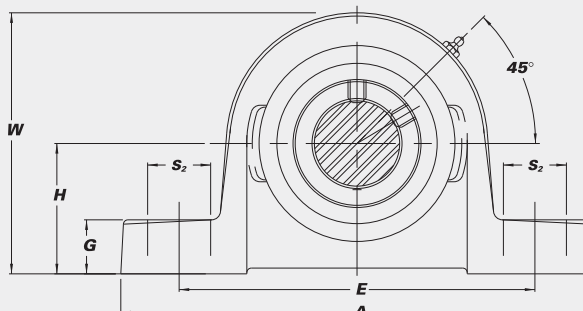
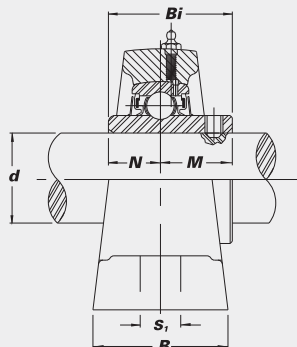
- Cast iron housing
- Wide inner race bearing
- B-type or L3-type seals
- Available with high temp. bearings - See page 46



B-type Seal



L3-type Seal



STANDARD PRODUCTS

Unit No.	Shaft Dia.		Dimensions (in.) (mm)										Bolt Used (in.)	Bearing No.	Housing No.	Weight (lbs.)		
	d (in.)	d (mm)	H	A	E	B	S ₂	S ₁	G	W	Bi	N					M	
UCP 201		12																UCW 201
201-8	1/2	15	13/16	47/8	35/8	17/16	3/4	7/16	17/32	233/64	1.0236	0.3937	0.6299	3/8				201-8
202			30.2	124	92	37	19	11	13	60	26.0	10.0	16.0					202
202-10	5/8	17																202-10
203																		203
UCP 204-12	3/4	20	19/16	5	33/4	11/2	11/16	7/16	9/16	219/32	1.2205	0.5000	0.7205	3/8				UC 204-12
204			33.3	127	95	38	17	11	14	66	31.0	12.7	18.3					204
UCP 205-14	7/8	25	17/16	5 1/2	4 1/8	1 1/2	11/16	1/2	5/8	227/32	1.3386	0.5630	0.7756	3/8				UC 205-14
205-15	15/16		36.5	140	105	38	17	13	16	72	34.0	14.3	19.7					205-15
205																		205
205-16	1																	205-16
UCP 206-17	1 1/16	30	1 11/16*	6 5/16	4 3/4	1 3/4	13/16	9/16	1 1/16	3 19/64	1.5000	0.6260	0.8740	1/2				UC 206-17
206-18	1 1/8		42.9	160	121	44	21	14	18	84	38.1	15.9	22.2					206-18
206																		206
206-19	1 3/16																	206-19
206-20	1 1/4 S																	206-20
UCP 207-20	1 1/4	35	17/8	6 17/32	5	2 29/32	7/8	9/16	3/4	3 11/16	1.6890	0.6890	1.0000	1/2				UC 207-20
207-21	1 5/16		47.6	166	127	48	22	14	19	94	42.9	17.5	25.4					207-21
207-22	1 3/8																	207-22
207																		207
207-23	1 7/16																	207-23
UCP 208-24	1 1/2	40	1 15/16**	7 1/8	5 7/16	2	7/8	9/16	13/16	4	1.9370	0.7480	1.1890	1/2				UC 208-24
208-25	1 9/16		49.2	181	137	51	22	14	21	102	49.2	19.0	30.2					208-25
208																		208
UCP 209-26	1 5/8	45	2 1/8	7 1/2	5 3/4	2 1/8	13/16	19/32	7/8	4 17/64	1.9370	0.7480	1.1890	1/2				UC 209-26
209-27	1 11/16		54.0	190	146	54	21	15	22	109	49.2	19.0	30.2					209-27
209-28	1 3/4																	209-28
209																		209
UCP 210-30	1 7/8	50	2 1/4	8	6 1/4	2 1/4	15/16	23/32	15/16	4 33/64	2.0315	0.7480	1.2835	5/8				UC 210-30
210-31	1 15/16		57.2	203	159	57	24	18	24	115	51.6	19.0	32.6					210-31
210																		210
210-32	2 S																	210-32
UCP 211-32	2	55	2 1/2	8 5/8	6 7/8	2 3/8	15/16	23/32	1 1/16	5 1/32	2.1890	0.8740	1.3150	5/8				UC 211-32
211-34	2 1/8		63.5	220	174	60	24	18	27	128	55.6	22.2	33.4					211-34
211																		211
211-35	2 3/16																	211-35
UCP 212-36	2 1/4	60	2 3/4	9 17/32	7 11/32	2 1/2	1	25/32	1 1/16	5 33/64	2.5630	1.0000	1.5630	5/8				UC 212-36
212			69.8	242	187	64	25.4	20	27	140	65.1	25.4	39.7					212
212-38	2 3/8																	212-38
212-39	2 1/16																	212-39
UCP 213-40	2 1/2	65	3	10 3/4	8 1/8	2 11/16	13/16	13/16	1 1/8	6 1/32	2.5630	1.0000	1.5630	5/8				UC 213-40
213			76.2	273	206	68	30	20	28	153	65.1	25.4	39.7					213
UCP 214-43	2 11/16	70	3	10 3/4	8 1/8	2 1/2	1 13/16	13/16	1 1/8	6 1/32	2.9370	1.1890	1.7480	5/8				UC 214-43
214-44	2 3/4		76.2	273	206	64	30	20	28	153	74.6	30.2	44.4					214-44
214																		214
UCP 215-47	2 15/16	75	3 1/4	10 13/16	8 1/2	2 15/16	1 1/4	1 1/8	1 1/8	6 33/64	3.0630	1.3110	1.7520	7/8				UC 215-47
215			82.6	275	217	75	31	25.4	29	166	77.8	33.3	44.5					215
215-48	3																	215-48

Interchange Page 47. *Also available 1 5/8" **Also available 2 1/8"