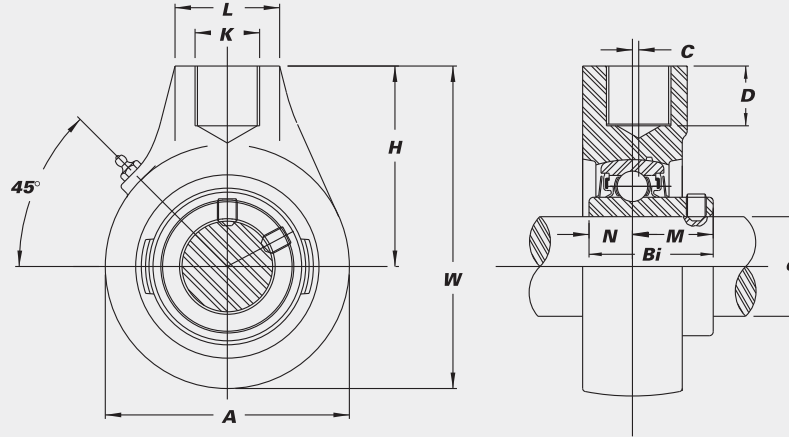


UCHA Hanger Units



Standard duty with set screw lock.

- Cast iron housing
- Wide inner race bearing
- Available with eccentric locking collar bearing
- B-type seals
- L3-type seals available in some sizes



Unit No.	Shaft Dia.		Dimensions (in.) (mm)									Bearing No.	Housing No.	Weight (lbs.)	
	d (in.)	d (mm)	A	W	C	H	L	D	K	Bi	N				M
UCHA 201		12											UC 201		
201-8	1/2												201-8		
202		15											202		
202-10	5/8		2 ^{33/64}	3 ^{25/32}	0	2 ^{33/64}	1 ^{9/16}	3/4	PF 3/4	1.2205	0.5000	0.7205	202-10	HA 204	1.7
203		17	64	96		64	40	19.1	-14	31.0	12.7	18.3	203		
204-12	3/4												204-12		
204		20											204		
UCHA 205-14	7/8												UC 205-14		
205-15	1 ^{5/16}												205-15		
205		25	3 ^{1/16}	4 ^{1/16}	0	2 ^{33/64}	1 ^{9/16}	3/4	PF 3/4	1.3386	0.5630	0.7756	205	HA 205	1.9
205-16	1		78	103		64	40	19.1	-14	34.0	14.3	19.7	205-16		
UCHA 206-17	1 ^{1/16}												UC 206-17		
206-18	1 ^{1/8}												206-18		
206		30	3 ^{5/32}	4 ^{3/32}	0	2 ^{33/64}	1 ^{9/16}	3/4	PF 3/4	1.5000	0.6260	0.8740	206	HA 206	1.9
206-19	1 ^{3/16}		80	104		64	40	19.1	-14	38.1	15.9	22.2	206-19		
206-20	1 ^{1/4} S												206-20		
UCHA 207-20	1 ^{1/4}												UC 207-20		
207-21	1 ^{5/16}												207-21		
207-22	1 ^{3/8}												207-22		
207		35	3 ^{5/8}	4 ^{9/16}	0	2 ^{3/4}	1 ^{9/16}	3/4	PF 3/4	1.6890	0.6890	1.0000	207	HA 207	2.6
207-23	1 ^{7/16}		92	116		70	40	19.1	-14	42.9	17.5	25.4	207-23		
UCHA 208-24	1 ^{1/2}												UC 208-24		
208-25	1 ^{9/16}												208-25		
208		40	3 ^{15/16}	4 ^{27/32}	5/64	2 ^{7/8}	1 ^{9/16}	3/4	PF 3/4	1.9370	0.7480	1.1890	208	HA 208	3.4
UCHA 209-26	1 ^{5/8}												UC 209-26		
209-27	1 ^{11/16}												209-27		
209-28	1 ^{3/4}												209-28		
209		45	4 ^{1/4}	5 ^{11/32}	1 ^{3/64}	3 ^{15/64}	1 ^{7/8}	1 ^{3/16}	PF 1	1.9370	0.7480	1.1890	209	HA 209	3.9
UCHA 210-30	1 ^{7/8}												UC 210-30		
210-31	1 ^{15/16}												210-31		
210		50	4 ^{21/32}	5 ^{19/32}	1 ^{3/64}	3 ^{17/64}	1 ^{7/8}	1 ^{3/16}	PF 1	2.0315	0.7480	1.2835	210	HA 210	4.6
210-32	2S		118	142	5	83	48	21	-11 ^{1/2}	51.6	19.0	32.6	210-32		
UCHA 211-34	2 ^{1/8}												UC X11-34		
211		55	5 ^{19/32}	6 ^{13/16}	2 ^{3/64}	4 ^{1/64}	2 ^{3/8}	1 ^{3/32}	PF 1 ^{1/4}	2.5630	1.0000	1.5630	X11	HA 212	8.5
211-35	2 ^{9/16}		142	173	9	102	60	28	-11 ^{1/2}	65.1	25.4	39.7	X11-35		
UCHA 212-36	2 ^{1/4}												UC 212-36		
212		60	5 ^{19/32}	6 ^{13/16}	2 ^{3/64}	4 ^{1/64}	2 ^{3/8}	1 ^{3/32}	PF 1 ^{1/4}	2.5630	1.0000	1.5630	212	HA 212	8.2
212-38	2 ^{9/8}		142	173	9	102	60	28	-11 ^{1/2}	65.1	25.4	39.7	212-38		
212-39	2 ^{7/16}												212-39		
UCHA 214-43	2 ^{11/16}												UC X14-43		
214		70	6 ^{17/32}	7 ^{7/8}	3/8	4 ^{39/64}	2 ^{3/4}	1 ^{1/4}	PF 1 ^{1/2}	3.0630	1.3110	1.7520	X14	HA 215	13.2
UCHA 215-47	2 ^{15/16}												UC 215-47		
215		75	6 ^{17/32}	7 ^{7/8}	3/8	4 ^{39/64}	2 ^{3/4}	1 ^{1/4}	PF 1 ^{1/2}	3.0630	1.3110	1.7520	215	HA 215	12.2
215-48	3		166	200	9.5	117	70	32	-11 ^{1/2}	77.8	33.3	44.5	215-48		

Interchange Page 47

STANDARD PRODUCTS