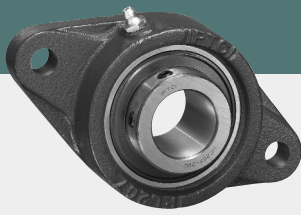


UCFL 2-Bolt Flange Units



Standard duty with set screw lock.

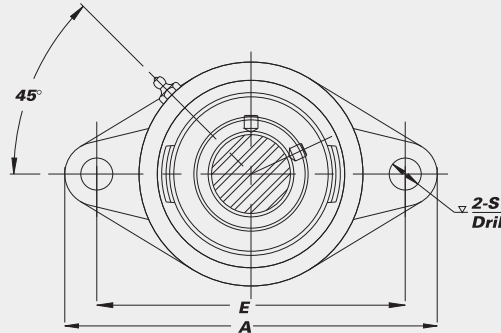
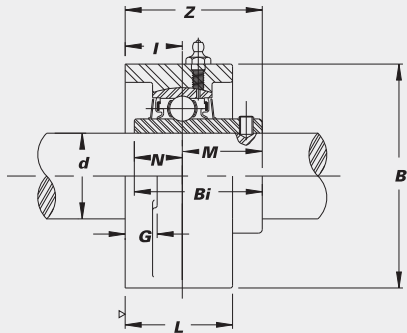
- Cast iron housing
- Wide inner race bearing
- B-type or L3-type seals
- Available with high temp. bearing - See page 46



B-type Seal



L3-type Seal



Unit No.	Shaft Dia.		Dimensions (in.) (mm)										Bolt Used (in.)	Bearing No.	Housing No.	Weight (lbs.)			
	d (in.)	d (mm)	A	E	I	G	L	S	B	Z	Bi	N					M		
UCFL 201		12															UCW 201		
201-8	1/2																201-8		
202		15	4 ¹³ / ₃₂	3	4 ⁹ / ₆₄	7 ¹ / ₁₆	3 ¹ / ₃₂	2 ⁵ / ₆₄	2 ³ / ₈	1 ⁵ / ₁₆	1.0236	0.3937	0.6299	5 ¹ / ₁₆			202	FT 203	0.9
202-10	5/8		112	76.2	17	11	25	10	60	33.3	26.0	10.0	16.0				202-10		
203		17															203		
UCFL 204-12	3/4																UC 204-12		
204		20	4 ⁷ / ₁₆	3 ¹⁷ / ₃₂	1 ⁹ / ₃₂	7 ¹ / ₁₆	1	2 ⁵ / ₆₄	2 ³ / ₈	1 ⁵ / ₁₆	1.2205	0.5000	0.7205	5 ¹ / ₁₆			204	FL 204	1.0
UCFL 205-14	7/8																UC 205-14		
205-15	1 ⁵ / ₁₆																205-15		
205		25	5 ¹ / ₈	3 ⁵⁷ / ₆₄	5 ¹ / ₈	1 ¹ / ₂	1 ¹ / ₁₆	1 ⁵ / ₃₂	2 ¹¹ / ₁₆	1 ¹⁵ / ₃₂	1.3386	0.5630	0.7756	3 ³ / ₈			205	FL 205	1.5
205-16	1		130	98.8	16	13	27	11.9	68	37.3	34.0	14.3	19.7				205-16		
UCFL 206-17	1 ¹ / ₁₆																UC 206-17		
206-18	1 ¹ / ₈																206-18		
206		30	5 ¹³ / ₁₆	4 ¹⁹ / ₃₂	4 ⁵ / ₆₄	1 ¹ / ₂	1 ¹ / ₃₂	1 ⁵ / ₃₂	3 ⁵ / ₃₂	1 ¹⁹ / ₃₂	1.5000	0.6260	0.8740	3 ³ / ₈			206	FL 206	2.2
206-19	1 ³ / ₁₆		148	116.7	18	13	31	11.9	80	40.5	38.1	15.9	22.2				206-19		
206-20	1 ¹ / ₄ S																206-20		
UCFL 207-20	1 ¹ / ₄																UC 207-20		
207-21	1 ⁵ / ₁₆																207-21		
207-22	1 ³ / ₈		6 ¹¹ / ₃₂	5 ¹ / ₈	3 ³ / ₄	9 ¹ / ₁₆	1 ¹¹ / ₃₂	3 ³ / ₆₄	3 ¹⁷ / ₃₂	1 ³ / ₄	1.6890	0.6890	1.0000	7 ¹ / ₁₆			207-22	FL 207	2.9
207		35	161	130.2	19	14	34	13	90	44.5	42.9	17.5	25.4				207		
207-23	1 ⁷ / ₁₆																207-23		
UCFL 208-24	1 ¹ / ₂																UC 208-24		
208-25	1 ⁹ / ₁₆																208-25		
208		40	6 ⁷ / ₈	5 ²⁷ / ₃₂	5 ³ / ₆₄	9 ¹ / ₁₆	1 ¹³ / ₃₂	3 ³ / ₆₄	3 ¹⁵ / ₁₆	2	1.9370	0.7480	1.1890	7 ¹ / ₁₆			208	FL 208	3.5
UCFL 209-26	1 ⁵ / ₈																UC 209-26		
209-27	1 ¹¹ / ₁₆																209-27		
209-28	1 ³ / ₄																209-28		
209		45	7 ¹³ / ₃₂	5 ²⁷ / ₃₂	5 ⁵ / ₆₄	1 ⁹ / ₃₂	1 ¹ / ₂	1 ⁵ / ₃₂	4 ¹ / ₄	2 ¹ / ₁₆	1.9370	0.7480	1.1890	1 ¹ / ₂			209	FL 209	4.4
UCFL 210-30	1 ⁷ / ₈																UC 210-30		
210-31	1 ¹⁵ / ₁₆																210-31		
210		50	7 ³ / ₄	6 ³ / ₁₆	5 ⁵ / ₆₄	1 ⁹ / ₃₂	1 ⁹ / ₁₆	5 ¹ / ₈	4 ¹⁷ / ₃₂	2 ⁵ / ₃₂	2.0315	0.7480	1.2835	1 ¹ / ₂			210	FL 210	5.1
210-32	2S		197	157	22	15	40	16	115	54.8	51.6	19.0	32.6				210-32		
UCFL 211-32	2																UC 211-32		
211-34	2 ¹ / ₈																211-34		
211		55	8 ¹³ / ₁₆	7 ¹ / ₄	6 ³ / ₆₄	2 ³ / ₃₂	1 ¹¹ / ₁₆	4 ¹ / ₆₄	5 ¹ / ₈	2 ⁵ / ₁₆	2.1890	0.8740	1.3150	9 ¹ / ₁₆			211	FL 211	7.3
211-35	2 ³ / ₁₆		224	184	25	18	43	16.3	130	58.7	55.6	22.2	33.4				211-35		
UCFL 212-36	2 ¹ / ₄																UC 212-36		
212		60	9 ²⁷ / ₃₂	7 ¹⁵ / ₁₆	1 ⁹ / ₆₄	2 ³ / ₃₂	1 ⁷ / ₈	4 ¹ / ₆₄	5 ¹ / ₂	2 ²³ / ₃₂	2.5630	1.0000	1.5630	9 ¹ / ₁₆			212	FL 212	9.5
212-38	2 ³ / ₈		250	201.6	29	18	48	16.3	140	69.1	65.1	25.4	39.7				212-38		
212-39	2 ¹ / ₁₆																212-39		

Interchange Page 47