

UCFCX 4-Bolt Piloted Flange Units



Medium duty with set screw lock.

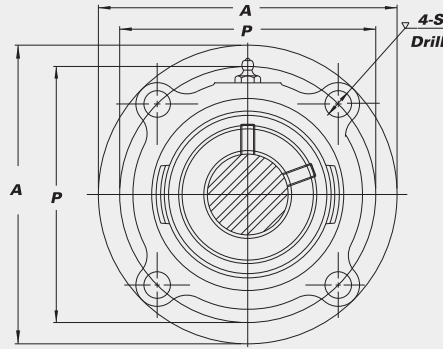
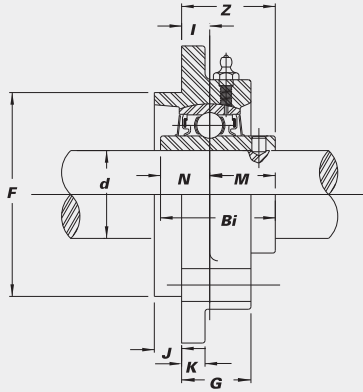
- Wide inner race bearing with greater load carrying capacity than standard duty
- B-type seals
L3-type seals available in some sizes



B-type Seal



L3-type Seal



STANDARD PRODUCTS

Unit No.	Shaft Dia.		Dimensions (in.) (mm)											Bolt Used (in.)	Bearing No.	Housing No.	Weight (lbs.)	
	d (in.)	d (mm)	A	P	S	J	K	G	F	I	Z	Bi	N					M
UCFC X05-14 X05-15 X05 X05-16	7/8 1 5/16 1	25	4 3/8 111	3 5/8 92	3/8 9.5	1 5/64 6.0	3/8 9.5	1 5/16 24.0	3.000 76.2	2 5/64 10	1 9/32 32.2	1.5000 38.1	0.6260 15.9	0.8740 22.2	5/16	UC X05-14 X05-15 X05 X05-16	FC X05	2.6
UCFC X06-18 X06 X06-19 X06-20	1 1/8 1 3/16 1 1/4	30	5 127	4 1/8 104.8	1 5/32 12.0	3/8 9.5	3/8 9.5	7/8 22.5	3.375 85.7	5/16 8	1 1/16 33.4	1.6890 42.9	0.6890 17.5	1.0000 25.4	3/8	UC X06-18 X06 X06-19 X06-20	FC X06	3.3
UCFC X07-22 X07 X07-23	1 3/8 1 7/16	35	5 1/4 133	4 3/8 111	1 5/32 12.0	7/16 11.0	7/16 11.0	1 1/32 26.0	3.625 92.1	2 3/64 9	1 17/32 39.2	1.9370 49.2	0.7480 19.0	1.1890 30.2	3/8	UC X07-22 X07 X07-23	FC X07	4.2
UCFC X08-24 X08	1 1/2	40	5 1/4 133	4 3/8 111	1 5/32 12.0	7/16 11.0	7/16 11.0	1 1/32 26.0	3.625 92.1	2 3/64 9	1 17/32 39.2	1.9370 49.2	0.7480 19.0	1.1890 30.2	3/8	UC X08-24 X08	FC X08	4.4
UCFC X09-26 X09-27 X09-28 X09	1 5/8 1 11/16 1 3/4 45	45	6 3/32 155	5 1/8 130	3 5/64 14.0	1 5/32 12.0	7/16 11.0	1 25.0	4.250 108.0	5/16 8	1 19/32 40.6	2.0315 51.6	0.7480 19.0	1.2835 32.6	7/16	UC X09-26 X09-27 X09-28 X09	FC X09	5.7
UCFC X10-30 X10-31 X10 X10-32	1 7/8 1 15/16 2	50	6 3/8 162	5 3/8 136.5	3 5/64 14.0	5/8 16.0	7/16 11.0	1 25.0	4.500 114.3	9/32 7	1 19/32 40.4	2.1890 55.6	0.8740 22.2	1.3150 33.4	7/16	UC X10-30 X10-31 X10 X10-32	FC X10	7.0
UCFC X11-34 X11 X11-35 X11-36	2 1/8 2 3/16 2 1/4	55	7 3/32 180	6 152.4	5/8 16.0	5 5/64 22.0	1/2 13.0	1 1/32 26.0	5.000 127.0	5/32 4	1 23/32 43.7	2.5630 65.1	1.0000 25.4	1.5630 39.7	1/2	UC X11-34 X11 X11-35 X11-36	FC X11	9.5
UCFC X12 X12-38 X12-39	2 3/8 2 1/16	60	7 5/8 194	6 1/2 165	5/8 16.0	2 5/32 20.0	9/16 14.0	1 5/16 33.0	5.500 139.7	7/16 11	2 50.7	2.5630 65.1	1.0000 25.4	1.5630 39.7	1/2	UC X12 X12-38 X12-39	FC X12	11.7
UCFC X13-40 X13	2 1/2	65	7 5/8 194	6 1/2 165	5/8 16.0	2 5/32 20.0	9/16 14.0	1 5/16 33.0	5.500 139.7	7/16 11	2 3/16 55.4	2.9370 74.6	1.1890 30.2	1.7480 44.4	1/2	UC X13-40 X13	FC X13	12.5
UCFC X15-47 X15 X15-48	2 15/16 3	75	8 3/4 222	7 1/2 190.5	3/4 19.0	5 5/64 22.0	5/8 16.0	1 3/8 35.0	6.375 161.9	1 5/32 12	2 13/32 61.3	3.2520 82.6	1.3110 33.3	1.9410 49.3	5/8	UC X15-47 X15 X15-48	FC X15	17.6
UCFC X17 X17-55 X17-56	3 7/16 3 1/2	85	10 1/4 260	8 5/8 219	2 9/32 23.0	6 3/64 25.0	3/4 19.0	1 13/32 36.0	7.375 187.3	2 5/64 10	2 5/8 66.3	3.7795 96.0	1.5630 39.7	2.2165 56.3	3/4	UC X17 X17-55 X17-56	FC X17	28.4
UCFC X20 X20-63 X20-64	3 15/16 4	100	10 7/8 276	9 3/8 238	2 9/32 23.0	1 7/64 28.0	7/8 22.0	2 19/32 66.0	8.125 206.4	5 5/64 22	3 9/16 90.3	4.6260 117.5	1.9370 49.2	2.6890 68.3	3/4	UC X20 X20-63 X20-64	FC X20	40.0

Interchange Page 47