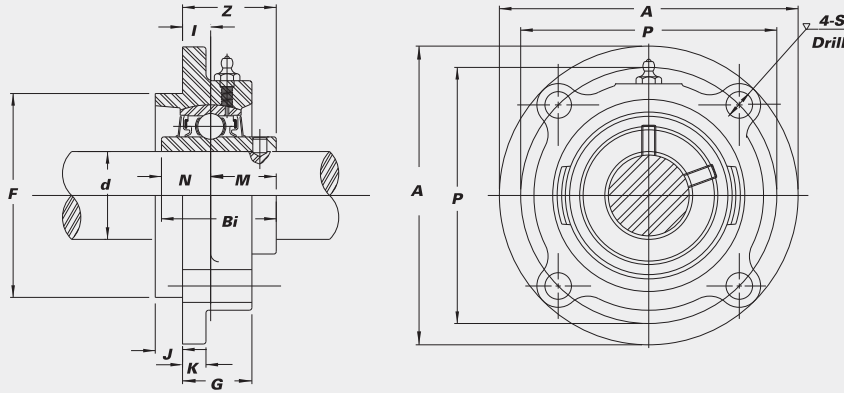


UCFC 4-Bolt Piloted Flange Units



Standard duty with set screw lock.



STANDARD PRODUCTS

Unit No.	Shaft Dia.		Dimensions (in.) (mm)											Bolt Used (in) (mm)	Bearing No.	Housing No.	Housing Weight (lbs.)			
	d (in.)	d (mm)	A	P	S	J	K	G	F	I	Z	Bi	N					M		
UCFC 201		12																UC 201		
201-8	1/2																	201-8		
202		15																202		
202-10	5/8		3 ¹⁵ / ₁₆	3 ⁵ / ₆₄	1 ⁵ / ₃₂	3/16	9/32	1 ³ / ₁₆	2.4409	2 ⁵ / ₆₄	1 ⁷ / ₆₄	1.2205	0.5000	0.7205		M10	202-10	FC 204	2.0	
203		17	100	78	12	5	7	20.5	62.0	10	28.3	31.0	12.7	18.3			203			
204-12	3/4																	204-12		
204		20																204		
UCFC 205-14	7/8																	UC 205-14		
205-15	1 ⁵ / ₁₆																	205-15		
205		25	4 ¹ / ₂	3 ³⁵ / ₆₄	1 ⁵ / ₃₂	5/16	9/32	1 ³ / ₁₆	2.7559	2 ⁵ / ₆₄	1 ¹¹ / ₆₄	1.3386	0.5630	0.7756		M10	205	FC 205	2.4	
205-16	1		115	90	12	6	7	21	70.0	10	29.7	34.0	14.3	19.7			205-16			
UCFC 206-17	1 ¹ / ₁₆																	UC 206-17		
206-18	1 ¹ / ₈																	206-18		
206		30	4 ¹⁵ / ₁₆	3 ¹⁵ / ₁₆	1 ⁵ / ₃₂	5/16	5/16	2 ⁹ / ₃₂	3.1496	2 ⁵ / ₆₄	1 ¹⁷ / ₆₄	1.5000	0.6260	0.8740		M10	206	FC 206	3.3	
206-19	1 ³ / ₁₆		125	100	12	8	8	23	80.0	10	32.2	38.1	15.9	22.2			206-19			
206-20	1 ¹ / ₄ S																206-20			
UCFC 207-20	1 ¹ / ₄																	UC 207-20		
207-21	1 ³ / ₁₆																	207-21		
207-22	1 ³ / ₈																	207-22		
207		35	5 ⁵ / ₁₆	4 ²¹ / ₆₄	3 ⁵ / ₆₄	5/16	1 ¹ / ₃₂	1 ¹ / ₃₂	3.5433	7/16	1 ⁷ / ₁₆	1.6890	0.6890	1.0000	1/2	M12	207	FC 207	3.7	
207-23	1 ⁷ / ₁₆		135	110	14	8	9	26	90.0	11	36.4	42.9	17.5	25.4			207-23			
UCFC 208-24	1 ¹ / ₂																	UC 208-24		
208-25	1 ⁹ / ₁₆																	208-25		
208		40	5 ¹¹ / ₁₆	4 ²³ / ₃₂	3 ⁵ / ₆₄	1 ³ / ₃₂	1 ¹ / ₃₂	1 ¹ / ₃₂	3.9370	7/16	1 ⁵ / ₈	1.9370	0.7480	1.1890	1/2	M12	208	FC 208	4.6	
UCFC 209-26	1 ⁵ / ₈																	UC 209-26		
209-27	1 ¹¹ / ₁₆																	209-27		
209-28	1 ³ / ₄																	209-28		
209		45	6 ⁵ / ₁₆	5 ¹³ / ₆₄	5/8	1 ⁵ / ₃₂	3 ⁵ / ₆₄	1 ¹ / ₃₂	4.1339	2 ⁵ / ₆₄	1 ³⁷ / ₆₄	1.9370	0.7480	1.1890	9/16	M14	209	FC 209	6.6	
UCFC 210-30	1 ⁷ / ₈																	UC 210-30		
210-31	1 ¹⁵ / ₁₆																	210-31		
210		50	6 ¹ / ₂	5 ⁷ / ₁₆	5/8	1 ⁵ / ₃₂	3 ⁵ / ₆₄	1 ³ / ₃₂	4.3307	2 ⁵ / ₆₄	1 ⁴³ / ₆₄	2.0315	0.7480	1.2835	9/16	M14	210	FC 210	6.8	
210-32	2S		165	138	16	12	14	28	110.0	10	42.6	51.6	19.0	32.6			210-32			
UCFC 211-32	2																	UC 211-32		
211-34	2 ¹ / ₈																	211-34		
211		55	7 ⁵ / ₁₆	5 ²⁹ / ₃₂	3/4	1 ⁵ / ₃₂	1 ⁹ / ₃₂	1 ⁷ / ₃₂	4.9213	1/2	1 ⁵³ / ₆₄	2.1890	0.8740	1.3150	5/8	M16	211	FC 211	8.6	
211-35	2 ³ / ₁₆		185	150	19	12	15	31	125.0	13	46.4	55.6	22.2	33.4			211-35			
UCFC 212-36	2 ¹ / ₄																	UC 212-36		
212		60	7 ¹¹ / ₁₆	6 ¹⁹ / ₆₄	3/4	1 ⁵ / ₃₂	1 ⁹ / ₃₂	1 ²⁷ / ₆₄	5.3150	4 ³ / ₆₄	2 ¹⁵ / ₆₄	2.5630	1.0000	1.5630	5/8	M16	212	FC 212	9.7	
212-38	2 ³ / ₈		195	160	19	12	15	36	135.0	17	56.7	65.1	25.4	39.7			212-38			
212-39	2 ⁷ / ₁₆																212-39			
UCFC 213-40	2 ¹ / ₂																	UC 213-40		
213		65	8 ¹ / ₁₆	6 ¹¹ / ₁₆	3/4	3 ⁵ / ₆₄	1 ⁹ / ₃₂	1 ²⁷ / ₆₄	5.7087	5/8	2 ²¹ / ₆₄	2.5630	1.0000	1.5630	5/8	M16	213	FC 213	11.7	
UCFC 214-43	2 ¹¹ / ₁₆																	UC 214-43		
214-44	2 ³ / ₄																	214-44		
214		70	8 ¹⁵ / ₃₂	6 ³¹ / ₃₂	3/4	3 ⁵ / ₆₄	2 ³ / ₃₂	1 ³⁷ / ₆₄	5.9055	4 ³ / ₆₄	2 ²⁷ / ₆₄	2.9370	1.1890	1.7480	5/8	M16	214	FC 214	15.0	
UCFC 215-47	2 ¹⁵ / ₁₆																	UC 215-47		
215		75	8 ²¹ / ₃₂	7 ¹ / ₄	3/4	5/8	2 ³ / ₃₂	1 ³⁷ / ₆₄	6.2992	4 ⁵ / ₆₄	2 ¹⁵ / ₃₂	3.0630	1.3110	1.7520	5/8	M16	215	FC 215	16.3	
215-48	3		220	184	19	16	18	40	160.0	18	62.5	77.8	33.3	44.5			215-48			

Interchange Page 47