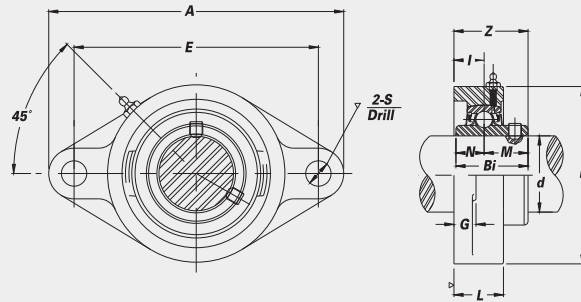
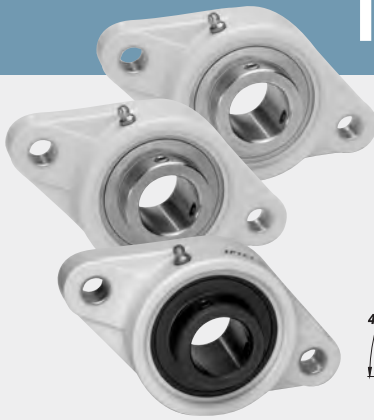


# Thermoplastic 2-Bolt Flanges



## With Set Screw Lock

Optional bearing inserts:  
 Stainless Steel-SUCTFL  
 Hard Chrome Coated-CUCTFL  
 Black Oxide-BUCTFL

• End Caps Available for all styles.



B-type Seal



L3-type Seal

B-type seal available in all styles and sizes.

L3-type seal available in SUC units only. Limited sizes. Consult IPTCI for speed limitations.

CORROSION RESISTANT

Unit No.	Shaft Dia. <i>d</i>	Dimensions (in.) (mm)											Bolt Used (in.)	Bearing No.	Housing No.	Weight (lbs.)
		<i>A</i>	<i>E</i>	<i>I</i>	<i>G</i>	<i>L</i>	<i>S</i>	<i>B</i>	<i>Z</i>	<i>Bi</i>	<i>N</i>	<i>M</i>				

### SUCTFL with Stainless Steel Bearing Inserts

SUCTFL 201-8 202-10 204-12 204	1/2 5/8 3/4 20	47/16 113	317/32 89.7	39/64 15	7/16 11	11/32 26	7/16 11	217/32 64	121/64 33.7	1.2205 31.0	0.5000 12.7	0.7205 18.3	3/8	SUC 201-8 202-10 204-12 204	TFL 204	.5
SUCTFL 205-14 205 205-16	7/8 25 1	51/8 130	357/64 98.8	43/64 17	17/32 13	15/32 29	7/16 11	29/4 70	17/16 36.5	1.3386 34.0	0.5630 14.3	0.7756 19.7	3/8	SUC 205-14 205 205-16	TFL 205	.7
SUCTFL 206-18 206 206-19 206-20	1 1/8 30 1 3/16 1 1/4 S	519/16 148	419/32 116.7	3/4 19	17/32 13	17/32 31	7/16 11	35/32 80	139/64 40.9	1.5000 38.1	0.6260 15.9	0.8740 22.2	3/8	SUC 206-18 206 206-19 206-20	TFL 206	1.1
SUCTFL 207-20 207-21 207-22 207 207-23	1 1/4 35 1 5/16 1 3/8 1 7/16	615/32 164	51/8 130.2	23/32 18	5/8 16	19/32 33	39/64 13	317/32 90	123/32 43.7	1.6890 42.9	0.6890 17.5	1.0000 25.4	1/2	SUC 207-20 207-21 207-22 207 207-23	TFL 207	1.5
SUCTFL 208-24 208	1 1/2 40	67/8 175	521/32 143.7	27/32 21	25/32 20	115/32 37	35/64 14	315/16 100	23/64 52.0	1.9370 49.2	0.7480 19.0	1.1890 30.2	1/2	SUC 208-24 208	TFL 208	2.0

### CUCTFL with Hard Chrome Coated Bearing Inserts

CUCTFL 204-12 204	3/4 20	47/16 113	317/32 89.7	39/64 15	7/16 11	11/32 26	7/16 11	217/32 64	121/64 33.7	1.2205 31.0	0.5000 12.7	0.7205 18.3	3/8	CUC 204-12 204	TFL 204	.5
CUCTFL 205-14 205 205-16	7/8 25 1	51/8 130	357/64 98.8	43/64 17	17/32 13	15/32 29	7/16 11	29/4 70	17/16 36.5	1.3386 34.0	0.5630 14.3	0.7756 19.7	3/8	CUC 205-14 205 205-16	TFL 205	.7
CUCTFL 206-18 206 206-19 206-20	1 1/8 30 1 3/16 1 1/4 S	519/16 148	419/32 116.7	3/4 19	17/32 13	17/32 31	7/16 11	35/32 80	139/64 40.9	1.5000 38.1	0.6260 15.9	0.8740 22.2	3/8	CUC 206-18 206 206-19 206-20	TFL 206	1.1
CUCTFL 207-20 207-22 207 207-23	1 1/4 35 1 3/8 1 7/16	615/32 164	51/8 130.2	23/32 18	5/8 16	19/32 33	39/64 13	317/32 90	123/32 43.7	1.6890 42.9	0.6890 17.5	1.0000 25.4	1/2	CUC 207-20 207-22 207 207-23	TFL 207	1.5
CUCTFL 208-24 208	1 1/2 40	67/8 175	521/32 143.7	27/32 21	25/32 20	115/32 37	35/64 14	315/16 100	23/64 52.0	1.9370 49.2	0.7480 19.0	1.1890 30.2	1/2	CUC 208-24 208	TFL 208	2.0

### BUCTFL with Black Oxide Bearing Inserts

BUCTFL 201-8 202-10 204-12 204	1/2 5/8 3/4 20	47/16 113	317/32 89.7	39/64 15	7/16 11	11/32 26	7/16 11	217/32 64	121/64 33.7	1.2205 31.0	0.5000 12.7	0.7205 18.3	3/8	BUC 201-8 202-10 204-12 204	TFL 204	.5
BUCTFL 205-14 205 205-16	7/8 25 1	51/8 130	357/64 98.8	43/64 17	17/32 13	15/32 29	7/16 11	29/4 70	17/16 36.5	1.3386 34.0	0.5630 14.3	0.7756 19.7	3/8	BUC 205-14 205 205-16	TFL 205	.7
BUCTFL 206-18 206 206-19 206-20	1 1/8 30 1 3/16 1 1/4 S	519/16 148	419/32 116.7	3/4 19	17/32 13	17/32 31	7/16 11	35/32 80	139/64 40.9	1.5000 38.1	0.6260 15.9	0.8740 22.2	3/8	BUC 206-18 206 206-19 206-20	TFL 206	1.1
BUCTFL 207-20 207-22 207 207-23	1 1/4 35 1 3/8 1 7/16	615/32 164	51/8 130.2	23/32 18	5/8 16	19/32 33	39/64 13	317/32 90	123/32 43.7	1.6890 42.9	0.6890 17.5	1.0000 25.4	1/2	BUC 207-20 207-22 207 207-23	TFL 207	1.5
BUCTFL 208-24 208	1 1/2 40	67/8 175	521/32 143.7	27/32 21	25/32 20	115/32 37	35/64 14	315/16 100	23/64 52.0	1.9370 49.2	0.7480 19.0	1.1890 30.2	1/2	BUC 208-24 208	TFL 208	2.0