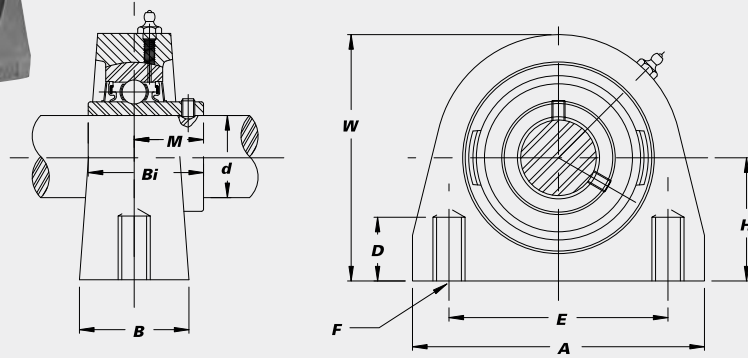
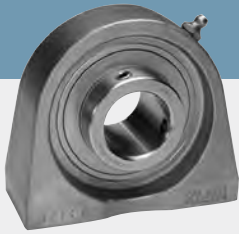


SUCSPA & SUCSHA



SUCSPA Tapped Base Units All Stainless Steel

- Set screw locking
- Also available with locking collar



B-type Seal



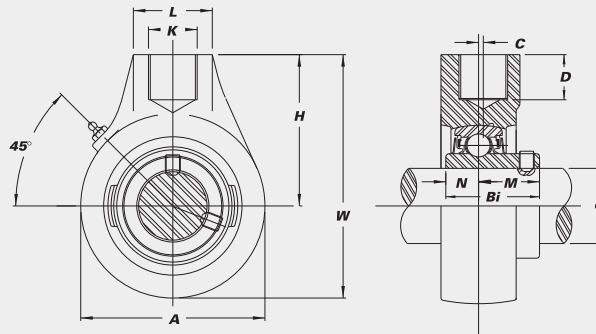
L3-type Seal

B-type seal available in all styles and sizes.

L3-type seal available in SUC units only. Limited sizes. Consult IPTCI for speed limitations.

CORROSION RESISTANT

Unit No.	Shaft Dia.		Dimensions (in.) (mm)									Bearing No.	Housing No.	Weight (lbs.)
	d (in.)	d (mm)	H	A	E	B	W	F-Tapped Holes	D-Min Tap Depth	M	Bi			
SUCSPA 201-8	1/2	12.7	1 1/16	2 7/8	2	1 1/2	2 9/16	3/8"-16	1/2	0.7205	1.2205	SUC 201-8	SPA 204	1.5
202-10	5/8	15.9	33.3	73	50.8	38	65	UNC	13	18.3	31.0	202-10		
SUCSPA 204-12	3/4	19.1	1 1/16	2 7/8	2	1 1/2	2 9/16	3/8"-16	1/2	0.7205	1.2205	SUC 204-12	SPA 204	1.4
204	20	33.3	33.3	73	50.8	38	65	UNC	13	18.3	31.0	204		
SUCSPA 205-14	7/8	22.2	1 7/16	3	2	1 1/2	2 13/16	3/8"-16	1/2	0.7756	1.3386	SUC 205-14	SPA 205	1.8
205	25	36.5	76	50.8	38	71	UNC	13	19.7	34.0	205			
205-16	1	25.4	36.5	76	50.8	38	71	UNC	13	19.7	34.0	205-16		
SUCSPA 206-18	1 1/8	31.8	1 11/16	4	3	1 1/2	3 3/8	7/16"-14	5/8	0.8740	1.5000	SUC 206-18	SPA 206	2.9
206	30	42.9	102	76.2	38	86	UNC	16	22.2	38.1	206			
SUCSPA 206-19	1 3/16	38.1	42.9	102	76.2	38	86	UNC	16	22.2	38.1	SUC 206-19	SPA 206	2.9
206-20	1 1/4	38.1	42.9	102	76.2	38	86	UNC	16	22.2	38.1	206-20		
SUCSPA 207-20	1 1/4	35	1 7/8	4 1/4	3 1/4	1 7/8	3 3/4	1/2"-13	3/4	1.0000	1.6890	SUC 207-20	SPA 207	3.8
207-21	1 5/16	35	47.6	108	82.6	48	95	UNC	19	25.4	42.9	207-21		
SUCSPA 207-22	1 3/8	35	47.6	108	82.6	48	95	UNC	19	25.4	42.9	SUC 207-22	SPA 207	3.8
207	1 7/16	35	47.6	108	82.6	48	95	UNC	19	25.4	42.9	207		
SUCSPA 207-23	1 7/16	35	47.6	108	82.6	48	95	UNC	19	25.4	42.9	SUC 207-23	SPA 207	3.8
207	1 7/16	35	47.6	108	82.6	48	95	UNC	19	25.4	42.9	207		
SUCSPA 208-24	1 1/2	40	1 15/16	4 5/8	3 1/2	1 7/8	3 15/16	1/2"-13	3/4	1.1890	1.9370	SUC 208-24	SPA 208	4.2
208	40	49.2	117	88.9	48	100	UNC	19	30.2	49.2	208			
SUCSPA 209-27	1 11/16	45	2 1/8	5	3 3/4	2	4 1/4	1/2"-13	3/4	1.1890	1.9370	SUC 209-27	SPA 209	5.3
209-28	1 3/4	45	54.0	127	95.3	51	108	UNC	19	30.2	49.2	209-28		
209	45	54.0	127	95.3	51	108	UNC	19	30.2	49.2	209			
SUCSPA 210-31	1 15/16	50	2 1/4	5 1/2	4	2	4 5/8	5/8"-11	7/8	1.2835	2.0315	SUC 210-31	SPA 210	6.2
210	50	57.2	140	101.6	51	117	UNC	22	32.6	51.6	210			
SUCSPA 210-32	2S	50	57.2	140	101.6	51	117	UNC	22	32.6	51.6	SUC 210-32	SPA 210	6.2
210-32	2S	50	57.2	140	101.6	51	117	UNC	22	32.6	51.6	210-32		



SUCSHA Hanger Units All Stainless Steel



B-type Seal



L3-type Seal

B-type seal available in all styles and sizes.

L3-type seal available in SUC units only. Limited sizes. Consult IPTCI for speed limitations.

Unit No.	Shaft Dia.		Dimensions (in.) (mm)									Bearing No.	Housing No.	Weight (lbs.)	
	d (in.)	d (mm)	A	W	C	H	L	D	K	Bi	N				M
SUCSHA 205-14	7/8	22.2	2 3/4	3 29/32	0	2 33/64	1 9/16	3/4	PF 3/4	1.3386	0.5630	0.7756	SUC 205-14	SHA 205	1.6
205	25	70	99	0	64	40	19.1	-14	34.0	14.3	19.7	205			
SUCSHA 206-18	1 1/8	30	3 5/32	4 3/32	0	2 33/64	1 9/16	3/4	PF 3/4	1.5000	0.6260	0.8740	SUC 206-18	SHA 206	1.9
206	30	80	104	0	64	40	19.1	-14	38.1	15.9	22.2	206			
SUCSHA 206-19	1 3/16	30	80	104	0	64	40	19.1	-14	38.1	15.9	22.2	SUC 206-19	SHA 206	1.9
206-20	1 1/4	30	80	104	0	64	40	19.1	-14	38.1	15.9	22.2	206-20		
SUCSHA 207-20	1 1/4	35	3 5/8	4 9/16	0	2 3/4	1 9/16	3/4	PF 3/4	1.6890	0.6890	1.0000	SUC 207-20	SHA 207	2.6
207-21	1 5/16	35	92	116	0	70	40	19.1	-14	42.9	17.5	25.4	207-21		
SUCSHA 207-22	1 3/8	35	92	116	0	70	40	19.1	-14	42.9	17.5	25.4	SUC 207-22	SHA 207	2.6
207	1 7/16	35	92	116	0	70	40	19.1	-14	42.9	17.5	25.4	207		
SUCSHA 207-23	1 7/16	35	92	116	0	70	40	19.1	-14	42.9	17.5	25.4	SUC 207-23	SHA 207	2.6
207-23	1 7/16	35	92	116	0	70	40	19.1	-14	42.9	17.5	25.4	207-23		