

SUCSF & SNASF 4-Bolt Flange Units



All Stainless Steel



B-type Seal

B-type seal available in all styles and sizes.



L3-type Seal

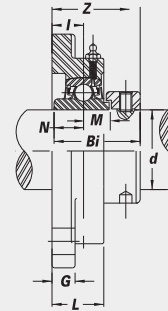
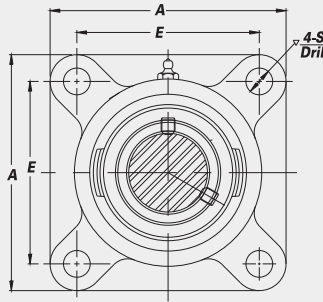
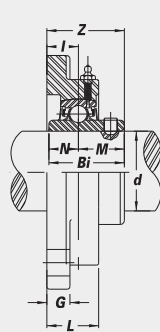
L3-type seal available in SUC units only. Limited sizes. Consult IPTCI for speed limitations.

SUCSF

• Set Screw Locking

SNASF

• With Eccentric Locking Collar



CORROSION RESISTANT

Unit No.	Shaft Dia.		Dimensions (in.) (mm)										Bolt Used (in.)	Bearing No.	Housing No.	Weight (lbs.)	
	d (in.)	d (mm)	A	E	I	G	L	S	Z	Bi	N	M					
SUCSF Set Screw Type																	
SUCSF 201-8	1/2	39/8	2 1/2	19/32	7/16	1	7/16	19/16	1.2205	0.5000	0.7205	3/8	SUC 201-8	SF 204	1.8		
202-10	5/8	86	64	15	11	25.4	11	33.3	31.0	12.7	18.3	3/8	SUC 202-10	SF 204	1.6		
SUCSF 204-12	3/4	20	86	64	15	11	25.4	11	33.3	31.0	12.7	3/8	SUC 204-12	SF 204	1.6		
SUCSF 205-14	7/8	25	95	70	16	13	27	11.5	35.7	34.0	14.3	3/8	SUC 205-14	SF 205	2.1		
205													SUC 205				
205-16	1												SUC 205-16				
SUCSF 206-18	1 1/8	30	108	83	18	13	31	13	40.2	38.1	15.9	7/16	SUC 206-18	SF 206	2.9		
206													SUC 206				
206-19	1 3/16												SUC 206-19				
206-20	1 1/4 S												SUC 206-20				
SUCSF 207-20	1 1/4	35	117	92	19	15	34	13	44.4	42.9	17.5	7/16	SUC 207-20	SF 207	3.8		
207-21	1 3/16												SUC 207-21				
207-22	1 3/8												SUC 207-22				
207													SUC 207				
207-23	1 7/16												SUC 207-23				
SUCSF 208-24	1 1/2	40	130	102	21	15	36	14	51.2	49.2	19.0	1/2	SUC 208-24	SF 208	4.9		
208													SUC 208				
SUCSF 209-27	1 11/16	45	137	105	22	16	38	16	52.2	49.2	19.0	9/16	SUC 209-27	SF 209	5.4		
209-28	1 3/4												SUC 209-28				
209													SUC 209				
SUCSF 210-31	1 5/8	50	143	111	22	16	40	16	54.6	51.6	20.315	9/16	SUC 210-31	SF 210	5.9		
210													SUC 210				
210-32	2 S												SUC 210-32				
SUCSF 211-32	2	162	130	25	18	43	17	58.4	55.6	22.2	33.4	5/8	SUC 211-32	SF 211	8.1		
211-35	2 3/16												SUC 211-35				
SUCSF 212-36	2 1/4	175	143	29	18	48	17	68.7	65.1	25.4	39.7	5/8	SUC 212-36	SF 212	10.0		
212-39	2 7/16												SUC 212-39				
SNASF Eccentric Locking Collar Type																	
SNASF 204-12	3/4	20	86	64	15	11	25.4	11	41.5	39.2	12.7	3/8	SNA 204-12	SF 204	1.7		
204													SNA 204				
SNASF 205-14	7/8	25	95	70	16	13	27	11.5	42.9	41.2	14.3	3/8	SNA 205-14	SF 205	2.2		
205													SNA 205				
205-16	1												SNA 205-16				
SNASF 206-18	1 1/8	30	108	83	18	13	31	13	48.1	46.0	15.9	7/16	SNA 206-18	SF 206	3.0		
206													SNA 206				
206-19	1 3/16												SNA 206-19				
206-20	1 1/4 S												SNA 206-20				
SNASF 207-20	1 1/4	35	117	92	19	15	34	13	51.3	49.8	17.5	7/16	SNA 207-20	SF 207	4.0		
207-22	1 3/8												SNA 207-22				
207													SNA 207				
207-23	1 7/16												SNA 207-23				
SNASF 208-24	1 1/2	40	130	102	21	15	36	14	55.9	53.9	19.0	1/2	SNA 208-24	SF 208	5.1		
208													SNA 208				
SNASF 209-28	1 3/4	45	137	105	22	16	38	16	56.9	53.9	19.0	9/16	SNA 209-28	SF 209	5.7		
													SNA 209				
SNASF 210-31	1 5/8	50	143	111	22	16	40	16	60.1	57.1	19.0	9/16	SNA 210-31	SF 210	6.3		
210-32	2 S												SNA 210-32				