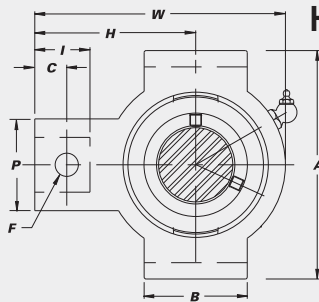
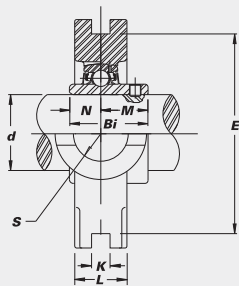


# Nickel Plated Take Up Units



Narrow Slot with optional bearing inserts:  
**Stainless Steel-SUCNPTRS**  
**Hard Chrome Coated-CUCNPTRS**  
**Black Oxide-BUCNPTRS**

- B-type Seals
- Overview of corrosion resistant products – pg. 48



B-type Seal

CORROSION RESISTANT

Unit No.	Shaft Dia.		Dimensions (in.) (mm)														Bearing No.	Housing No.	Weight (lbs.)
	d	(in.) (mm)	I	C	P	S	B	k	E	A	W	L	F	H	Bi	N			

## SUCNPTRS with Stainless Steel Bearing Inserts

SUCNPTRS 201-8 202-10 204-12 204	1/2 5/8 3/4	20	7/8	7/16	13/8	3/4	1 1/2	1/4	2 5/8	3 1/8	3 1/2	3/4	5/16	2 3/16	1.2205	0.5000	0.7205	SUC 201-8 202-10 204-12 204	NPTRS 204	1.7
SUCNPTRS 205-14 205 205-16	7/8 1	25	7/8	7/16	13/8	3/4	1 1/2	1/4	2 5/8	3 1/8	3 9/16	7/8	5/16	2 3/16	1.3386	0.5630	0.7756	SUC 205-14 205 205-16	NPTRS 205	1.9
SUCNPTRS 206-18 206 206-19 206-20	1 1/8 1 3/16 1 1/4S	30	1 5/16	1/2	1 3/8	7/8	2 1/2	5/16	3 1/2	4 1/8	4 5/16	1 5/16	5/16	2 11/16	1.5000	0.6260	0.8740	SUC 206-18 206 206-19 206-20	NPTRS 206	2.9
SUCNPTRS 207-20 207-21 207-22 207 207-23	1 1/4 1 5/16 1 3/8 1 7/16	35	1 5/16	1/2	1 3/8	7/8	2 1/2	5/16	3 1/2	4 1/8	4 1/2	1	5/16	2 11/16	1.6890	0.6890	1.0000	SUC 207-20 207-21 207-22 207 207-23	NPTRS 207	3.5
SUCNPTRS 208-24 208	1 1/2	40	1 5/32	2 1/32	1 5/8	1 1/8	3	5/16	4	4 3/4	5 3/8	1 3/16	3/8	3 1/4	1.9370	0.7480	1.1890	SUC 208-24 208	NPTRS 208	5.5

## CUCNPTRS with Hard Chrome Coated Bearing Inserts

CUCNPTRS 204-12 204	3/4	20	7/8	7/16	13/8	3/4	1 1/2	1/4	2 5/8	3 1/8	3 1/2	3/4	5/16	2 3/16	1.2205	0.5000	0.7205	CUC 204-12 204-8	NPTRS 204	1.7
CUCNPTRS 205-14 205 205-16	7/8 1	25	7/8	7/16	13/8	3/4	1 1/2	1/4	2 5/8	3 1/8	3 9/16	7/8	5/16	2 3/16	1.3386	0.5630	0.7756	CUC 205-14 205 205-16	NPTRS 205	1.9
CUCNPTRS 206-18 206 206-19 206-20	1 1/8 1 3/16 1 1/4S	30	1 5/16	1/2	1 3/8	7/8	2 1/2	5/16	3 1/2	4 1/8	4 5/16	1 5/16	5/16	2 11/16	1.5000	0.6260	0.8740	CUC 206-18 206 206-19 206-20	NPTRS 206	2.9
CUCNPTRS 207-20 207-22 207 207-23	1 1/4 1 3/8 1 7/16	35	1 5/16	1/2	1 3/8	7/8	2 1/2	5/16	3 1/2	4 1/8	4 1/2	1	5/16	2 11/16	1.6890	0.6890	1.0000	CUC 207-20 207-22 207 207-23	NPTRS 207	3.5
CUCNPTRS 208-24 208	1 1/2	40	1 5/32	2 1/32	1 5/8	1 1/8	3	5/16	4	4 3/4	5 3/8	1 3/16	3/8	3 1/4	1.9370	0.7480	1.1890	CUC 208-24 208	NPTRS 208	5.5

## BUCNPTRS with Black Oxide Bearing Inserts

BUCNPTRS 201-8 202-10 204-12 204	1/2 5/8 3/4	20	7/8	7/16	13/8	3/4	1 1/2	1/4	2 5/8	3 1/8	3 1/2	3/4	5/16	2 3/16	1.2205	0.5000	0.7205	BUC 201-8 202-10 204-12 204	NPTRS 204	1.7
BUCNPTRS 205-14 205 205-16	7/8 1	25	7/8	7/16	13/8	3/4	1 1/2	1/4	2 5/8	3 1/8	3 9/16	7/8	5/16	2 3/16	1.3386	0.5630	0.7756	BUC 205-14 205 205-16	NPTRS 205	1.9
BUCNPTRS 206-18 206 206-19 206-20	1 1/8 1 3/16 1 1/4S	30	1 5/16	1/2	1 3/8	7/8	2 1/2	5/16	3 1/2	4 1/8	4 5/16	1 5/16	5/16	2 11/16	1.5000	0.6260	0.8740	BUC 206-18 206 206-19 206-20	NPTRS 206	2.9
BUCNPTRS 207-20 207-22 207 207-23	1 1/4 1 3/8 1 7/16	35	1 5/16	1/2	1 3/8	7/8	2 1/2	5/16	3 1/2	4 1/8	4 1/2	1	5/16	2 11/16	1.6890	0.6890	1.0000	BUC 207-20 207-22 207 207-23	NPTRS 207	3.5
BUCNPTRS 208-24 208	1 1/2	40	1 5/32	2 1/32	1 5/8	1 1/8	3	5/16	4	4 3/4	5 3/8	1 3/16	3/8	3 1/4	1.9370	0.7480	1.1890	BUC 208-24 208	NPTRS 208	5.5