

Straub Grip-L Axial Restraint Pipe Couplings

Application:

- Straub Grip-L couplings are particularly suitable for pipes within the lower pressure range. Applications include, but are not limited to: ship building, water and waste water treatment plants and industrial process pipe work.

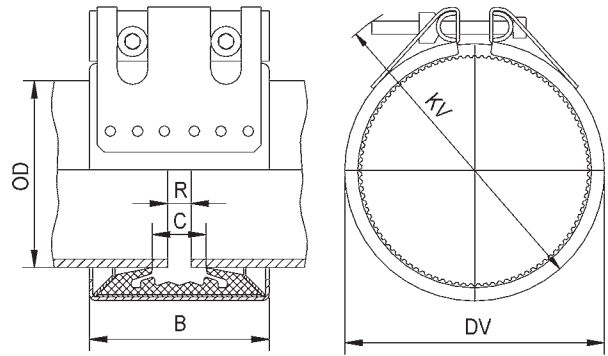
Features:

- Joins like or dissimilar pipe materials: steel, galvanized, painted, stainless steel, thin-wall stainless steel, PVC, copper
- Requires no special tools or pipe-end preparation; only a torque wrench is required for a secure and safe pipe connection that seldom needs retightening.
- highest quality 316 Ti stainless steel construction
- accommodates up to 5° of pipe misalignment
- vary gap between pipe ends
- absorbs vibration, water hammer and sound
- special patented grip ring for superior holding power on hard-surfaced pipes
- 5 year limited warranty
- reusable
- built to ASTM 1476, Type 2, Class 2 specifications

- casing: AISI 316Ti
- screws: AISI 316 L
- bolts: AISI 316 Ti
- anchoring ring: AISI 301
- sealing sleeve: EPDM standard (NBR and FKM are also available, contact Dixon for additional information)
- EPDM sealing sleeve: temperature range - 4°F to 176°F (-20°F to 212°F)

Specifications:

- American Bureau of Shipping (ABS)
up to 232 PSI on ¾" - 5"; 188 PSI on 6"; 145 PSI on 8"
- Underwriter's Laboratories (UL)
- National Sanitation Foundation (NSF)



| Size | Pipe OD | | Working Pressure PSI | Coupling Dimensions | | Assembled Dimensions | | Maximum Distance Between Pipe End R | Stainless Steel | |
|------|---------|---------------------|-------------------------|---------------------|------|----------------------|-------|---|-----------------|----------|
| | actual | range min to max | | B | C | DV | KV | | Part # | Price/E |
| ¾" | 1.05" | 1.04" to 1.08" | 670 | 1.8" | 0.7" | 1.7" | 2.8" | 0.2" | STR20000 | \$169.30 |
| 1" | 1.31" | 1.31" to 1.35" | 550 | 1.8" | 0.7" | 2" | 3" | 0.2" | STR20100 | 179.30 |
| 1½" | 1.90" | 1.88" to 1.92" | 440 | 2.4" | 1.0" | 2.6" | 3.9" | 0.2" | STR20300 | 221.95 |
| 2" | 2.37" | 2.35" to 2.40" | 320 | 3.0" | 1.5" | 3.1" | 4.3" | 0.4" | STR20450 | 259.90 |
| 2½" | 2.87" | 2.85" to 2.90" | 450 | 3.7" | 1.6" | 3.9" | 5.3" | 0.4" | STR20500 | 331.35 |
| 3" | 3.50" | 3.46" to 3.54" | 320 | 3.7" | 1.6" | 4.4" | 5.9" | 0.4" | STR20650 | 365.00 |
| 4" | 4.50" | 4.46" to 4.54" | 232 | 3.7" | 1.6" | 5.4" | 6.7" | 0.4" | STR20900 | 403.65 |
| 5" | 5.50" | 5.51" to 5.62" | 232 | 4.3" | 2.1" | 6.5" | 8.3" | 0.4" | STR21150 | 598.10 |
| 6" | 6.63" | 6.56" to 6.69" | 232 | 4.3" | 2.1" | 7.6" | 9.1" | 0.4" | STR21350 | 650.45 |
| 8" | 8.63" | 8.54" to 8.71" | 232 | 5.6" | 3.1" | 9.8" | 11.6" | 0.4" | STR21400 | 1136.50 |

- ¾" - 2" couplings have only one bolt

All Straub couplings require the correct use of a torque wrench for a safe and proper installation. Straub couplings must be torqued to the specified value as printed on each individual coupling. Failure to do so can result in serious injury or death.
Not for steam or refrigerant service.



R