

BALDOR® • RELIANCE 

Product Information Packet

RL1309A

1HP,3450RPM,1PH,60HZ,56/56H,3520L,OPEN

Part Detail							
Revision:	AT	Status:	INA/A	Change #:		Proprietary:	No
Type:	AC	Elec. Spec:	35WG0257	CD Diagram:	CD0052	Mfg Plant:	
Mech. Spec:	35E410	Layout:	35LYE410	Poles:	02	Created Date:	06-21-2007
Base:	RS	Eff. Date:	03-07-2017	Leads:	4#16 A&J,2#18 B PH,1#14 #1TH		

Specs			
Catalog Number:	RL1309A	Inverter Code:	Not Inverter
Enclosure:	OPEN	KVA Code:	L
Frame:	56/56H	Lifting Lugs:	No Lifting Lugs
Frame Material:	Steel	Locked Bearing Indicator:	No Locked Bearing
Output @ Frequency:	1.000 HP @ 60 HZ	Motor Lead Quantity/Wire Size:	4 @ 16 AWG, A&J
Synchronous Speed @ Frequency:	3600 RPM @ 60 HZ	Motor Lead Exit:	Terminal Panel
Voltage @ Frequency:	115.0 V @ 60 HZ	Motor Lead Termination:	Flying Leads
	230.0 V @ 60 HZ	Motor Type:	3520L
XP Class and Group:	None	Mounting Arrangement:	F1
XP Division:	Not Applicable	Power Factor:	69
Agency Approvals:	UR	Product Family:	General Purpose
	CSA	Pulley End Bearing Type:	Ball
Auxillary Box:	No Auxillary Box	Pulley Face Code:	Resilient Mount
Auxillary Box Lead Termination:	None	Pulley Shaft Indicator:	Standard
Base Indicator:	Resilient	Rodent Screen:	None
Bearing Grease Type:	Polyrex EM (-20F +300F)	RoHS Status:	ROHS COMPLIANT
Blower:	None	Shaft Extension Location:	Pulley End
Current @ Voltage:	14.600 A @ 115.0 V	Shaft Ground Indicator:	No Shaft Grounding

	7.300 A @ 230.0 V	Shaft Rotation:	Reversible: Connected Standard
Design Code:	N	Shaft Slinger Indicator:	No Slinger
Drip Cover:	No Drip Cover	Speed Code:	Single Speed
Duty Rating:	CONT	Motor Standards:	NEMA
Electrically Isolated Bearing:	Not Electrically Isolated	Starting Method:	Direct on line
Feedback Device:	NO FEEDBACK	Thermal Device - Bearing:	None
Front Face Code:	Terminal Panel	Thermal Device - Winding:	None
Front Shaft Indicator:	None	Vibration Sensor Indicator:	No Vibration Sensor
Heater Indicator:	No Heater	Winding Thermal 1:	Automatic Thermal Overload
Insulation Class:	B	Winding Thermal 1 Location:	SB
		Winding Thermal 2:	None

Nameplate NP1257L	
CAT.NO.	RL1309A
SPEC.	35E410-257
HP	1
VOLTS	115/230
AMP	14.6/7.3
RPM	3450
FRAME	56/56H
	HZ 60
	PH 1
SER.F.	1.25
	CODE L
	DES N
	CL B
NEMA-NOM-EFF	63
	PF 69
RATING	40C AMB-CONT
CC	USABLE AT 208V 7.8
DE	6203
	ODE 6203
ENCL	OPEN
	SN
	SFA 16/8

Parts List		
Part Number	Description	Quantity
SA024163	SA 35E410-257	1.000 EA
RA020213	RA 35E410-257	1.000 EA
EC1400A03SP	ELEC CAP, 400-480 MFD, 125V, 1.81D X 3.	1.000 EA
TP5059	GENERIC THERMAL KIT	1.000 EA
35CB4500SP	TERMINAL BOX LID STAMPED	1.000 EA
51XW0832A07	8-32 X .44, TAPTITE II, HEX WSHR SLTD SE	2.000 EA
11XT0832G06	8-32 X 3/8 TY 23 TAPPING	1.000 EA
LD5000A01	LEAD ASSY, ML1400DF14 7" RING TRM EA END	1.000 EA
51XW1032A06	10-32 X .38, TAPTITE II, HEX WSHR SLTD S	2.000 EA
HW1003A10	WASHER, #10 EX TH LK, ZN X	2.000 EA
35EP3202A01	STD OPEN FR EP - RESILIENT MTD	1.000 EA
51XW0832A07	8-32 X .44, TAPTITE II, HEX WSHR SLTD SE	3.000 EA
RM1000A02	CUSHION RING, MODEL 35 SAME AS A07	1.000 EA
35CB4802A02SP	CAPACITOR COVER, STAMPED X	1.000 EA
HA6005A01A	CLAMP CUSHION RING ASSY 35 FRAME	1.000 EA
XY1032A02	10-32 HEX NUT DIRECTIONAL SERRATION	4.000 EA
NS2501A01	INSULATOR, CAPACITOR	1.000 EA
51XB1016A05	10-16X5/16HX WA SL SR TYB (F/S)	2.000 EA
HW5100A03	WAVY WASHER (W1543-017)	1.000 EA
35EP3203A01	STD PU EP, OPEN RESIL MTG	1.000 EA
RM1000A02	CUSHION RING, MODEL 35 SAME AS A07	1.000 EA
HA6005A01A	CLAMP CUSHION RING ASSY 35 FRAME	1.000 EA
HW2501D13	KEY, 3/16 SQ X 1.375	1.000 EA
HA7000A04	KEY RETAINER 0.625 DIA SHAFTS	1.000 EA

Parts List (continued)		
Part Number	Description	Quantity
85XU0407S04	4X1/4 U DRIVE PIN STAINLESS	2.000 EA
WD4100A01	DP-875 HEYCO PLUG OR 62MP0875 MICRO PLAS	1.000 EA
MJ1000A02	GREASE, POLYREX EM EXXON (USe 4824-15A)	0.050 LB
MG1000G27	MED CHARCOAL METALLIC GREY 400-0096	0.017 GA
35BA4002A01	RESILIENT BASE, STAMPED	1.000 EA
SP5066A01	35 TERM PANEL SWITCH W/E-BLK, 8-RED	1.000 EA
HA3100A28	THRUBOLT 10-32 X 8.187	4.000 EA
MG5024	VARNISH PEDIGREE® 8183 VT POLYESTER	0.050 GA
LB1118	LABEL,WARNING (ROLL LABEL)	1.000 EA
LC0052	CONNECTION LABEL	1.000 EA
NP1257L	ALUM UL CSA CC THERMAL REV MTG	1.000 EA
35PA1005	PKG GRP, BLANK PK1012	1.000 EA

AC Induction Motor Performance Data
Record # 8053 - Typical performance - not guaranteed values

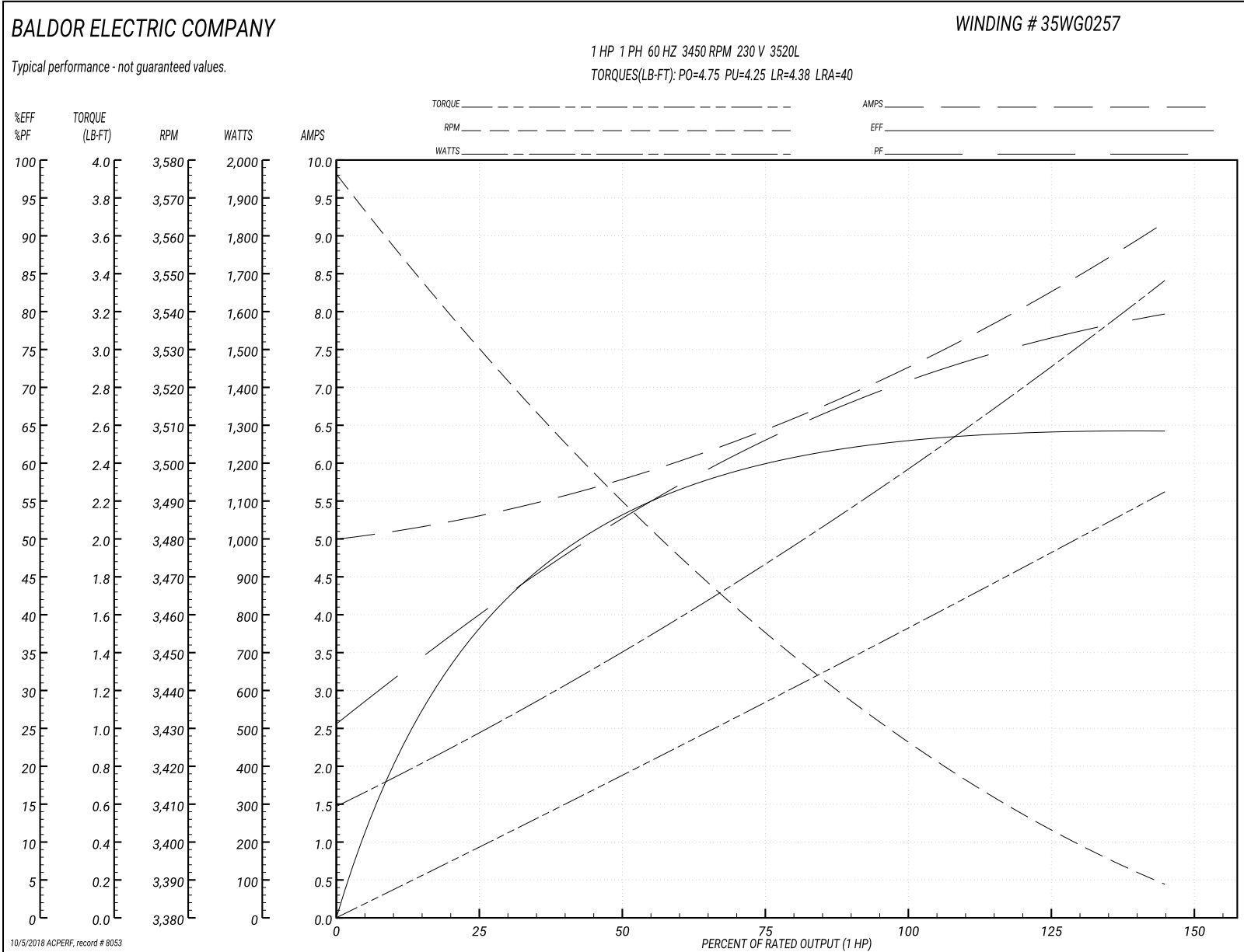
Winding: 35WG0257-R001	Type: 3520L	Enclosure: OPEN
-------------------------------	--------------------	------------------------

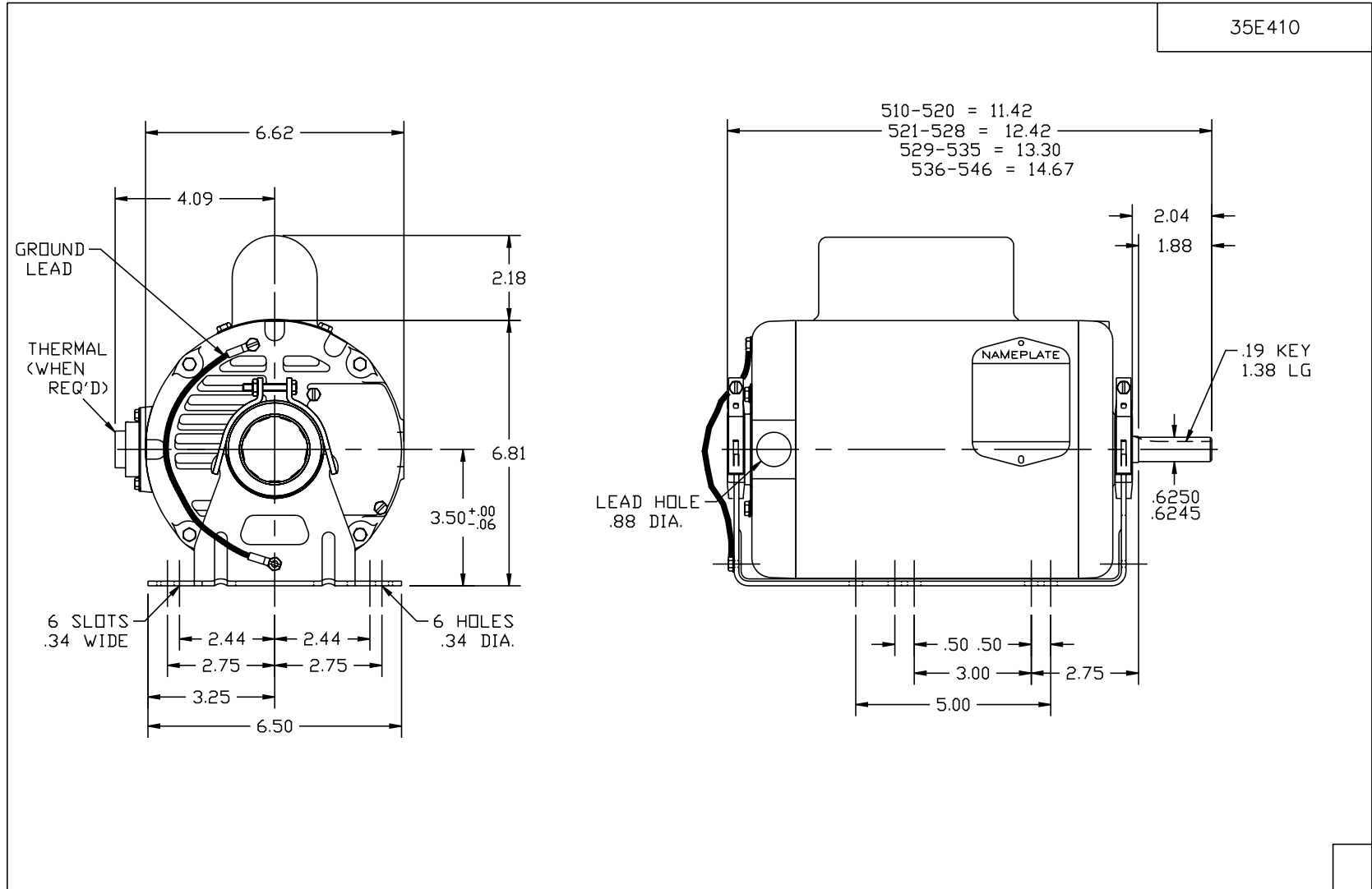
Nameplate Data				230 V, 60 Hz: High Voltage Connection	
Rated Output (HP)	1			Full Load Torque	1.5 LB-FT
Volts	115/230			Start Configuration	direct on line
Full Load Amps	14.6/7.3			Breakdown Torque	4.75 LB-FT
R.P.M.	3450			Pull-up Torque	4.25 LB-FT
Hz	60	Phase	1	Locked-rotor Torque	4.38 LB-FT
NEMA Design Code	N	KVA Code	L	Starting Current	40 A
Service Factor (S.F.)	1.25			No-load Current	5.1 A
NEMA Nom. Eff.	63	Power Factor	69	Line-line Res. @ 25°C	2.19 Ω A Ph 1.71 Ω B Ph
Rating - Duty	40C AMB-CONT			Temp. Rise @ Rated Load	39°C
S.F. Amps	16/8			Temp. Rise @ S.F. Load	47°C

Load Characteristics 230 V, 60 Hz, 1 HP

% of Rated Load	25	50	75	100	125	150	S.F.
Power Factor	38	53	64	71	76	80	76
Efficiency	36.4	53.8	60.1	62.8	64.2	64.1	64.2
Speed	3510	3484	3464	3436	3411	3381	3411
Line amperes	5.2	5.7	6.4	7.2	8.4	9	8.4

Performance Graph at 230V, 60Hz, 1.0HP Typical performance - Not guaranteed values



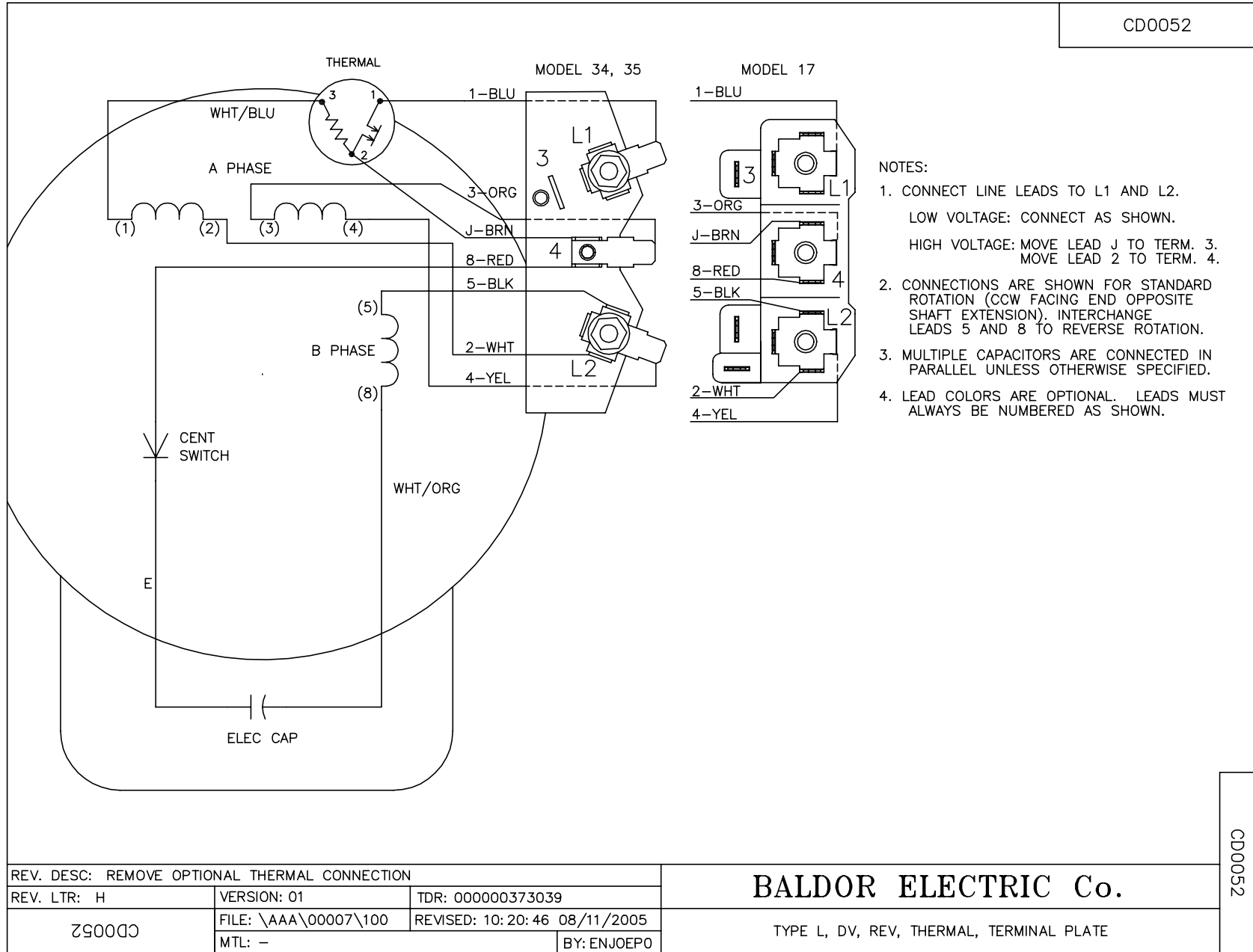


35E410

CUST. NAME		CUST. P.O.		CERTIFIED BY		MODEL		INSUL		AMB	
H.P.		MTG		TYPE		R.P.M.		VOLTS		ENCL	
PHASE		FREQ		FRAME		REMARKS:					
REV:	D	UPDATED TO ACAD									
017392		SCALE: .3	BY: PGM	REVISED: 06/30/94		<h2>BALDOR ELECTRIC Co.</h2> <p>STANDARD RESIL MTD NEMA 56/56H OPEN 35L W/TERM PANEL</p>					
35E410		FILE: AAA00012336	TDR: 0046763								

35E410

CD0052



CD0052

REV. DESC: REMOVE OPTIONAL THERMAL CONNECTION		
REV. LTR: H	VERSION: 01	TDR: 000000373039
Z90052	FILE: \AAA\00007\100	REVISED: 10:20:46 08/11/2005
	MTL: -	BY: ENJOEPO

BALDOR ELECTRIC Co.

TYPE L, DV, REV, THERMAL, TERMINAL PLATE