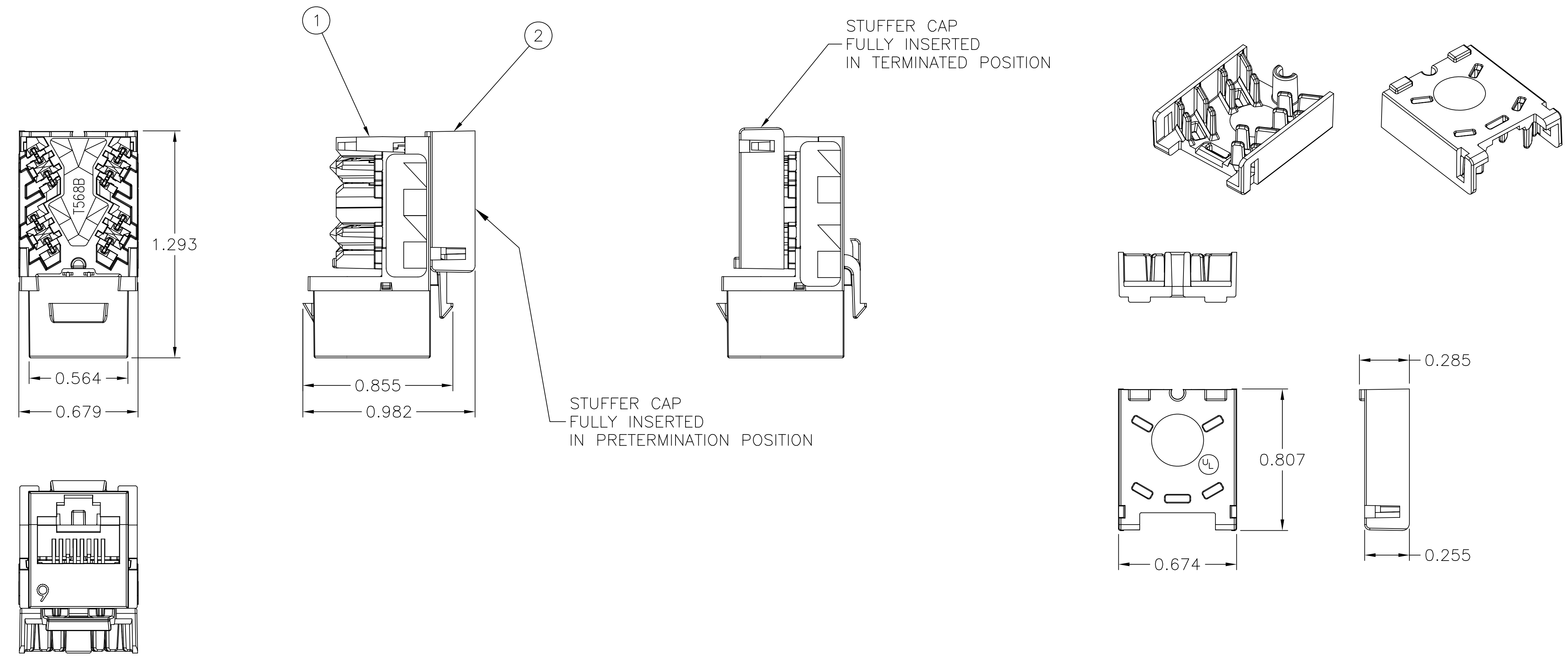
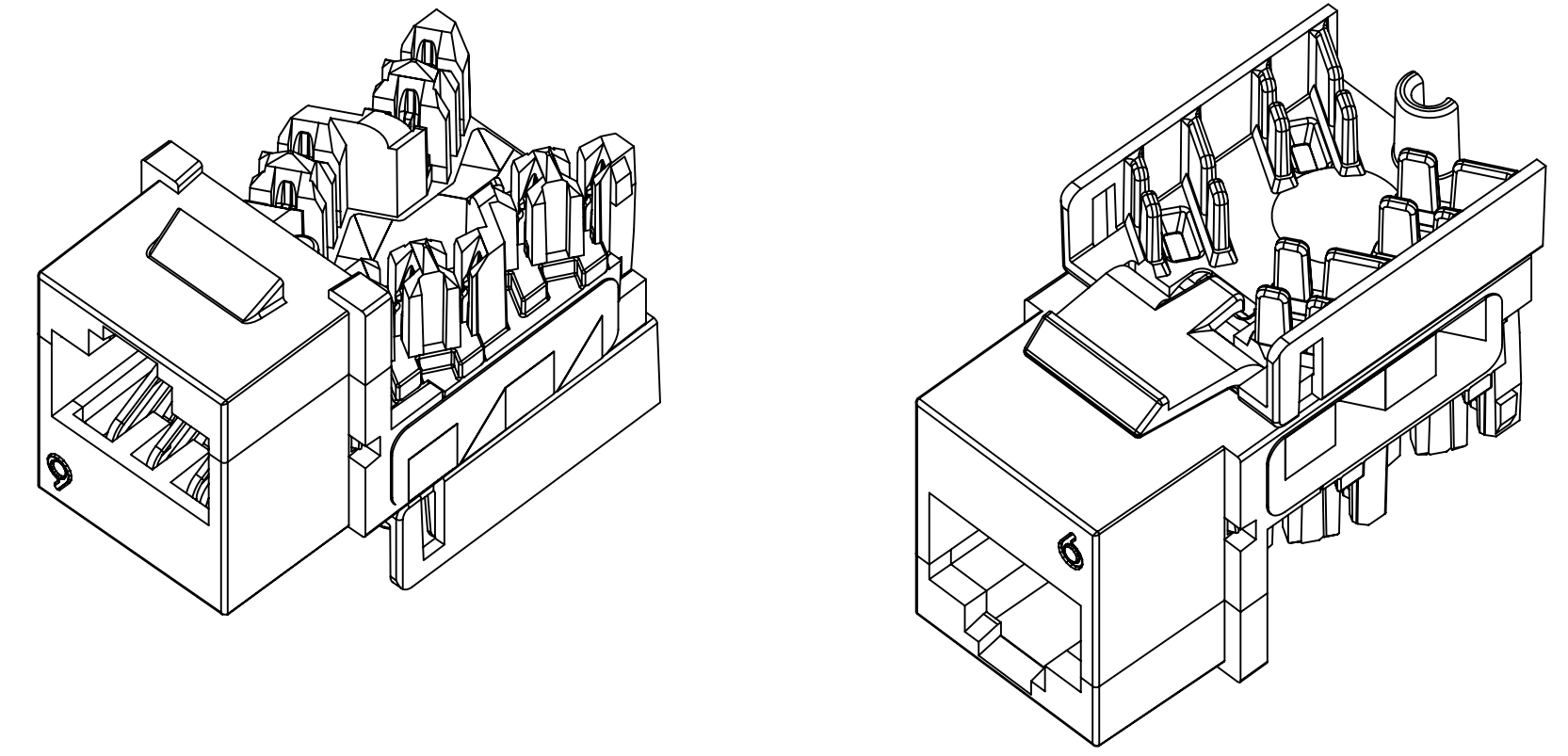


| ITEM NO. | DESCRIPTION | QTY. |
|----------|-----------------------------|------|
| 1 | netSELECT NSJ6 SERIES JACKS | 1 |
| 2 | STUFFER CAP | 1 |

| CATALOG NUMBER 25PK | CATALOG NUMBER | COLOR | LASER MARKING |
|---------------------|----------------|----------------|---------------|
| NSJ6B25 | NSJ6B | BLUE | N6B |
| NSJ6AL25 | NSJ6AL | ALMOND | N6AL |
| NSJ6W 25 | NSJ6W | WHITE | N6W |
| NSJ6BK25 | NSJ6BK | BLACK | N6BK |
| NSJ6I25 | NSJ6I | ELECTRIC IVORY | N6I |
| NSJ6GY25 | NSJ6GY | GRAY | N6GY |
| NSJ6OR25 | NSJ6OR | ORANGE | N6OR |
| NSJ6OW 25 | NSJ6OW | OFFICE WHITE | N6OW |
| NSJ6LA25 | NSJ6LA | LIGHT ALMOND | N6OW |
| NSJ6GN25 | NSJ6GN | GREEN | N6GN |
| NSJ6Y 25 | NSJ6Y | YELLOW | N6Y |
| NSJ6R25 | NSJ6R | RED | N6R |



- NOTES**
UNLESS OTHERWISE SPECIFIED:
1. UL LISTED: E129878
 2. CSA CERTIFIED: LR 80837
 3. NOSE CONTACTS ARE BERYLLIUM COPPER WITH 50 MICRO INCH GOLD PLATING IN MATING AREA
 4. IDC CONTACTS ARE TIN LEAD PLATED
 5. ALL CONTACTS ARE UNDERPLATED IN NICKEL
 6. SPECIFICATIONS SUBJECT TO CHANGE WITHOUT NOTICE

| REV. | ECN | DATE | DESCRIPTION | CHG BY | APPD BY |
|------|------|----------|--------------------------------------|--------|---------|
| D | 6058 | 02/12/07 | ADDED GREEN, ORANGE AND RED VERSIONS | MMA | |

Created on AUTOCAD

DIMENSIONING AND TOLERANCE PER ANSI Y14.5M-1982 UNLESS OTHERWISE SPECIFIED, DIMENSIONS ARE IN INCHES (MM).
TOLERANCES
.XX = ±.01 (.25)
.XXX = ±.005 (.127)
.XXXX = ±.0025 (.0635)
ANGLE TOL ±1°

IN ACCEPTING OUR DRAWINGS, BLUEPRINTS, OR SUPPORTING DOCUMENTATION FOR QUOTATION OR OTHER PURPOSES, YOU AGREE NOT TO DISCLOSE TO OTHERS THE IDEAS, INFORMATION, OR DESIGNS SHOWN HEREIN, AND THAT YOU WILL MAKE NO USE OF SAME WITHOUT PERMISSION

PROJECT REFERENCE:

MATERIAL:

DRAWN BY:
N. HERRING 6/29/06

CHECKED BY:

APPROVED BY:

HUBBELL Hubbell Premise Wiring
HUBBELL INCORPORATED (Delaware)
14 Lord's Hill Road, Stonington, Connecticut 06378

TITLE:
netSELECT
NSJ6 SERIES
JACKS

SIZE: **C** DRAWING NO.: **HWS12232C** REV.: **D**

SCALE: 2/1 SHEET 1 OF 1