

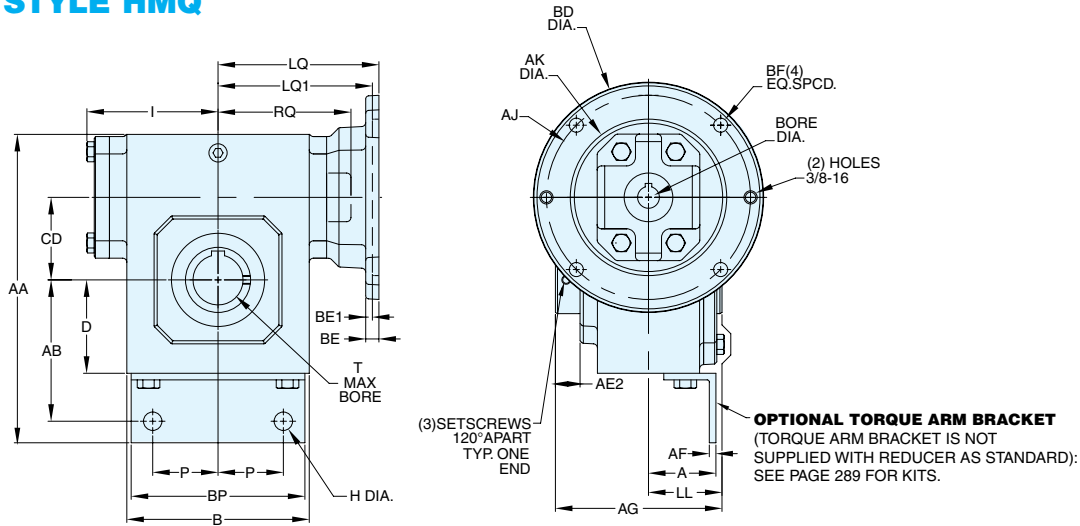


NH SERIES DIMENSIONS

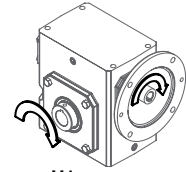
STYLES: HMQ, HM, H



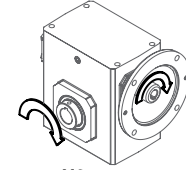
STYLE HMQ



ASSEMBLIES



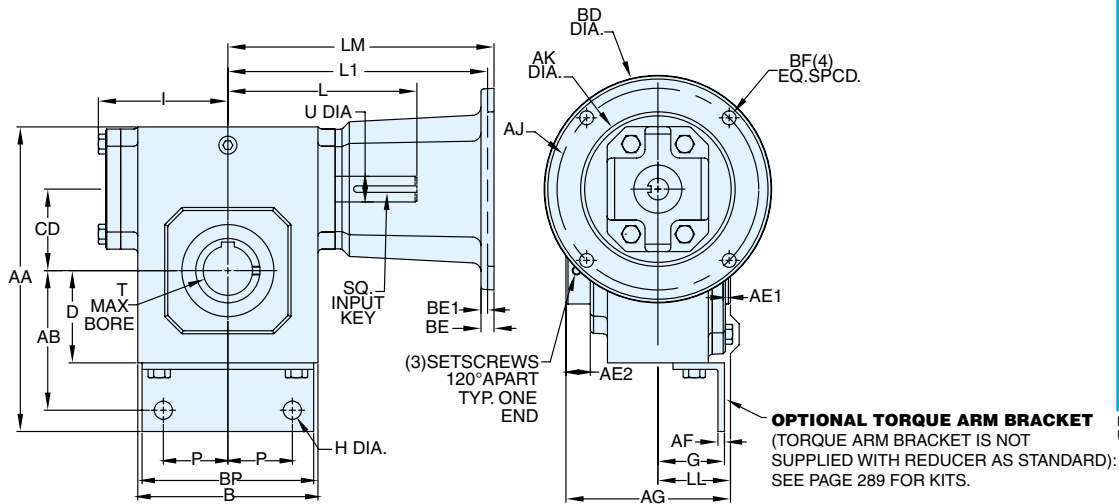
H1



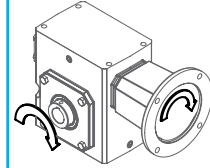
H2

H1 SUPPLIED AS STANDARD UNLESS OTHERWISE SPECIFIED.

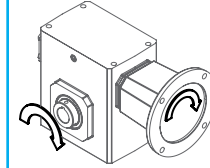
STYLE HM



ASSEMBLIES



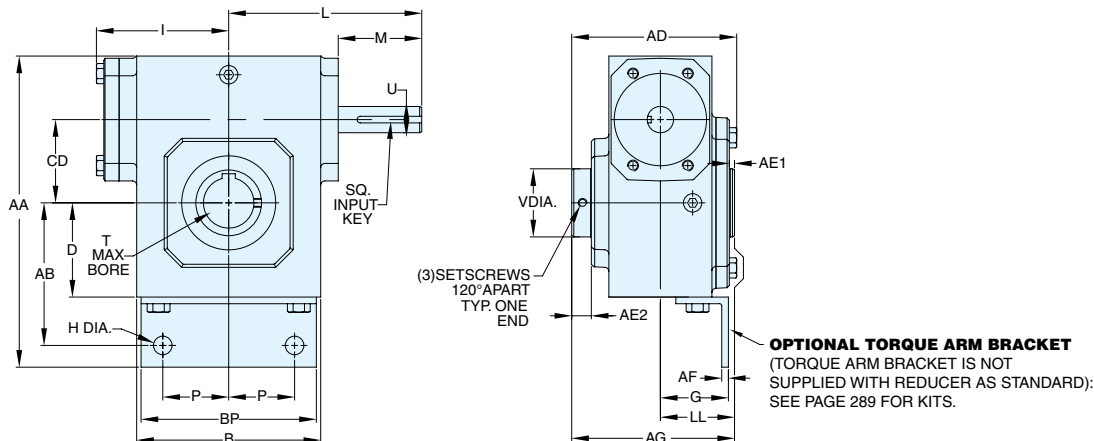
H1



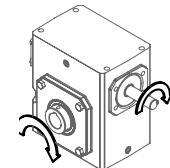
H2

H1 SUPPLIED AS STANDARD UNLESS OTHERWISE SPECIFIED.

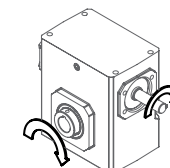
STYLE H



ASSEMBLIES



H1



H2

REVERSE ALL ARROWS FOR OPPOSITE INPUT SHAFT ROTATION. CONTACT FACTORY FOR OTHER MOUNTINGS OR ASSEMBLY POSITIONS.

H1 SUPPLIED AS STANDARD UNLESS OTHERWISE SPECIFIED.



STYLE HMQ, HM, H DIMENSIONS (Inches)

Size	AA	AB	AD	AE2	AF	AG	B	C	CD	D	G	H	I	L	LL	M	P	V	T MAX* -0.000 +0.0025	U +0.000 -0.0015	Input Key* ‡	Output Key*
NH813	6.66	3.10	3.90	0.53	0.19	4.75	3.80	4.66	1.33	1.72	1.88	0.53	2.61	3.82	2.38	1.76	1.38	1.00	0.625	0.500	1/8 X 1.00	3/16 x 1.50
NH815	7.00	3.26	3.59	0.51	0.19	4.08	4.06	5.00	1.54	1.88	1.82	0.53	3.14	4.35	1.88	1.76	1.38	1.00	0.625	0.625	3/16 X 1.38	3/16 x 1.50
NH818	7.44	3.44	3.83	0.56	0.19	4.29	4.50	5.44	1.75	2.06	1.82	0.53	3.24	4.45	1.98	1.76	1.38	1.44	1.000	0.625	3/16 X 1.38	1/4 x 3.00
NH821	8.00	3.69	3.57	0.85	0.19	4.65	4.50	6.00	2.06	2.31	1.82	0.53	3.61	4.82	2.12	1.76	1.38	1.94	1.500	0.625	3/16 X 1.38	3/8 x 3.00
NH824	8.88	4.07	4.16	0.56	0.19	4.65	5.25	6.88	2.38	2.69	1.94	0.53	3.77	5.51	2.12	2.38	1.88	1.94	1.500	0.750	3/16 X 1.63	3/8 x 3.00
NH826	9.38	4.32	4.15	0.56	0.19	4.65	5.75	7.38	2.63	2.94	1.94	0.53	4.34	6.07	2.12	2.38	1.88	1.94	1.500	0.750	3/16 X 1.63	3/8 x 3.00
NH830	10.25	4.76	4.67	0.56	0.25	5.16	6.62	8.25	3.00	3.38	2.32	0.53	4.84	6.57	2.38	2.38	2.38	2.51	2.188	0.875	3/16 X 1.63	1/2 x 3.00
NH832	12.06	5.57	5.83	0.57	0.25	6.31	8.00	10.06	3.25	4.19	2.87	0.53	5.02	6.76	2.95	2.38	3.51	2.51	2.188	0.875	3/16 X 1.63	1/2 x 3.00
NH842	14.00	6.38	7.53	0.63	0.38	8.50	9.75	11.50	4.25	4.50	3.26	0.53	6.10	9.57	4.25	3.47	3.69	2.75	2.188	1.250	1/4 X 2.50	1/2 x 3.00
NH852	15.19	6.76	8.81	0.97	0.38	10.50	11.00	12.69	5.25	4.88	3.63	0.53	7.50	10.88	5.25	3.38	4.62	4.26	3.438	1.250	1/4 X 3.00	7/8 x 3.44

MOTOR MOUNTING DIMENSIONS

NEMA DIMENSIONS (Inches)

Size	LM		L1		LQ		LQ1			RQ		
	48CZ	56C/140TC	180TC/210TC	250TC	48CZ/56C/140TC	180TC	210TC	250TC	48CZ/56C/140TC	180TC	210TC	250TC
NH813	5.63	6.07	N/A	N/A	3.46	N/A	N/A	N/A	3.09	N/A	N/A	N/A
NH815	6.16	6.60	N/A	N/A	3.99	N/A	N/A	N/A	3.62	N/A	N/A	N/A
NH818	6.26	6.70	N/A	N/A	4.09	N/A	N/A	N/A	3.59	N/A	N/A	N/A
NH821	6.63	7.07	N/A	N/A	4.46	N/A	N/A	N/A	4.06	N/A	N/A	N/A
NH824	N/A	7.76	8.76	N/A	4.63	5.06	N/A	N/A	4.09	4.56	N/A	N/A
NH826	N/A	8.32	9.32	N/A	5.19	5.62	N/A	N/A	4.82	5.13	N/A	N/A
NH830	N/A	8.82	9.82	N/A	5.69	6.12	6.56	N/A	5.32	5.63	6.06	N/A
NH832	N/A	9.01	10.01	N/A	5.88	6.31	6.75	N/A	5.51	5.81	6.25	N/A
NH842	N/A	11.81	12.90	13.46	6.45	7.21	7.21	7.77	6.04	6.68	6.68	7.24
NH852	N/A	13.21	14.30	14.86	7.85	8.61	8.61	9.17	7.35	7.98	7.98	8.54

NEMA DIMENSIONS (Inches)

Frame	AJ	AK	BD	BE	BE1	Bore Dia.	Keyway	BF
48CZ	3.75	3.00	4.36	0.38	N/A	0.500	1/8 X 1/16	0.28
56C	5.88	4.50	6.50	0.38	N/A	0.625	3/16 X 3/32	0.41
140TC	5.88	4.50	6.50	0.38	N/A	0.875	3/16 X 3/32	0.41
180TC	7.25	8.50	9.00	N/A	0.50	1.125	1/4 X 1/8	0.53
210TC	7.25	8.50	9.00	N/A	0.50	1.375	5/16 X 5/32	0.53
250TC	7.25	8.50	9.00	N/A	0.50	1.625	3/8 X 3/16	0.53

IEC B5 & B3/B5 METRIC DIMENSIONS (Inches)

Size	LQ1						RQ					
	D63D	D71D	D80D	D90D	D100LD/D112MD	D132D	D63D	D71D	D80D	D90D	D100LD/D112MD	D132D
NH813	2.62	2.65	2.89	N/A	N/A	N/A	2.45	2.47	2.71	N/A	N/A	N/A
NH815	3.15	3.18	3.42	N/A	N/A	N/A	2.98	3.00	3.24	N/A	N/A	N/A
NH818	3.25	3.28	3.52	N/A	N/A	N/A	2.95	2.97	3.21	N/A	N/A	N/A
NH821	3.62	3.65	3.89	N/A	N/A	N/A	3.43	3.44	3.68	N/A	N/A	N/A
NH824	N/A	3.72	4.34	N/A	N/A	N/A	N/A	3.46	3.71	N/A	N/A	N/A
NH826	N/A	4.28	4.90	4.90	5.30	N/A	N/A	4.09	4.72	4.72	5.07	N/A
NH830	N/A	4.78	5.41	5.41	5.80	N/A	N/A	4.59	5.22	5.22	5.57	N/A
NH832	N/A	4.97	5.59	5.59	5.99	N/A	N/A	4.78	5.41	5.41	5.76	N/A
NH842	N/A	N/A	N/A	6.38	6.39	7.17	N/A	N/A	N/A	6.16	6.14	6.93
NH852	N/A	N/A	N/A	7.78	7.78	8.57	N/A	N/A	N/A	7.46	7.45	8.24

IEC B5 & B3/B5 METRIC DIMENSIONS (MM)

Frame	AJ	AK	BD	BE	Bore Dia.	Keyway	BF TAP	OD
D63D	115	95	117	10	11	4 X 2	M8 X 1.25	131
D71D	130	110	132	11	14	5 X 2.5	M8 X 1.25	146
D80D	165	130	165	15	19	6 X 3	M10 X 1.50	184
D90D	165	130	165	15	24	8 X 3.5	M10 X 1.50	184
D100LD/D112MD	215	180	216	18	28	8 X 3.5	M12 X 1.75	237
D132D	265	230	267	18	38	10 X 4	M12 X 1.75	290

* Max bore dimensions shown. For additional bores available, refer to page 128.

◆ Keyway width by depth

■ 48CZ not available

◇ Metric IEC B5 input flange options are available only on quill input styles.

* Style H and HM only.

Note: Torque arm bracket available separately. Refer to page 289 for kits. If a special bracket is required, refer to Style BMQ dimensions for mounting pad dimensions on top/bottom of reducer.



For safety, purchaser or user should provide protective guards over shaft extensions and any couplings, sheaves and belts, sprockets and chains, etc., mounted thereon.

GROVE GEAR OE SERIES INTERCHANGE GUIDE

Grove Gear OE Series	Grove Gear IRONMAN NH Series
YF	HMQ
YFC	HM
Y	H

Refer to page 8 for complete interchange guide for original Grove Gear OE Series products.

All dimensions shown are for reference only. Contact Factory for certified dimensions.