

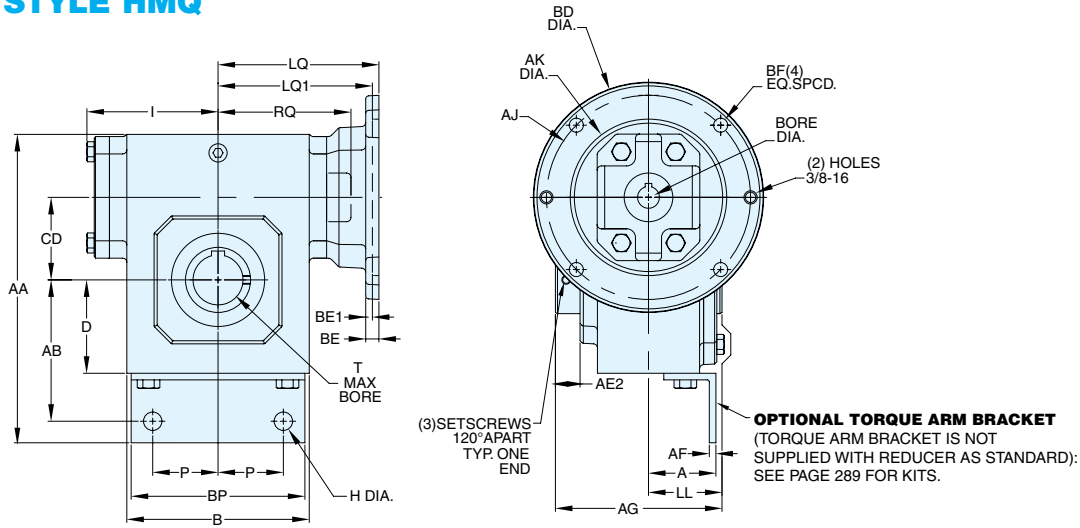


# NH SERIES DIMENSIONS

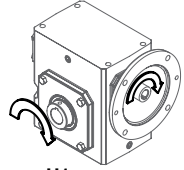
STYLES: HMQ, HM, H



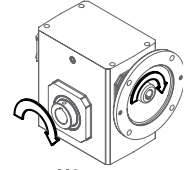
## STYLE HMQ



### ASSEMBLIES



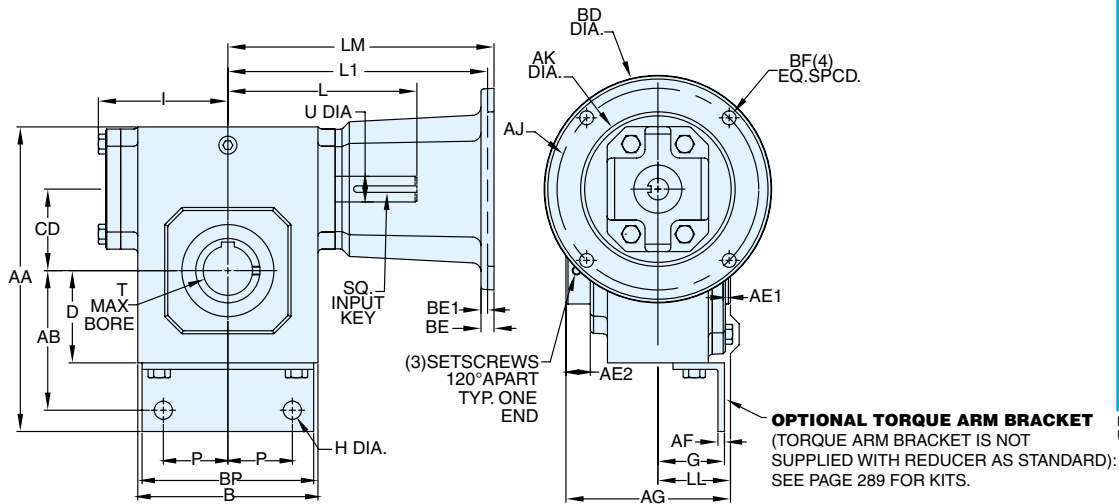
H1



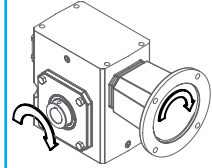
H2

H1 SUPPLIED AS STANDARD UNLESS OTHERWISE SPECIFIED.

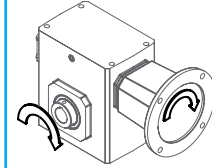
## STYLE HM



### ASSEMBLIES



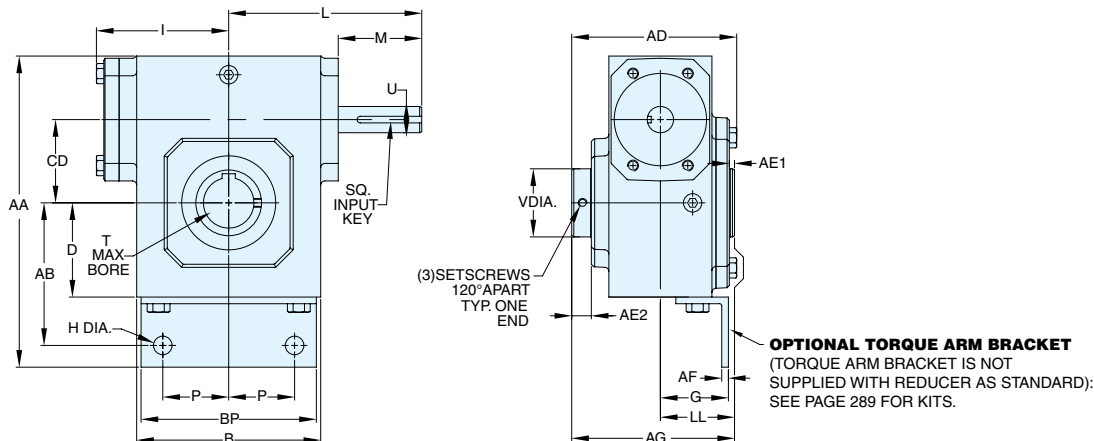
H1



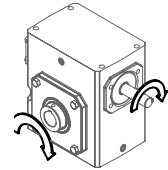
H2

H1 SUPPLIED AS STANDARD UNLESS OTHERWISE SPECIFIED.

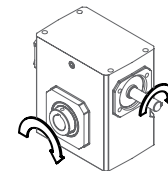
## STYLE H



### ASSEMBLIES



H1



H2

REVERSE ALL ARROWS FOR OPPOSITE INPUT SHAFT ROTATION. CONTACT FACTORY FOR OTHER MOUNTINGS OR ASSEMBLY POSITIONS.

H1 SUPPLIED AS STANDARD UNLESS OTHERWISE SPECIFIED.



**STYLE HMQ, HM, H DIMENSIONS (Inches)**

Size	AA	AB	AD	AE2	AF	AG	B	C	CD	D	G	H	I	L	LL	M	P	V	T MAX* -0.000 +0.0025	U +0.000 -0.0015	Input Key**	Output Key*
NH813	6.66	3.10	3.90	0.53	0.19	4.75	3.80	4.66	1.33	1.72	1.88	0.53	2.61	3.82	2.38	1.76	1.38	1.00	0.625	0.500	1/8 X 1.00	3/16 x 1.50
NH815	7.00	3.26	3.59	0.51	0.19	4.08	4.06	5.00	1.54	1.88	1.82	0.53	3.14	4.35	1.88	1.76	1.38	1.00	0.625	0.625	3/16 X 1.38	3/16 x 1.50
NH818	7.44	3.44	3.83	0.56	0.19	4.29	4.50	5.44	1.75	2.06	1.82	0.53	3.24	4.45	1.98	1.76	1.38	1.44	1.000	0.625	3/16 X 1.38	1/4 x 3.00
NH821	8.00	3.69	3.57	0.85	0.19	4.65	4.50	6.00	2.06	2.31	1.82	0.53	3.61	4.82	2.12	1.76	1.38	1.94	1.500	0.625	3/16 X 1.38	3/8 x 3.00
NH824	8.88	4.07	4.16	0.56	0.19	4.65	5.25	6.88	2.38	2.69	1.94	0.53	3.77	5.51	2.12	2.38	1.88	1.94	1.500	0.750	3/16 X 1.63	3/8 x 3.00
NH826	9.38	4.32	4.15	0.56	0.19	4.65	5.75	7.38	2.63	2.94	1.94	0.53	4.34	6.07	2.12	2.38	1.88	1.94	1.500	0.750	3/16 X 1.63	3/8 x 3.00
NH830	10.25	4.76	4.67	0.56	0.25	5.16	6.62	8.25	3.00	3.38	2.32	0.53	4.84	6.57	2.38	2.38	2.38	2.51	2.188	0.875	3/16 X 1.63	1/2 x 3.00
NH832	12.06	5.57	5.83	0.57	0.25	6.31	8.00	10.06	3.25	4.19	2.87	0.53	5.02	6.76	2.95	2.38	3.51	2.51	2.188	0.875	3/16 X 1.63	1/2 x 3.00
NH842	14.00	6.38	7.53	0.63	0.38	8.50	9.75	11.50	4.25	4.50	3.26	0.53	6.10	9.57	4.25	3.47	3.69	2.75	2.188	1.250	1/4 X 2.50	1/2 x 3.00
NH852	15.19	6.76	8.81	0.97	0.38	10.50	11.00	12.69	5.25	4.88	3.63	0.53	7.50	10.88	5.25	3.38	4.62	4.26	3.438	1.250	1/4 X 3.00	7/8 x 3.44

**MOTOR MOUNTING DIMENSIONS**

**NEMA DIMENSIONS (Inches)**

Size	LM		L1		LQ		LQ1			RQ		
	48CZ	56C/140TC	180TC/210TC	250TC	48CZ/56C/140TC	180TC	210TC	250TC	48CZ/56C/140TC	180TC	210TC	250TC
NH813	5.63	6.07	N/A	N/A	3.46	N/A	N/A	N/A	3.09	N/A	N/A	N/A
NH815	6.16	6.60	N/A	N/A	3.99	N/A	N/A	N/A	3.62	N/A	N/A	N/A
NH818	6.26	6.70	N/A	N/A	4.09	N/A	N/A	N/A	3.59	N/A	N/A	N/A
NH821	6.63	7.07	N/A	N/A	4.46	N/A	N/A	N/A	4.06	N/A	N/A	N/A
NH824	N/A	7.76	8.76	N/A	4.63	5.06	N/A	N/A	4.09	4.56	N/A	N/A
NH826	N/A	8.32	9.32	N/A	5.19	5.62	N/A	N/A	4.82	5.13	N/A	N/A
NH830	N/A	8.82	9.82	N/A	5.69	6.12	6.56	N/A	5.32	5.63	6.06	N/A
NH832	N/A	9.01	10.01	N/A	5.88	6.31	6.75	N/A	5.51	5.81	6.25	N/A
NH842	N/A	11.81	12.90	13.46	6.45	7.21	7.21	7.77	6.04	6.68	6.68	7.24
NH852	N/A	13.21	14.30	14.86	7.85	8.61	8.61	9.17	7.35	7.98	7.98	8.54

**NEMA DIMENSIONS (Inches)**

Frame	AJ	AK	BD	BE	BE1	Bore Dia.	Keyway	BF
48CZ	3.75	3.00	4.36	0.38	N/A	0.500	1/8 X 1/16	0.28
56C	5.88	4.50	6.50	0.38	N/A	0.625	3/16 X 3/32	0.41
140TC	5.88	4.50	6.50	0.38	N/A	0.875	3/16 X 3/32	0.41
180TC	7.25	8.50	9.00	N/A	0.50	1.125	1/4 X 1/8	0.53
210TC	7.25	8.50	9.00	N/A	0.50	1.375	5/16 X 5/32	0.53
250TC	7.25	8.50	9.00	N/A	0.50	1.625	3/8 X 3/16	0.53

**IEC B5 & B3/B5 METRIC DIMENSIONS (Inches)**

Size	LQ1						RQ					
	D63D	D71D	D80D	D90D	D100LD/D112MD	D132D	D63D	D71D	D80D	D90D	D100LD/D112MD	D132D
NH813	2.62	2.65	2.89	N/A	N/A	N/A	2.45	2.47	2.71	N/A	N/A	N/A
NH815	3.15	3.18	3.42	N/A	N/A	N/A	2.98	3.00	3.24	N/A	N/A	N/A
NH818	3.25	3.28	3.52	N/A	N/A	N/A	2.95	2.97	3.21	N/A	N/A	N/A
NH821	3.62	3.65	3.89	N/A	N/A	N/A	3.43	3.44	3.68	N/A	N/A	N/A
NH824	N/A	3.72	4.34	N/A	N/A	N/A	N/A	3.46	3.71	N/A	N/A	N/A
NH826	N/A	4.28	4.90	4.90	5.30	N/A	N/A	4.09	4.72	4.72	5.07	N/A
NH830	N/A	4.78	5.41	5.41	5.80	N/A	N/A	4.59	5.22	5.22	5.57	N/A
NH832	N/A	4.97	5.59	5.59	5.99	N/A	N/A	4.78	5.41	5.41	5.76	N/A
NH842	N/A	N/A	N/A	6.38	6.39	7.17	N/A	N/A	N/A	6.16	6.14	6.93
NH852	N/A	N/A	N/A	7.78	7.78	8.57	N/A	N/A	N/A	7.46	7.45	8.24

**IEC B5 & B3/B5 METRIC DIMENSIONS (MM)**

Frame	AJ	AK	BD	BE	Bore Dia.	Keyway	BF TAP	OD
D63D	115	95	117	10	11	4 X 2	M8 X 1.25	131
D71D	130	110	132	11	14	5 X 2.5	M8 X 1.25	146
D80D	165	130	165	15	19	6 X 3	M10 X 1.50	184
D90D	165	130	165	15	24	8 X 3.5	M10 X 1.50	184
D100LD/D112MD	215	180	216	18	28	8 X 3.5	M12 X 1.75	237
D132D	265	230	267	18	38	10 X 4	M12 X 1.75	290

\* Max bore dimensions shown. For additional bores available, refer to page 128.

◆ Keyway width by depth

■ 48CZ not available

◇ Metric IEC B5 input flange options are available only on quill input styles.

\* Style H and HM only.

Note: Torque arm bracket available separately. Refer to page 289 for kits. If a special bracket is required, refer to Style BMQ dimensions for mounting pad dimensions on top/bottom of reducer.



For safety, purchaser or user should provide protective guards over shaft extensions and any couplings, sheaves and belts, sprockets and chains, etc., mounted thereon.

**GROVE GEAR OE SERIES INTERCHANGE GUIDE**

Grove Gear OE Series	Grove Gear IRONMAN NH Series
YF	HMQ
YFC	HM
Y	H

Refer to page 8 for complete interchange guide for original Grove Gear OE Series products.

All dimensions shown are for reference only. Contact Factory for certified dimensions.