

Chains & sprockets	Wear strips	Side guide brackets & accessories	Levelers
Modular belts & sprockets	Chain & belt return systems	Frame & structure supports	Bearing supports
Curves & tracks	Side guide solutions	Miscellaneous products	Related information

# 11440a

## 1873 TAB GS - NGE material

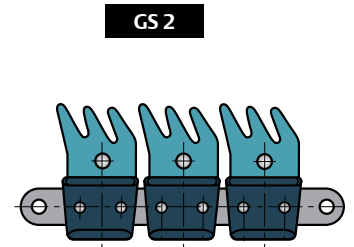
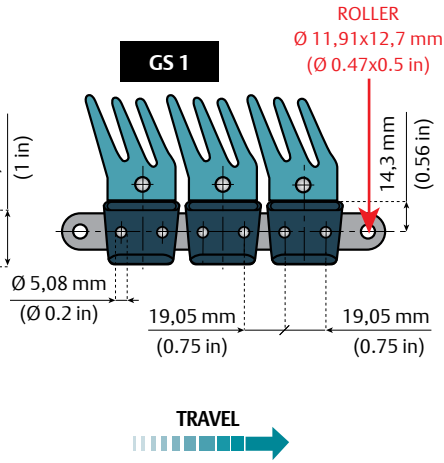
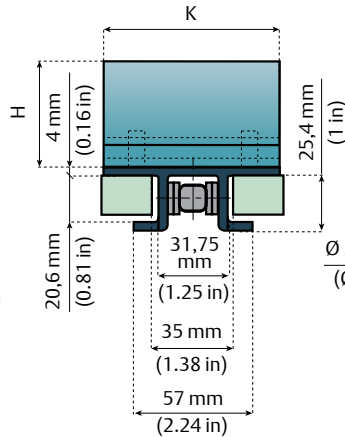
www.SystemPlastSmartGuide.com

Sideflexing plate top chains with snap on gripper

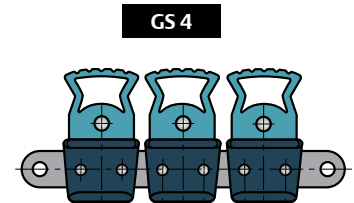


Click here for related information.

continue ▶



TRAVEL →



TRAVEL →

- NGEvo**  
 Longest life  
 Lowest friction  
 Good chemical resistance  
 High abrasion resistance  
 Approved for direct food contact  
 Less dust than with acetal chains  
 More.....

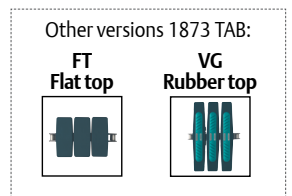
**Note:**  
 ANSI 60 roller chain

# 50160a

Item description			K mm		H		Material			Weight	
Chains	Kit flight rubber + pin	Only rubber	mm	in	mm	in	Roller chain	Plate	Gripper	Kg/m	lbs/ft.
NGE1873TAB-K325GS1	GRPK-NGE-K325-GS1-NBR	GRP-K325-GS1-NBR	82	3.23	41	1.61	C45	NGE Grey Blue	THERMOPLASTIC	4,7	3.1
NGE1873SS-TAB-K325GS1							Austenitic				
NGE1873TAB-K450GS1							C45				
NGE1873SS-TAB-K450GS1	GRPK-NGE-K450-GS1-NBR	GRP-K450-GS1-NBR	114	4.5			Austenitic			7,1	4.7
NGE1873TAB-K325GS2	GRPK-NGE-K325-GS2-NBR	GRP-K325-GS2-NBR	82	3.23	35	1.38	C45	NGE Grey Blue	THERMOPLASTIC	4,1	2.7
NGE1873SS-TAB-K325GS2							Austenitic				
NGE1873TAB-K450GS2							C45				
NGE1873SS-TAB-K450GS2	GRPK-NGE-K450-GS2-NBR	GRP-K450-GS2-NBR	114	4.5			Austenitic			6,4	4.3
NGE1873TAB-K325GS4	GRPK-NGE-K325-GS4-NBR	GRP-K325-GS4-NBR	82	3.23	33	1.3	C45	NGE Grey Blue	THERMOPLASTIC	4,2	2.8
NGE1873SS-TAB-K325GS4							Austenitic				
NGE1873TAB-K450GS4							C45				
NGE1873SS-TAB-K450GS4	GRPK-NGE-K450-GS4-NBR	GRP-K450-GS4-NBR	114	4.5			Austenitic			6,6	4.4

Standard length: 80 pitches (10 ft. - 3,05 m)

Breaking load according to standard ISO 4348 - DIN 8153



continue ▶