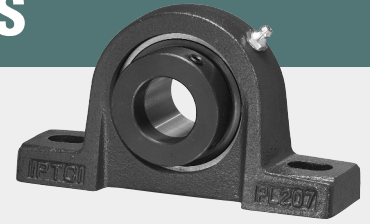
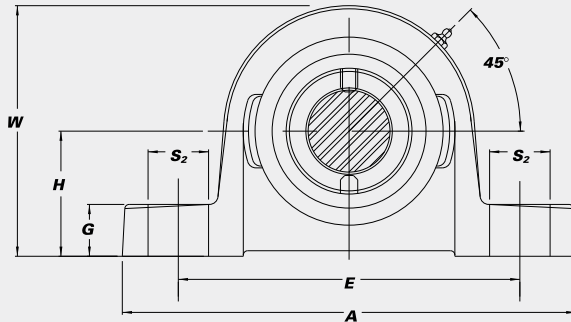
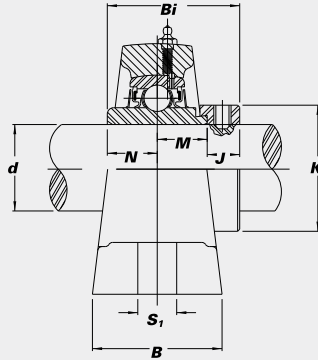


NAPL Pillow Blocks



Standard duty. Low shaft height with eccentric locking collar.

- Cast iron housing
- Wide inner race bearing
- B-type or L3-type seals



STANDARD PRODUCTS

Unit No.	Shaft Dia.		Dimensions (in./mm)													Bolt Used	Bearing No.	Housing No.	Housing Weight (lbs.)	
	d (in.)	d (mm)	H	A	E	B	S ₂	S ₁	G	W	Bi	N	M	J	K					
NAPL 201		12																NAW 201		
201-8	1/2																	201-8		
202		15	1 ¹ / ₁₆	4 ⁷ / ₈	3 ⁵ / ₈	1 ⁷ / ₁₆	3/4	7/16	17/32	2 ¹⁵ / ₆₄	1.4685	0.5472	0.5472	0.3740	1.1260	3/8	202	PL 203	1.5	
202-10	5/8		27	124	92	37	19	11	13	57	37.3	13.9	13.9	9.5	28.6		202-10			
203		17															203			
NAPL 204-12	3/4																	NA 204-12	PL 204	1.7
204		20	1 ¹ / ₄	5	3 ³ / ₄	1 ¹ / ₂	9/16	7/16	9/16	2 ¹ / ₂	1.7126	0.6693	0.6693	0.3740	1.3110	3/8	204			
NAPL 205-14	7/8																	NA 205-14		
205-15	1 ⁵ / ₁₆																	205-15	PL 205	2.0
205		25	1 ⁵ / ₁₆	5 ¹ / ₂	4 ¹ / ₈	1 ¹ / ₂	1 ¹ / ₁₆	7/16	5/8	2 ⁴⁵ / ₆₄	1.7441	0.6850	0.6850	0.3740	1.5000	3/8	205			
205-16	1		33.3	140	105	38	18	11	16	69	44.3	17.4	17.4	9.5	38.1		205-16			
NAPL 206-17	1 ¹ / ₁₆																	NA 206-17		
206-18	1 ¹ / ₈																	206-18	PL 206	3.0
206		30	1 ⁹ / ₁₆	6 ¹ / ₃₂	4 ³ / ₄	1 ³ / ₄	1 ³ / ₁₆	9/16	1 ¹ / ₁₆	3 ⁵ / ₃₂	1.9016	0.7165	0.7165	0.4685	1.7520	1/2	206			
206-19	1 ³ / ₁₆		39.7	161	121	45	21	14	18	80	48.3	18.2	18.2	11.9	44.5		206-19			
206-20	1 ¹ / ₄ S																	206-20		
NAPL 207-20	1 ¹ / ₄																	NA 207-20		
207-21	1 ⁵ / ₁₆																	207-21	PL 207	4.1
207-22	1 ³ / ₈																	207-22		
207		35	1 ¹⁹ / ₁₆	6 ¹⁹ / ₃₂	5	1 ⁷ / ₈	7/8	9/16	2 ⁵ / ₃₂	3 ² / ₃₂	2.0118	0.7402	0.7402	0.5315	2.1890	1/2	207			
207-23	1 ⁷ / ₁₆																	207-23		
NAPL 208-24	1 ¹ / ₂																	NA 208-24		
208-25	1 ⁹ / ₁₆																	208-25	P 208	5.3
208		40	1 ¹⁵ / ₁₆	7 ¹ / ₈	5 ¹ / ₁₆	2	7/8	9/16	1 ³ / ₁₆	4	2.2165	0.8425	0.8425	0.5315	2.3740	1/2	208			
NAPL 209-26	1 ⁵ / ₈																	NA 209-26		
209-27	1 ¹ / ₄																	209-27	PL 209	6.1
209-28	1 ³ / ₄																	209-28		
209		45	2 ¹ / ₁₆	7 ¹ / ₂	5 ³ / ₄	2 ¹ / ₈	1 ³ / ₁₆	9/16	2 ⁹ / ₃₂	4 ⁷ / ₃₂	2.2165	0.8425	0.8425	0.5315	2.5000	1/2	209			
NAPL 210-30	1 ⁷ / ₈																	NA 210-30		
210-31	1 ¹⁵ / ₁₆																	210-31	PL 210	7.0
210		50	2 ³ / ₁₆	8 ¹ / ₃₂	6 ¹ / ₄	2 ¹ / ₄	1 ⁵ / ₁₆	1 ¹ / ₁₆	2 ⁹ / ₃₂	4 ²⁹ / ₆₄	2.4685	0.9685	0.9685	0.5315	2.7520	5/8	210			
210-32	2S		55.6	204	159	57	24	18	23	113	62.7	24.6	24.6	13.5	69.9		210-32			
NAPL 211-32	2																	NA 211-32		
211-34	2 ¹ / ₈																	211-34	PL 211	9.3
211		55	2 ¹ / ₁₆	8 ⁵ / ₈	7	2 ³ / ₈	1 ⁵ / ₁₆	1 ¹ / ₁₆	1	4 ⁶¹ / ₆₄	2.8110	1.0906	1.0906	0.6299	3.0000	5/8	211			
211-35	2 ⁹ / ₁₆		61.9	219	178	60	24	18	25.4	126	71.4	27.7	27.7	16.0	76.2		211-35			
NAPL 212-36	2 ¹ / ₄																	NA 212-36		
212		60	2 ¹ / ₁₆	9 ¹ / ₁₆	7 ³ / ₈	2 ¹ / ₂	1	1 ¹ / ₁₆	1 ¹ / ₃₂	5 ¹³ / ₃₂	3.0630	1.2165	1.2165	0.6299	3.3150	5/8	212	PL 212	11.6	
212-38	2 ³ / ₈		68.3	240	187	63	25.4	18	26.5	137	77.8	30.9	30.9	16.0	84.2		212-38			
212-39	2 ¹ / ₁₆																	212-39		
NAPL 213-40	2 ¹ / ₂																	NA 213-40		
213		65	2 ¹ / ₁₆	9 ³ / ₄	7 ⁵ / ₈	2 ³ / ₄	1 ¹ / ₈	1 ¹ / ₁₆	1 ¹ / ₈	5 ⁷ / ₁₆	3.3740	1.3425	1.3425	0.6890	3.3858	5/8	213	PL 213	13.8	
NAPL 215-47	2 ¹⁵ / ₁₆																	NA 215-47		
215		75	3 ¹ / ₄	10 ¹³ / ₁₆	8 ¹ / ₂	2 ¹⁵ / ₁₆	1 ¹ / ₄	1	1 ¹ / ₈	6 ³⁹ / ₆₄	3.6260	1.4685	1.4685	0.6890	4.0157	7/8	215	P 215	18.3	
215-48	3		82.6	275	217	75	31	25.4	29	166	92.1	37.3	37.3	17.5	102.0		215-48			

Interchange Page 47