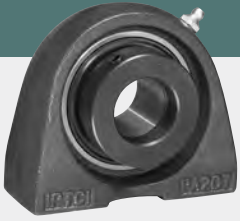


# NAPA Tapped Base Pillow Blocks



## Standard duty with eccentric locking collar.

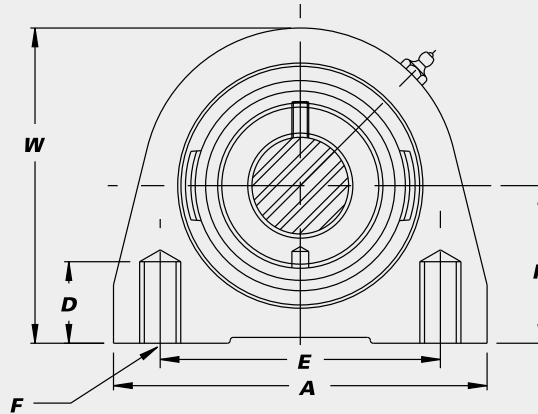
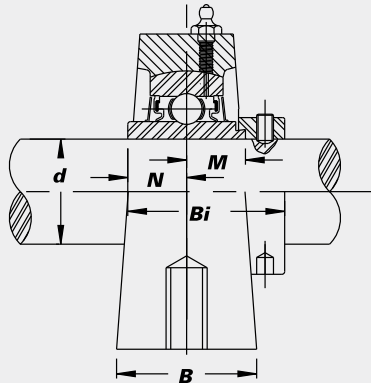
- Cast iron housing
- Wide inner race bearing
- B-type seals
- L3-type seals available in some sizes



B-type Seal



L3-type Seal



STANDARD PRODUCTS

Unit No.	Shaft Dia.		Dimensions (in.) (mm)									Bearing No.	Housing No.	Weight (lbs.)	
	d (in.)	d (mm)	H	A	E	B	W	F-Tapped Holes	D-Min Tap Depth	M	N				Bi
NAPA 201-8	1/2												NA 201-8		
202-10	5/8		1 5/16	2 7/8	2	1 1/2	2 9/16	3/8"-16	1/2	0.6693	0.6693	1.7126	202-10		
204-12	3/4		33.3	73	50.8	38	65	UNC	13	17.0	17.0	43.5	204-12	PA 204	1.6
204		20											204		
NAPA 205-14	7/8												NA 205-14		
205-15	1 5/16		1 7/16	3	2	1 1/2	2 13/16	3/8"-16	1/2	0.6850	0.6850	1.7441	205-15	PA 205	1.7
205		25	36.5	76	50.8	38	71	UNC	13	17.4	17.4	44.3	205		
205-16	1												205-16		
NAPA 206-17	1 1/16												NA 206-17		
206-18	1 1/8		1 11/16	4	3	1 1/2	3 3/8	7/16"-14	5/8	0.7165	0.7165	1.9016	206-18	PA 206	2.8
206		30	42.9	102	76.2	38	86	UNC	16	18.2	18.2	48.3	206		
206-19	1 3/16												206-19		
206-20	1 1/4												206-20		
NAPA 207-20	1 1/4												NA 207-20		
207-21	1 5/16		1 7/8	4 1/4	3 1/4	1 7/8	3 3/4	1/2"-13	3/4	0.7402	0.7402	2.0118	207-21	PA 207	3.9
207-22	1 3/8		47.6	108	82.6	48	95	UNC	19	18.8	18.8	51.1	207-22		
207		35											207		
207-23	1 7/16												207-23		
NAPA 208-24	1 1/2												NA 208-24		
208-25	1 9/16		1 15/16	4 5/8	3 1/2	1 7/8	3 15/16	1/2"-13	3/4	0.8425	0.8425	2.2165	208-25	PA 208	4.4
208		40	49.2	117	88.9	48	100	UNC	19	21.4	21.4	56.3	208		
NAPA 209-26	1 5/8												NA 209-26		
209-27	1 11/16		2 1/8	5	3 3/4	2	4 1/4	1/2"-13	3/4	0.8425	0.8425	2.2165	209-27	PA 209	5.4
209-28	1 3/4		54.0	127	95.3	51	108	UNC	19	21.4	21.4	56.3	209-28		
209		45											209		
NAPA 210-30	1 7/8												NA 210-30		
210-31	1 15/16		2 1/4	5 1/2	4	2	4 5/8	5/8"-11	7/8	0.9685	0.9685	2.4685	210-31	PA 210	6.3
210		50	57.2	140	101.6	51	117	UNC	22	24.6	24.6	62.7	210		
210-32	2S												210-32		

Interchange Page 47