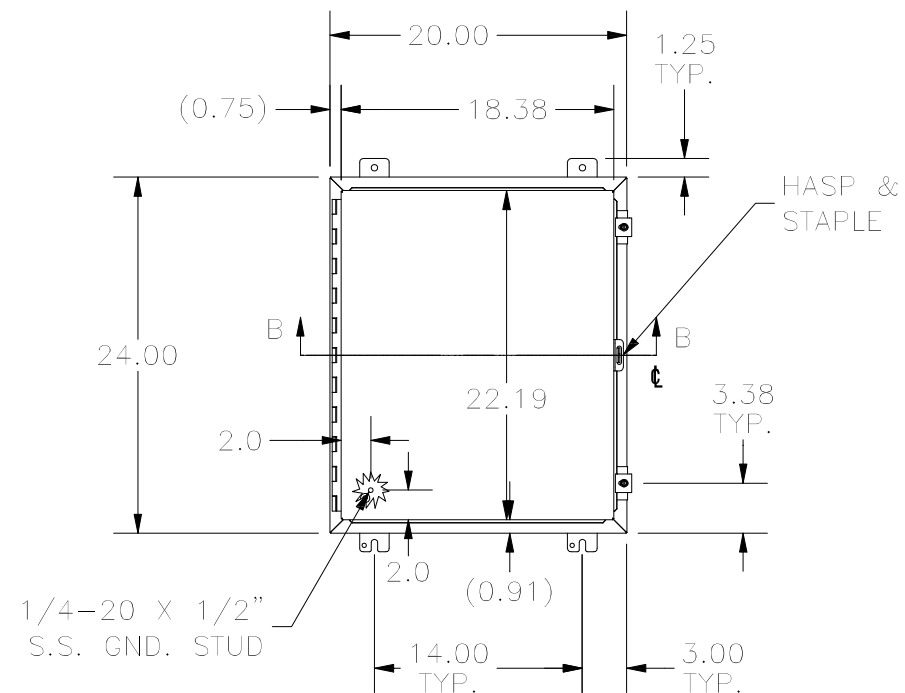
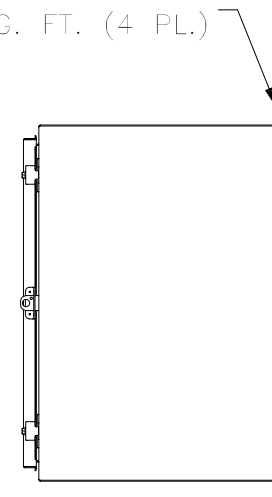


HOLD DOWN CLAMP

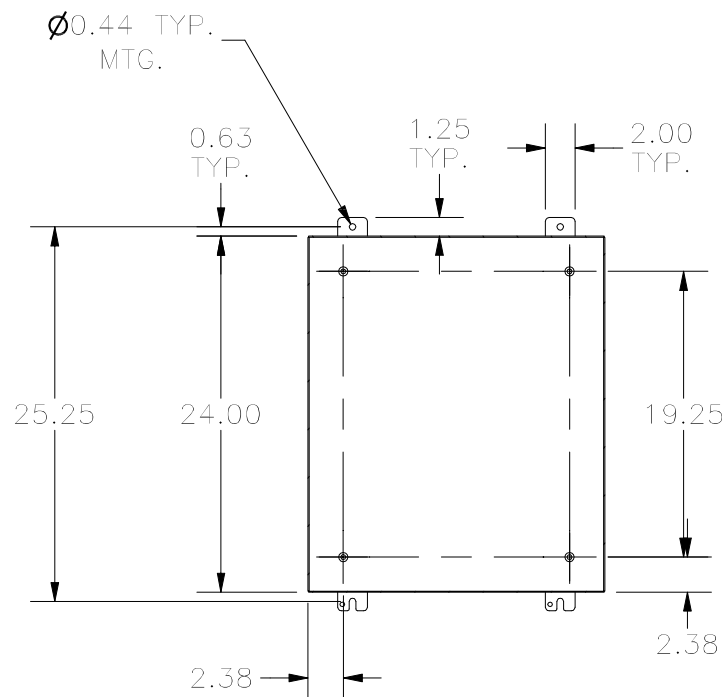
TOP VIEW



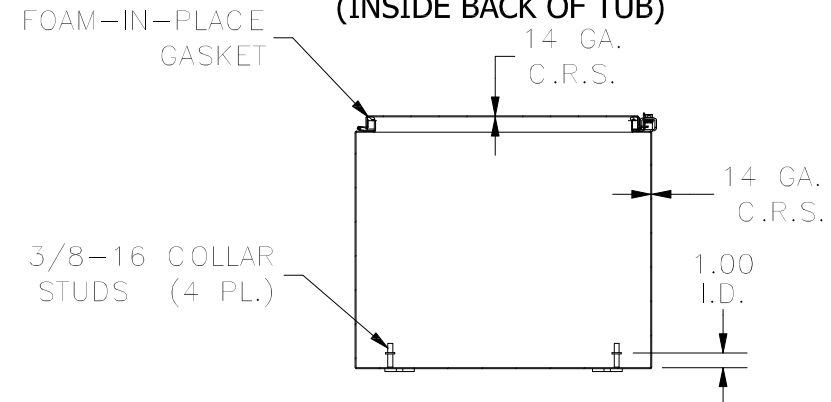
7 GA. C.R.S. MTG. FT. (4 PL.)



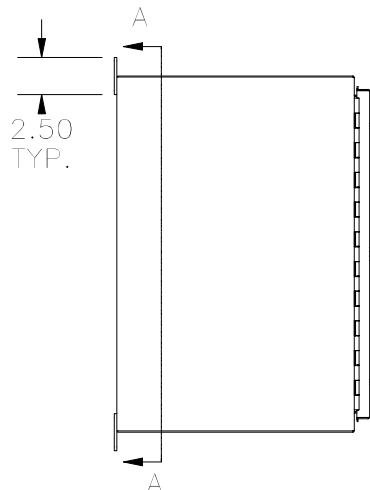
RIGHT SIDE



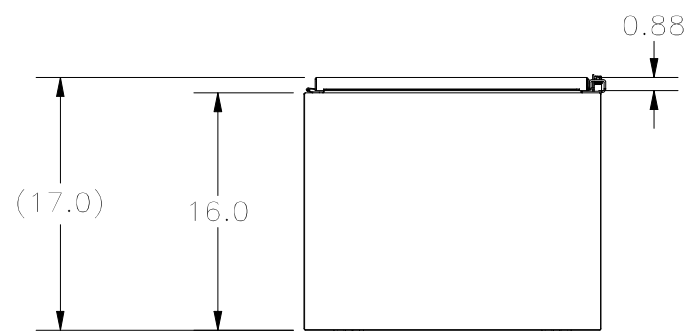
SECTION A-A (INSIDE BACK OF TUB)



SECTION B-B (INSIDE TOP OF ENCLOSURE)



LEFT SIDE



BOTTOM VIEW

FRONT VIEW

PART#: N12242016
 (DATA SUBJECT TO CHANGE WITHOUT NOTICE)

THIS DRAWING IS PROPERTY OF HUBBELL INC. WIEGMANN
 ALL INFORMATION IS PROPRIETARY AND NOT TO BE DUPLICATED