

BALDOR® • RELIANCE 

Product Information Packet

M1718

.5/.22HP, 1745/1165RPM, 3PH, 60HZ, 56, 3515M

| Part Detail | | | | | | | |
|-------------|--------|-------------|------------|-------------|--------|---------------|------------|
| Revision: | S | Status: | PRD/A | Change #: | | Proprietary: | No |
| Type: | AC | Elec. Spec: | 35WGP583 | CD Diagram: | CD0013 | Mfg Plant: | |
| Mech. Spec: | 35A011 | Layout: | 35LYA011 | Poles: | 04/06 | Created Date: | 05-01-2007 |
| Base: | RG | Eff. Date: | 03-06-2018 | Leads: | 6#18 | | Y |

| Specs | | | |
|---------------------------------|-------------------------|--------------------------------|--------------------|
| Catalog Number: | M1718 | Insulation Class: | F |
| Enclosure: | TEFC | Inverter Code: | Not Inverter |
| Frame: | 56 | KVA Code: | M |
| Frame Material: | Steel | Lifting Lugs: | No Lifting Lugs |
| Output @ Frequency: | .500 HP @ 60 HZ | Locked Bearing Indicator: | No Locked Bearing |
| | .220 HP @ 60 HZ | Motor Lead Quantity/Wire Size: | 6 @ 18 AWG |
| Synchronous Speed @ Frequency: | 1200 RPM @ 60 HZ | Motor Lead Exit: | Ko Box |
| Voltage @ Frequency: | 460.0 V @ 60 HZ | Motor Lead Termination: | Flying Leads |
| XP Class and Group: | None | Motor Type: | 3515M |
| XP Division: | Not Applicable | Mounting Arrangement: | F1 |
| Agency Approvals: | UR | Product Family: | General Purpose |
| | CSA | Pulley End Bearing Type: | Ball |
| Auxillary Box: | No Auxillary Box | Pulley Face Code: | Standard |
| Auxillary Box Lead Termination: | None | Pulley Shaft Indicator: | Standard |
| Base Indicator: | Rigid | Rodent Screen: | None |
| Bearing Grease Type: | Polyrex EM (-20F +300F) | Shaft Extension Location: | Pulley End |
| Blower: | None | Shaft Ground Indicator: | No Shaft Grounding |
| Current @ Voltage: | 1.100 A @ 460.0 V | Shaft Rotation: | Reversible |

| | | | |
|---------------------------------------|---------------------------|------------------------------------|---------------------|
| Design Code: | - | Shaft Slinger Indicator: | No Slinger |
| Drip Cover: | No Drip Cover | Speed Code: | 2S-2W-VT |
| Duty Rating: | CONT | Motor Standards: | NEMA |
| Electrically Isolated Bearing: | Not Electrically Isolated | Starting Method: | Direct on line |
| Feedback Device: | NO FEEDBACK | Thermal Device - Bearing: | NONE (OLD) |
| Front Face Code: | Standard | Thermal Device - Winding: | None |
| Front Shaft Indicator: | None | Vibration Sensor Indicator: | No Vibration Sensor |
| Heater Indicator: | No Heater | Winding Thermal 1: | None |
| | | Winding Thermal 2: | None |

| | | | | | | | | | | |
|--------------------------|--------------|--|-------------|---|------------|------|--|--------------|-----------------------|---|
| Nameplate NP1256L | | | | | | | | | | |
| CAT.NO. | M1718 | | | | | | | | | |
| SPEC. | 35A011P583 | | | | | | | | | |
| HP | .5/.22 | | | | | | | | | |
| VOLTS | 460 | | | | | | | | | |
| AMP | 1.1/.69 | | | | | | | | | |
| RPM | 1750/1165 | | | | | | | | | |
| FRAME | 56 | | | | HZ | 60 | | | PH | 3 |
| SER.F. | 1.15 | | CODE | M | DES | - | | CLASS | F | |
| NEMA-NOM-EFF | | | PF | | | | | | | |
| RATING | 40C AMB-CONT | | | | | | | | | |
| CC | | | | | | | | | USABLE AT 208V | |
| DE | 6205 | | | | ODE | 6203 | | | | |
| ENCL | TEFC | | SN | | | | | | | |
| | SFA 1.18/.72 | | | | | | | | | |

| Parts List | | |
|---------------|--|----------|
| Part Number | Description | Quantity |
| SA156934 | SA 35A011P583 | 1.000 EA |
| RA145636 | RA 35A011P583 | 1.000 EA |
| 35FN3002A05SP | EXFN, PLASTIC, 6.376 OD, .638 ID | 1.000 EA |
| NS2512A01 | INSULATOR, CONDUIT BOX X | 1.000 EA |
| 35CB3007 | 35 CB CASTING W/.88 DIA. LEAD HOLE | 1.000 EA |
| 36GS1000SP | GASKET-CONDUIT BOX, .06 THICK #SV-330 LE | 1.000 EA |
| 51XB1016A07 | 10-16 X 7/16 HXWSSLD SERTYB | 2.000 EA |
| 11XW1032G06 | 10-32 X .38, TAPTITE II, HEX WSHR SLTD U | 1.000 EA |
| 35EP3122K00 | MASTER ODE,203 BRG,.683SH,#26 DRN,FH MTG | 1.000 EA |
| HW5100A03 | WAVY WASHER (W1543-017) | 1.000 EA |
| 35EP3123A00 | MASTER DE,205 BRG,.998SH,#26 DRN | 1.000 EA |
| XY1032A02 | 10-32 HEX NUT DIRECTIONAL SERRATION | 4.000 EA |
| 51XB1214A16 | 12-14X1.00 HXWSSLD SERTYB | 1.000 EA |
| 35FH4005A32SP | IEC FH NO GRSR W/3 HOLES - PRIMED | 1.000 EA |
| 51XW1032A06 | 10-32 X .38, TAPTITE II, HEX WSHR SLTD S | 3.000 EA |
| 35CB4521GX | CONDUIT BOX LID KIT **ORDER INDIV PARTS | 1.000 EA |
| 51XW0832A07 | 8-32 X .44, TAPTITE II, HEX WSHR SLTD SE | 4.000 EA |
| HW2501D13 | KEY, 3/16 SQ X 1.375 | 1.000 EA |
| HA7000A04 | KEY RETAINER 0.625 DIA SHAFTS | 1.000 EA |
| 85XU0407S04 | 4X1/4 U DRIVE PIN STAINLESS | 2.000 EA |
| MJ1000A02 | GREASE, POLYREX EM EXXON (USe 4824-15A) | 0.050 LB |
| MG1000G27 | MED CHARCOAL METALLIC GREY 400-0096 | 0.017 GA |
| HA3100A15 | THRUBOLT 10-32 X 8.375 | 4.000 EA |
| LB1119N | WARNING LABEL | 1.000 EA |

| Parts List (continued) | | |
|-------------------------------|---|-----------------|
| Part Number | Description | Quantity |
| LC0013 | CONNECTION LABEL | 1.000 EA |
| NP1256L | ALUM UL CSA CC INDUSTRIAL MOTOR A60 | 1.000 EA |
| 35PA1066 | PKG GRP, PRINT PK1008A06 | 1.000 EA |
| MN416A01 | TAG-INSTAL-MAINT no wire (1200/bx) 5/18 | 1.000 EA |
| PE-0000001 | ZRTG PE ASSEMBLY | 1.000 EA |
| FE-0000001 | ZRTG FE ASSEMBLY | 1.000 EA |

| Accessories | | |
|--------------------|--------------------|-------------------|
| Part Number | Description | Multiplier |
| 35-8762 | C FACE KIT | A8 |
| 35EP1506A01SP | D-FLANGE KIT | A8 |

AC Induction Motor Performance Data

Record # 27977 - Typical performance - not guaranteed values

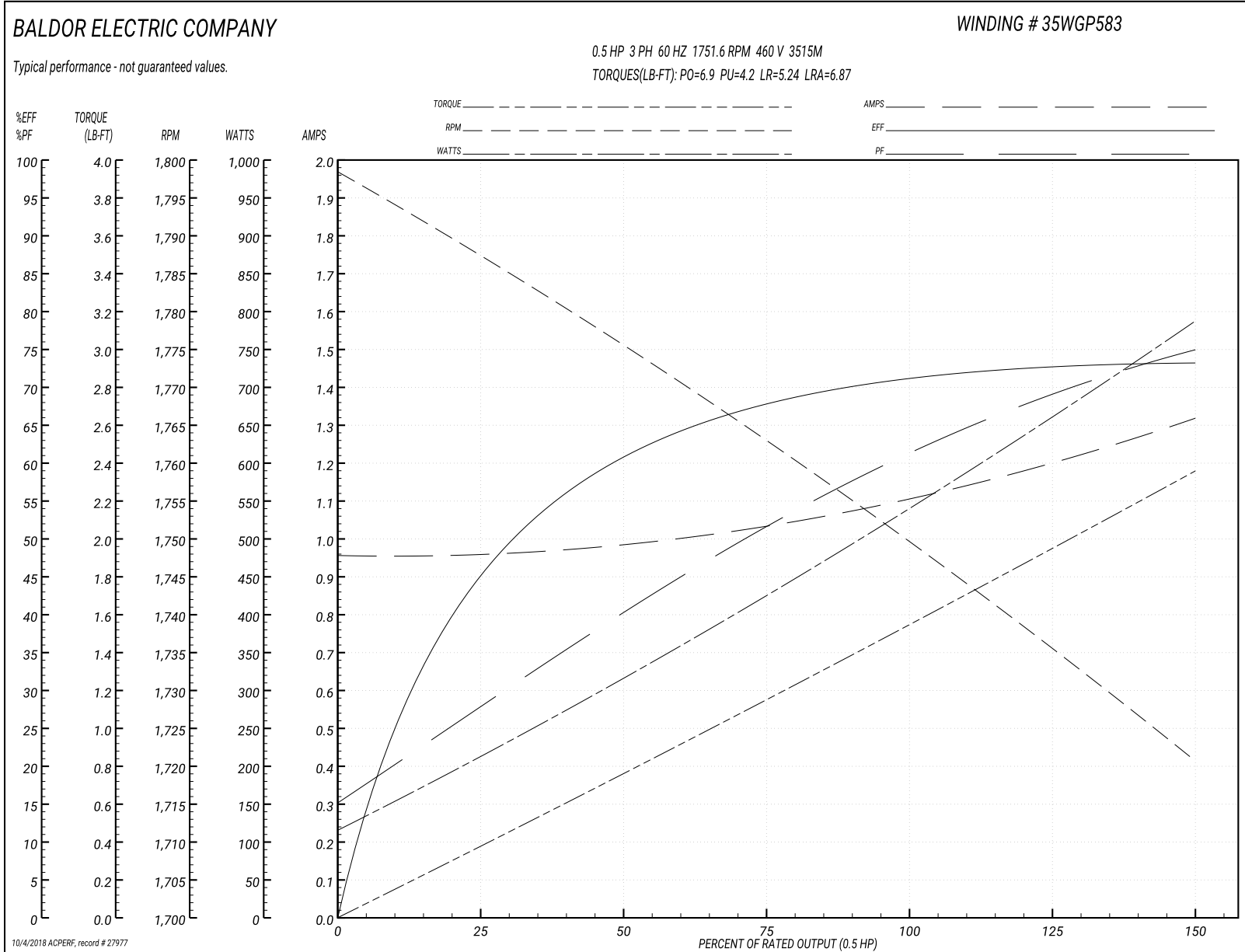
| | | |
|-------------------------------|--------------------|------------------------|
| Winding: 35WGP583-R001 | Type: 3515M | Enclosure: TEFC |
|-------------------------------|--------------------|------------------------|

| Nameplate Data | | | | 460 V, 60 Hz: High Speed Connection | |
|-----------------------|--------------|--------------|---|--|----------------|
| Rated Output (HP) | .5/.22 | | | Full Load Torque | 1.5 LB-FT |
| Volts | 460 | | | Start Configuration | direct on line |
| Full Load Amps | 1.10/.69 | | | Breakdown Torque | 6.9 LB-FT |
| R.P.M. | 1750/1165 | | | Pull-up Torque | 4.2 LB-FT |
| Hz | 60 | Phase | 3 | Locked-rotor Torque | 5.24 LB-FT |
| NEMA Design Code | - | KVA Code | M | Starting Current | 6.87 A |
| Service Factor (S.F.) | 1.25 | | | No-load Current | 0.958 A |
| NEMA Nom. Eff. | 0 | Power Factor | 0 | Line-line Res. @ 25°C | 39.9 Ω |
| Rating - Duty | 40C AMB-CONT | | | Temp. Rise @ Rated Load | 46°C |
| S.F. Amps | | | | Temp. Rise @ S.F. Load | 50°C |

Load Characteristics 460 V, 60 Hz, 0.5 HP

| % of Rated Load | 25 | 50 | 75 | 100 | 125 | 150 | S.F. |
|-----------------|--------|--------|--------|--------|--------|--------|------|
| Power Factor | 28 | 40 | 51 | 60 | 68 | 75 | 65 |
| Efficiency | 45.5 | 61.1 | 68.1 | 71.6 | 73.3 | 73.6 | 72.6 |
| Speed | 1787.2 | 1775.6 | 1764.6 | 1751.6 | 1737.9 | 1720.4 | 1743 |
| Line amperes | 0.956 | 0.981 | 1.03 | 1.1 | 1.18 | 1.32 | 1.15 |

Performance Graph at 460V, 60Hz, 0.5HP Typical performance - Not guaranteed values



AC Induction Motor Performance Data

Record # 27978 - Typical performance - not guaranteed values

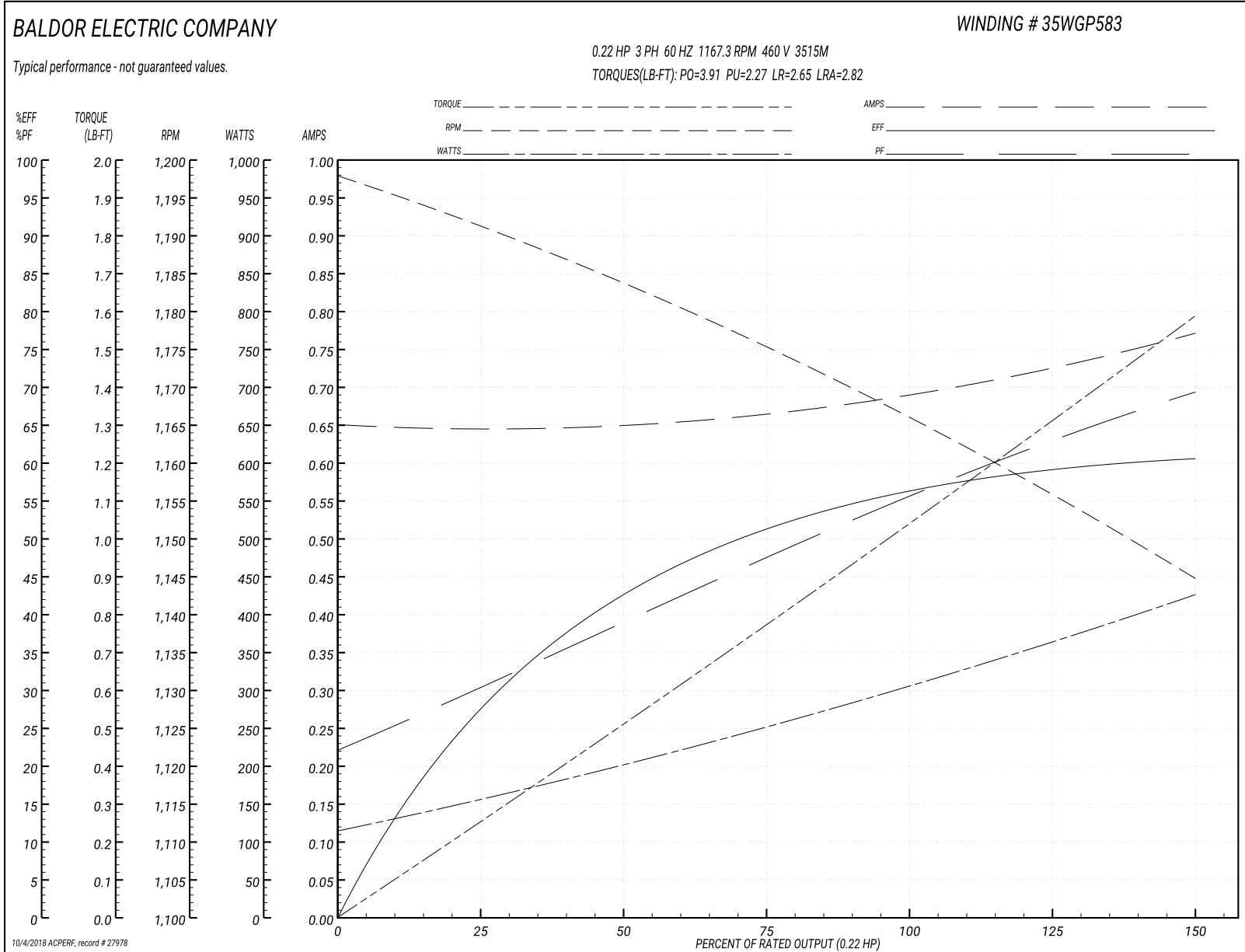
| | | |
|-------------------------------|--------------------|------------------------|
| Winding: 35WGP583-R001 | Type: 3515M | Enclosure: TEFC |
|-------------------------------|--------------------|------------------------|

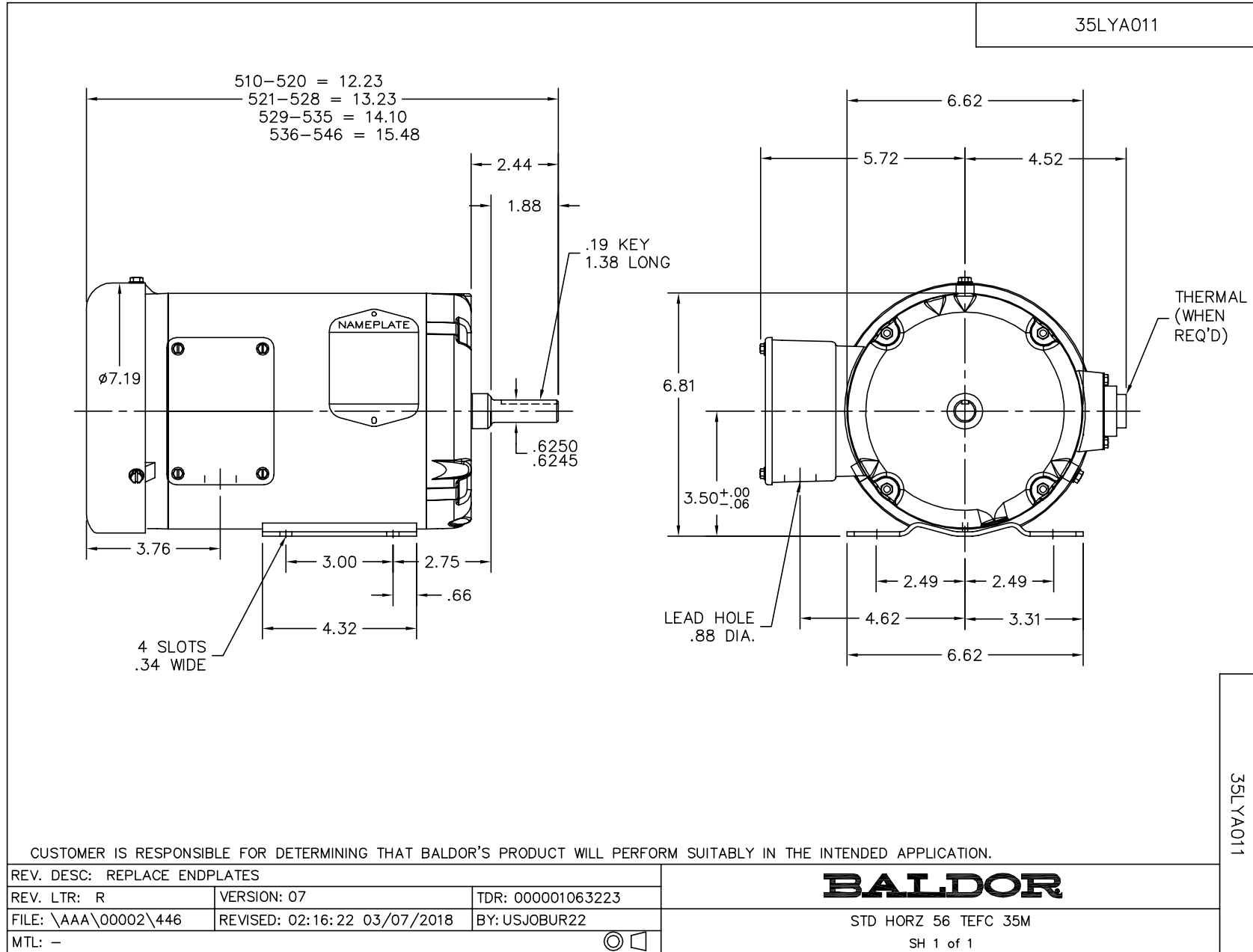
| Nameplate Data | | | | 460 V, 60 Hz: Low Speed Connection | |
|-----------------------|--------------|--------------|---|---------------------------------------|----------------|
| Rated Output (HP) | .5/.22 | | | Full Load Torque | 1.02 LB-FT |
| Volts | 460 | | | Start Configuration | direct on line |
| Full Load Amps | 1.10/.69 | | | Breakdown Torque | 3.91 LB-FT |
| R.P.M. | 1750/1165 | | | Pull-up Torque | 2.27 LB-FT |
| Hz | 60 | Phase | 3 | Locked-rotor Torque | 2.65 LB-FT |
| NEMA Design Code | - | KVA Code | M | Starting Current | 2.82 A |
| Service Factor (S.F.) | 1.25 | | | No-load Current | 0.65 A |
| NEMA Nom. Eff. | 0 | Power Factor | 0 | Line-line Res. @ 25°C | 121.9 Ω |
| Rating - Duty | 40C AMB-CONT | | | Temp. Rise @ Rated Load | 46°C |
| S.F. Amps | | | | Temp. Rise @ S.F. Load | 49°C |

Load Characteristics 460 V, 60 Hz, 0.22 HP

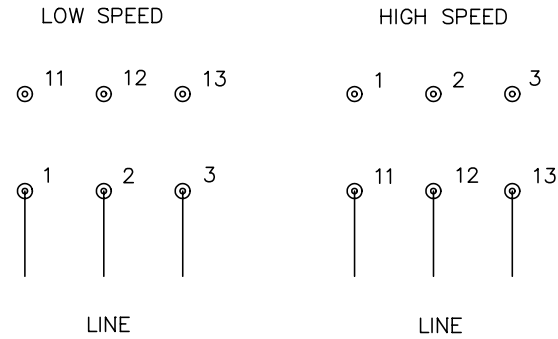
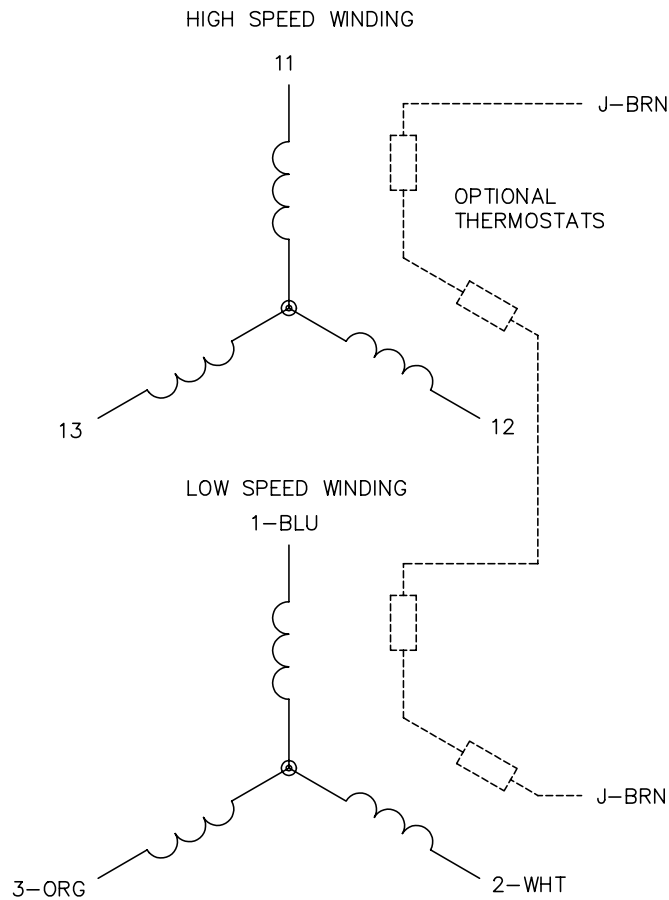
| % of Rated Load | 25 | 50 | 75 | 100 | 125 | 150 | S.F. |
|-----------------|--------|------|-------|--------|--------|--------|-------|
| Power Factor | 31 | 39 | 47 | 55 | 62 | 69 | 59 |
| Efficiency | 27.7 | 42.5 | 51.1 | 56.3 | 59 | 60.5 | 57.9 |
| Speed | 1189.3 | 1184 | 1176 | 1167.3 | 1158.4 | 1144.2 | 1162 |
| Line amperes | 0.646 | 0.65 | 0.664 | 0.686 | 0.718 | 0.772 | 0.705 |

Performance Graph at 460V, 60Hz, 0.22HP Typical performance - Not guaranteed values





CD0013



NOTES:

1. INTERCHANGE ANY TWO LINE LEADS TO REVERSE ROTATION.
2. OPTIONAL THERMOSTATS ARE PROVIDED WHEN SPECIFIED.
3. ACTUAL NUMBER OF INTERNAL PARALLEL CIRCUITS MAY VARY.
4. LEAD COLORS ARE OPTIONAL. LEADS MUST ALWAYS BE NUMBERED AS SHOWN.

| | | | |
|---|---------|------------------------|--------------|
| REV. DESC: REVISE TO SHOW OPTIONAL COLORS | | | |
| REV. LTR: D | BY: JLP | REVISED: 01/22/99 8:50 | TDR: 0171435 |
| Ω10003 | | FILE: AAA00005143 | MDL: - |
| | | MTL: - | |

BALDOR ELECTRIC Co.

3PH, SV, 6 LEADS, 2-SPEED 2-WINDING

CD0013