

**BALDOR® • RELIANCE** 

**Product Information Packet**

**M1210T**

**10/2.5HP, 1725/850RPM, 3PH, 60HZ, 215T, 3744M**

Part Detail							
Revision:	Y	Status:	PRD/A	Change #:		Proprietary:	No
Type:	AC	Elec. Spec:	37WGY058	CD Diagram:	CD0032	Mfg Plant:	
Mech. Spec:	37B001	Layout:	37LYB001	Poles:	04/08	Created Date:	
Base:	RG	Eff. Date:	02-27-2017	Leads:	6#14		

Specs			
Catalog Number:	M1210T	Insulation Class:	F
Enclosure:	OPEN	Inverter Code:	Not Inverter
Frame:	215T	KVA Code:	J
Frame Material:	Steel	Lifting Lugs:	Standard Lifting Lugs
Output @ Frequency:	2.500 HP @ 60 HZ	Locked Bearing Indicator:	No Locked Bearing
	10.000 HP @ 60 HZ	Motor Lead Quantity/Wire Size:	6 @ 14 AWG
Synchronous Speed @ Frequency:	1800 RPM @ 60 HZ	Motor Lead Exit:	Ko Box
Voltage @ Frequency:	460.0 V @ 60 HZ	Motor Lead Termination:	Flying Leads
XP Class and Group:	None	Motor Type:	3744M
XP Division:	Not Applicable	Mounting Arrangement:	F1
Agency Approvals:	UR	Product Family:	General Purpose
	CSA	Pulley End Bearing Type:	Ball
Auxillary Box:	No Auxillary Box	Pulley Face Code:	Standard
Auxillary Box Lead Termination:	None	Pulley Shaft Indicator:	Standard
Base Indicator:	Rigid	Rodent Screen:	None
Bearing Grease Type:	Polyrex EM (-20F +300F)	Shaft Extension Location:	Pulley End
Blower:	None	Shaft Ground Indicator:	No Shaft Grounding
Current @ Voltage:	13.000 A @ 460.0 V	Shaft Rotation:	Reversible

<b>Design Code:</b>	B	<b>Shaft Slinger Indicator:</b>	No Slinger
<b>Drip Cover:</b>	No Drip Cover	<b>Speed Code:</b>	2S-1W-VT
<b>Duty Rating:</b>	CONT	<b>Motor Standards:</b>	NEMA
<b>Electrically Isolated Bearing:</b>	Not Electrically Isolated	<b>Starting Method:</b>	Direct on line
<b>Feedback Device:</b>	NO FEEDBACK	<b>Thermal Device - Bearing:</b>	NONE (OLD)
<b>Front Face Code:</b>	Standard	<b>Thermal Device - Winding:</b>	None
<b>Front Shaft Indicator:</b>	None	<b>Vibration Sensor Indicator:</b>	No Vibration Sensor
<b>Heater Indicator:</b>	No Heater	<b>Winding Thermal 1:</b>	None
		<b>Winding Thermal 2:</b>	None

Nameplate NP1256L										
CAT.NO.	M1210T									
SPEC.	37B01Y58									
HP	10/2.5									
VOLTS	460									
AMP	13/5									
RPM	1725/850									
FRAME	215T				HZ	60			PH	3
SER.F.	1.15		CODE	J	DES	B		CLASS	F	
NEMA-NOM-EFF			PF							
RATING	40C AMB-CONT									
CC									USABLE AT 208V	
DE	6307				ODE	6206				
ENCL	OPEN		SN							

Parts List		
Part Number	Description	Quantity
SA030408	SA 37B01Y58	1.000 EA
RA026449	RA 37B01Y58	1.000 EA
HW3200A01	3/8-16X3/4 I-BLT WELDED F/S	1.000 EA
37CB3006	37 CB CASTING W/1.38 LEAD HOLE @ 6:00	1.000 EA
51XW2520A12	.25-20 X .75, TAPTITE II, HEX WSHR SLTD	2.000 EA
11XW1032G06	10-32 X .38, TAPTITE II, HEX WSHR SLTD U	1.000 EA
37EP3203A00	MASTER,ODE,206 BRG,GREASER	1.000 EA
HW4500A01	1641B(ALEMITE)400 UNIV, GREASE FITT	1.000 EA
HW5100A06	W2420-025 WVY WSHR (WB)	1.000 EA
37EP3204D00	MASTER,DE,307 BRG,GREASER	1.000 EA
HW4500A01	1641B(ALEMITE)400 UNIV, GREASE FITT	1.000 EA
XY3118A12	5/16-18 HEX NUT DIRECTIONAL SERRATION	4.000 EA
37CB4516	LIPPED LID FOR 37 FRAME NEC KOBX	1.000 EA
51XW0832A07	8-32 X .44, TAPTITE II, HEX WSHR SLTD SE	4.000 EA
HW2501F21	KEY, 5/16 SQ X 2.375	1.000 EA
HA7000A02	KEY RETAINER RING, 1 1/8 DIA, 1 3/8 DIA	1.000 EA
85XU0407S04	4X1/4 U DRIVE PIN STAINLESS	2.000 EA
LB1115N	LABEL,LIFTING DEVICE (ON ROLLS)	1.000 EA
MJ1000A02	GREASE, POLYREX EM EXXON (USe 4824-15A)	0.050 LB
MG1000G27	MED CHARCOAL METALLIC GREY 400-0096	0.028 GA
HA3104A17	5/16-18X13.250 T-BLT/OHIO	4.000 EA
LB1119N	WARNING LABEL	1.000 EA
LC0032	CONNECTION LABEL	1.000 EA
NP1256L	ALUM UL CSA CC INDUSTRIAL MOTOR A60	1.000 EA

<b>Parts List (continued)</b>		
<b>Part Number</b>	<b>Description</b>	<b>Quantity</b>
36PA1001	PKG GRP, PRINT PK1017A06	1.000 EA
MN416A01	TAG-INSTAL-MAINT no wire (1200/bx) 5/18	1.000 EA
PE-0000001	ZRTG PE ASSEMBLY	1.000 EA
FE-0000001	ZRTG FE ASSEMBLY	1.000 EA

<b>Accessories</b>		
<b>Part Number</b>	<b>Description</b>	<b>Multiplier</b>
37-1404	C FACE KIT	A8

**AC Induction Motor Performance Data**

Record # 12223 - Typical performance - not guaranteed values

<b>Winding:</b> 37WGY058-R001	<b>Type:</b> 3744M	<b>Enclosure:</b> OPEN
-------------------------------	--------------------	------------------------

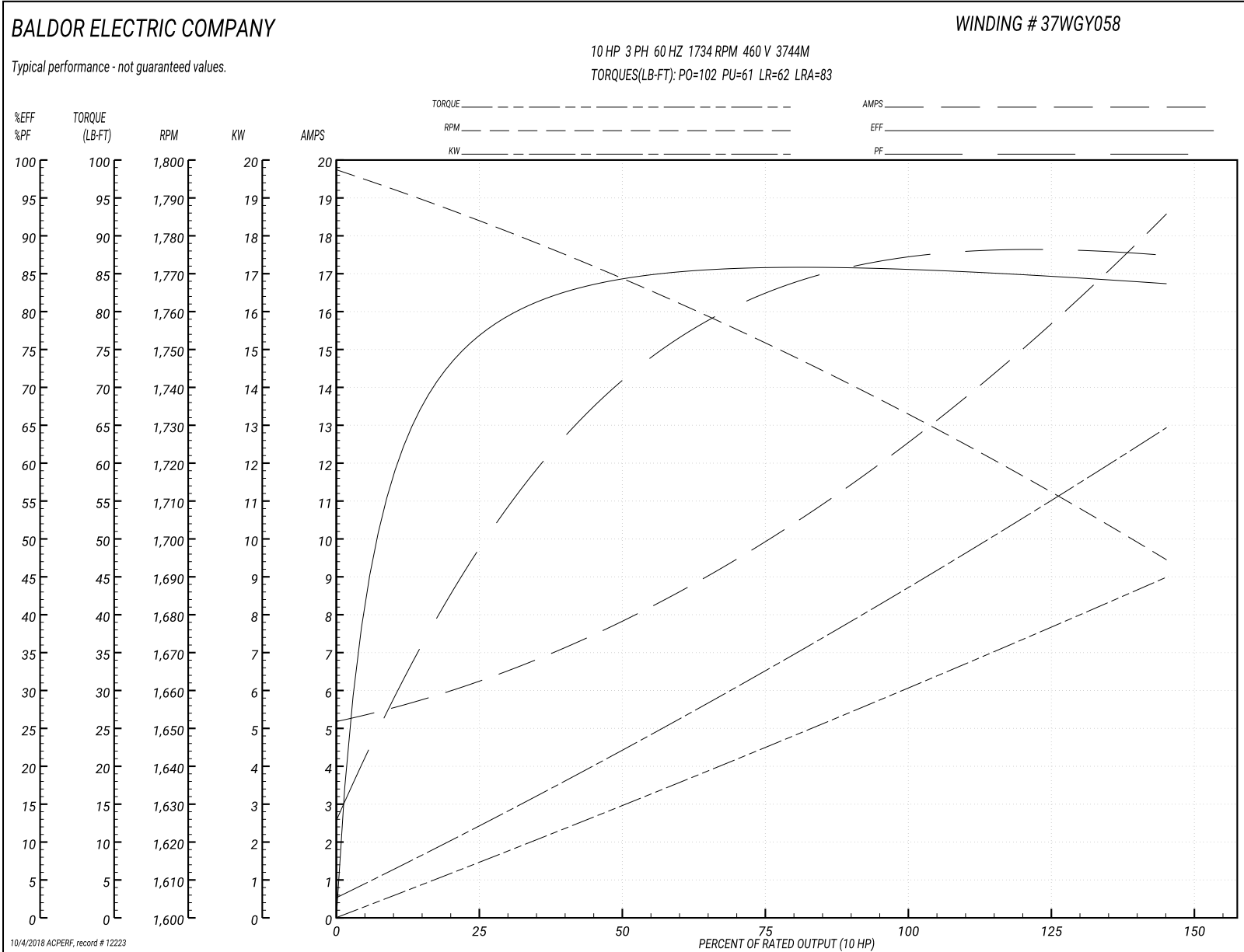
Nameplate Data				460 V, 60 Hz: High Speed Connection	
Rated Output (HP)	10/2.5			Full Load Torque	30 LB-FT
Volts	460			Start Configuration	direct on line
Full Load Amps	13/5			Breakdown Torque	102 LB-FT
R.P.M.	1725/850			Pull-up Torque	61 LB-FT
Hz	60	Phase	3	Locked-rotor Torque	62 LB-FT
NEMA Design Code	B	KVA Code	J	Starting Current	83 A
Service Factor (S.F.)	1			No-load Current	5.3 A
NEMA Nom. Eff.	0	Power Factor	0	Line-line Res. @ 25°C	1.44 Ω
Rating - Duty	40C AMB-CONT			Temp. Rise @ Rated Load	76°C

Load Characteristics 460 V, 60 Hz, 10 HP

% of Rated Load	25	50	75	100	125	150
Power Factor	51	72	82	87	90	91
Efficiency	76.3	84	85.8	85.8	85	83.5
Speed	1783	1768	1752	1734	1715	1694
Line amperes	6.1	7.8	10	12.5	15.4	18.5



Performance Graph at 460V, 60Hz, 10.0HP Typical performance - Not guaranteed values



**AC Induction Motor Performance Data**

Record # 12224 - Typical performance - not guaranteed values

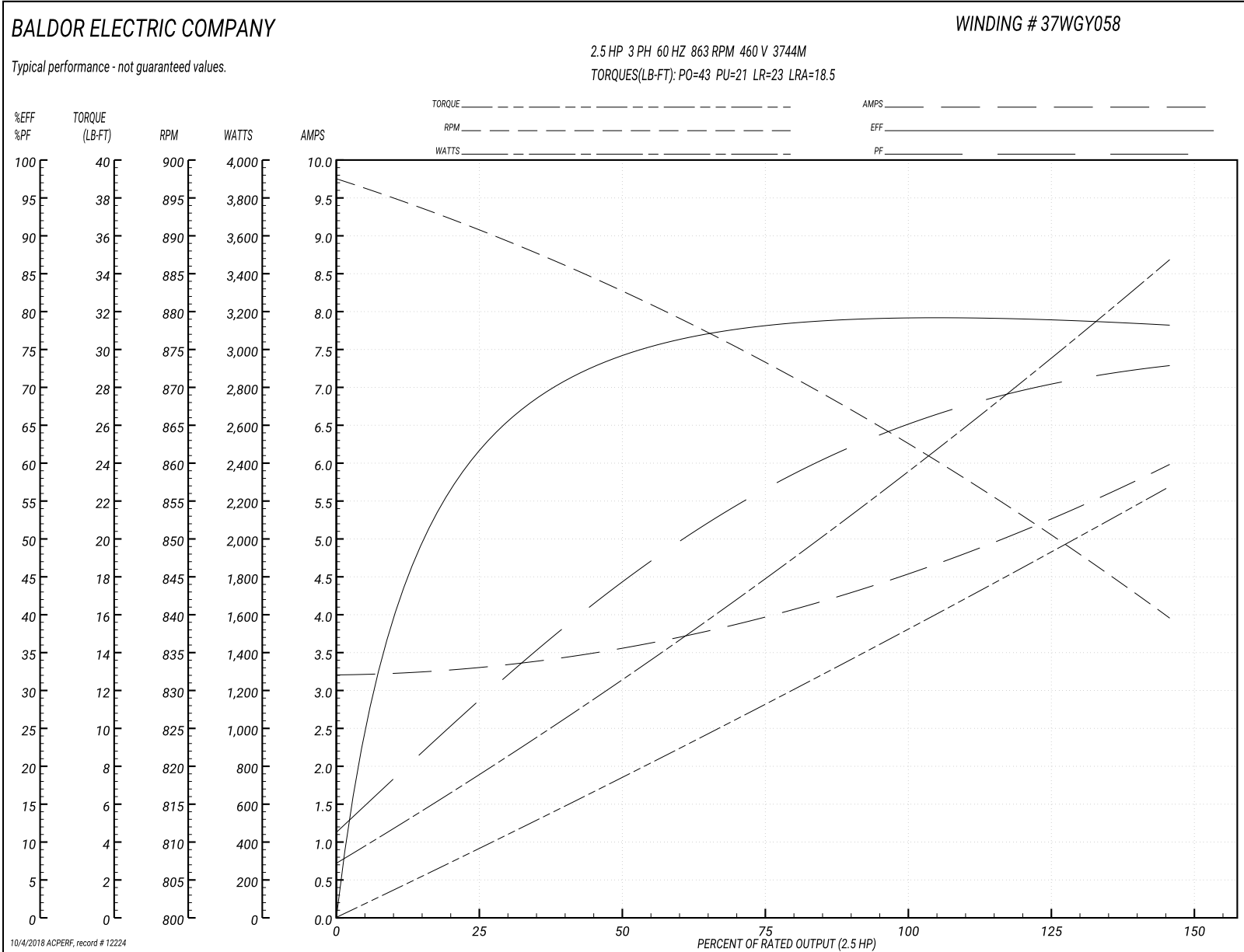
<b>Winding:</b> 37WGY058-R001	<b>Type:</b> 3744M	<b>Enclosure:</b> OPEN
-------------------------------	--------------------	------------------------

Nameplate Data				460 V, 60 Hz: Low Speed Connection	
Rated Output (HP)	10/2.5			Full Load Torque	15.2 LB-FT
Volts	460			Start Configuration	direct on line
Full Load Amps	13/5			Breakdown Torque	43 LB-FT
R.P.M.	1725/850			Pull-up Torque	21 LB-FT
Hz	60	Phase	3	Locked-rotor Torque	23 LB-FT
NEMA Design Code	B	KVA Code	J	Starting Current	18.5 A
Service Factor (S.F.)	1			No-load Current	3.2 A
NEMA Nom. Eff.	0	Power Factor	0	Line-line Res. @ 25°C	5.89 Ω
Rating - Duty	40C AMB-CONT			Temp. Rise @ Rated Load	51°C

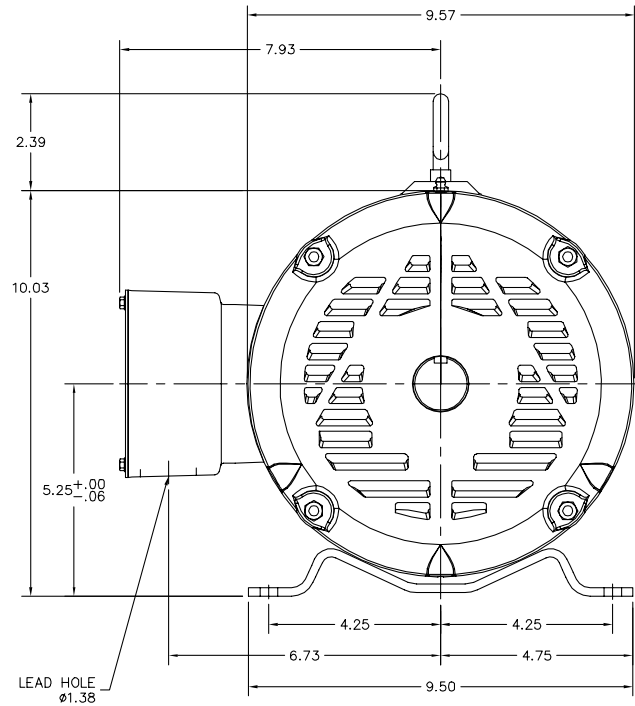
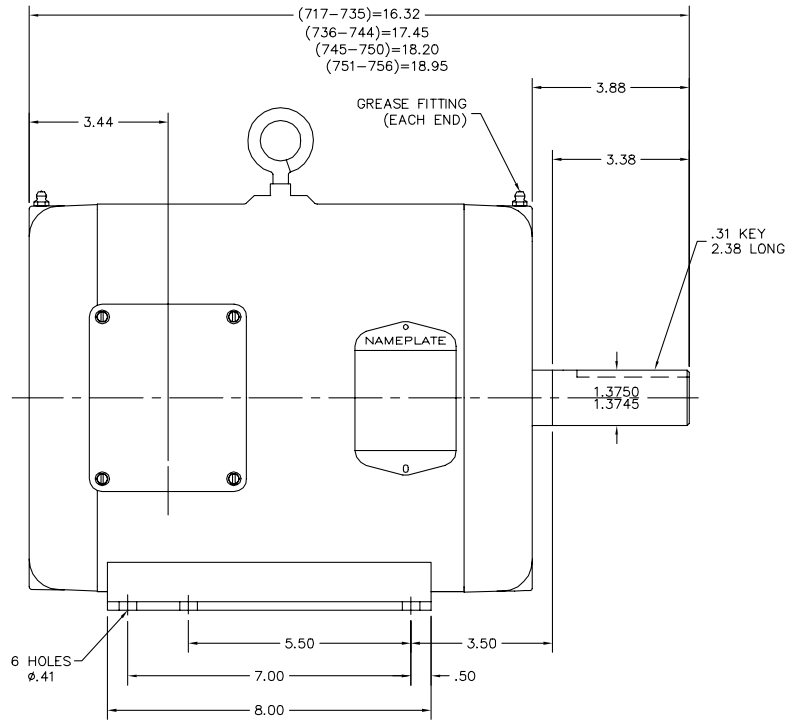
Load Characteristics 460 V, 60 Hz, 2.5 HP

% of Rated Load	25	50	75	100	125	150
Power Factor	29	45	57	66	71	75
Efficiency	61.7	74	78.2	79.5	79.2	78
Speed	890	882	873	863	852	839
Line amperes	3.3	3.6	4	4.5	5.2	6

Performance Graph at 460V, 60Hz, 2.5HP Typical performance - Not guaranteed values



37LYB001



37LYB001

CUSTOMER IS RESPONSIBLE FOR DETERMINING THAT BALDOR'S PRODUCT WILL PERFORM SUITABLY IN THE INTENDED APPLICATION.

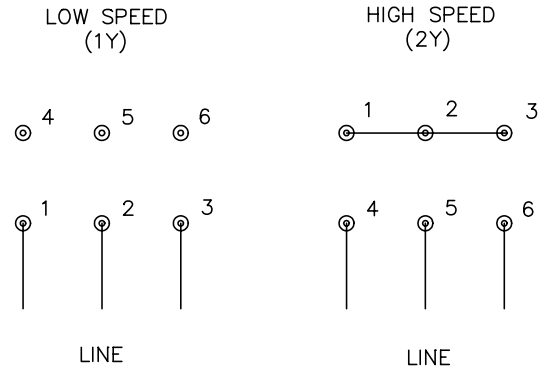
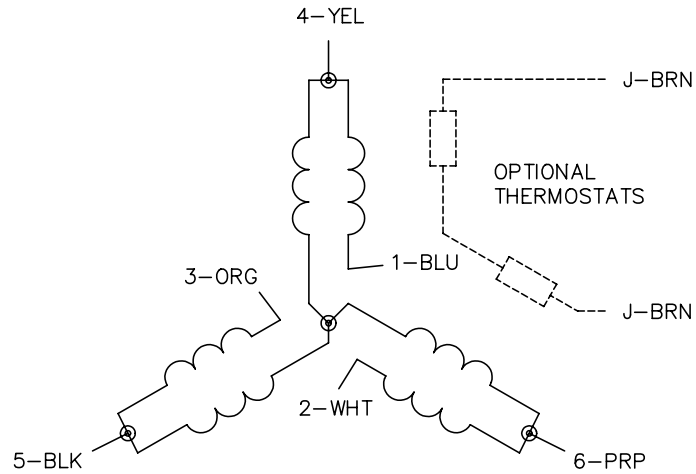
REV. DESC: REPLACE ENDPLATES	VERSION: 02	TDR: 000001018975
REV. LTR: M	REVISED: 08:44:50 03/07/2017	BY: USZAHAR
FILE: \AAA\00002\757		
MTL: -		

**BALDOR**

STANDARD HORZ NEMA 213T-215T OPEN 37M

SH 1 of 1

CD0032



NOTES:

1. INTERCHANGE ANY TWO LINE LEADS TO REVERSE ROTATION.
2. OPTIONAL THERMOSTATS ARE PROVIDED WHEN SPECIFIED.
3. ACTUAL NUMBER OF INTERNAL PARALLEL CIRCUITS MAY BE A MULTIPLE OF THOSE SHOWN ABOVE.
4. LEAD COLORS ARE OPTIONAL. LEADS MUST ALWAYS BE NUMBERED AS SHOWN.

REV. DESC: REVISE TO SHOW OPTIONAL COLORS			
REV. LTR: E	BY: JLP	REVISED: 01/22/99 8:27	TDR: 0171435
CD0032		FILE: AAA00005145	MDL: -
		MTL: -	

**BALDOR ELECTRIC Co.**

3PH, SV, 6 LEADS, 2-SPEED 1-WINDING VARIABLE TORQUE

CD0032