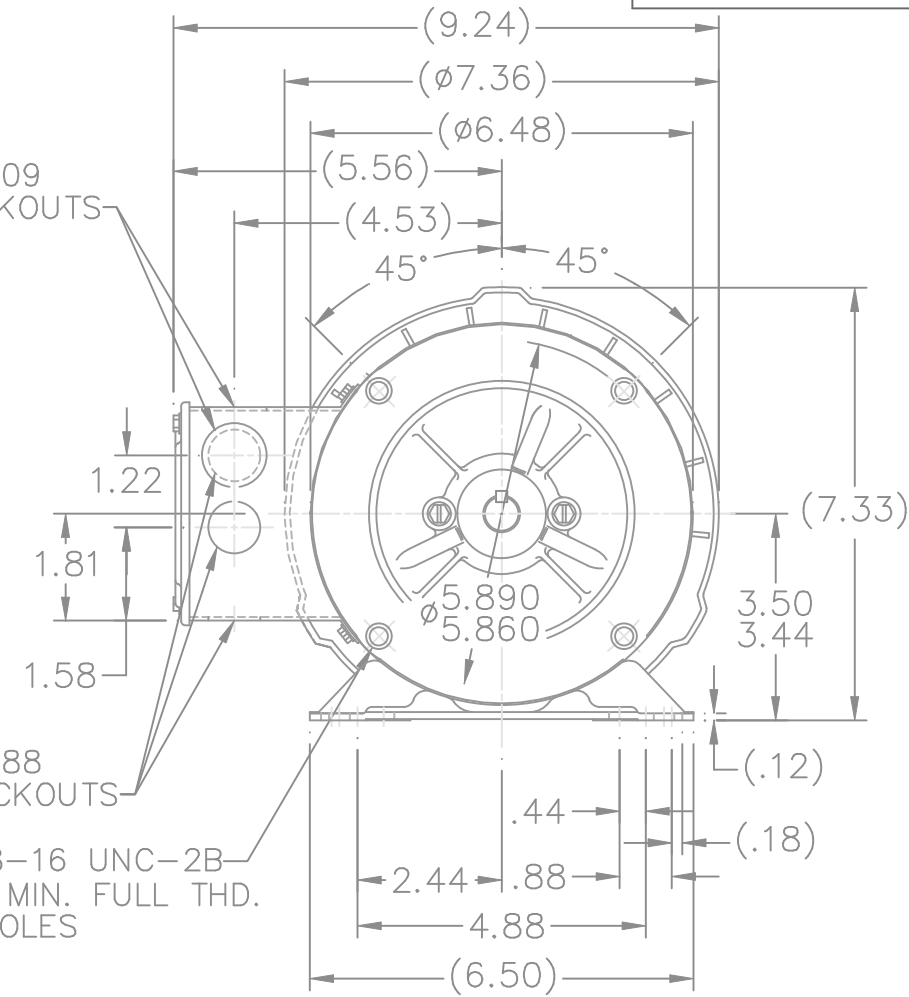


2- ϕ 1.09
KNOCKOUTS

3- ϕ .88
KNOCKOUTS

3/8-16 UNC-2B
.56 MIN. FULL THD.
4 HOLES



NOTES:
1. CONDUIT BOX CAN BE ROTATED 180°
2. NAMEPLATE READ FROM CONDUIT BOX SIDE OF MOTOR.

DASH	FR.	C	AG	BS	DASH	FR.	C	AG	BS
656	56-65	11.82	9.75	3.25	856	56-85	13.82	11.75	5.25
706	56-70	12.32	10.25	3.75	906	56-90	14.32	12.25	5.75
756	56-75	12.82	10.75	4.25	956	56-95	14.82	12.75	6.25
806	56-80	13.32	11.25	4.75					

10-07-1999
02-15-2000

12-16-2003
12-16-2003

		TOLERANCES UNLESS SPECIFIED		Lincoln MOTORS		DRAWN BLR 06-10-1999	
		DEC.	INCHES			CHK	ML 06-18-1999
		.X	±.1			APPD	GK 06-18-1999
		.XX	±.03	TITLE OUTLINE		SCALE	5=16
2	AD'D NAMEPLATE LOC.	.XXX	±.005	56 FR. - TEFC - 3 - 'C' FACE		REF	
1	NEW DRAWING	.XXXX	±.0005	MAT'L.		FMF	
NO.	REVISION	CHK	ANG	±7'30"	FINISH	PREV	

THIS DRAWING IN DESIGN AND DETAIL IS OUR PROPERTY AND MUST NOT BE USED EXCEPT IN CONNECTION WITH OUR WORK ALL RIGHTS OF DESIGN AND INVENTION ARE RESERVED THIS IS AN ELECTRONICALLY GENERATED DOCUMENT - DO NOT SCALE THIS PRINT		RFP	CAD FILE 100109LN	SIZE	DRAWING NO. 100109LN	PAGE OF	REV. 2
		DIST WP		A			