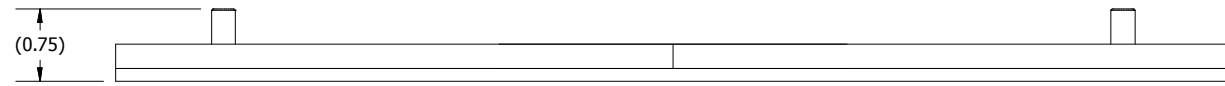
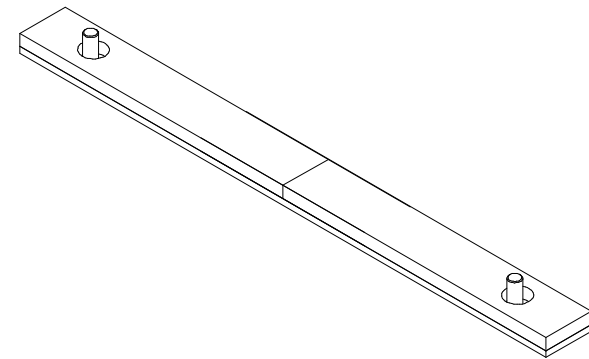


TOP VIEW



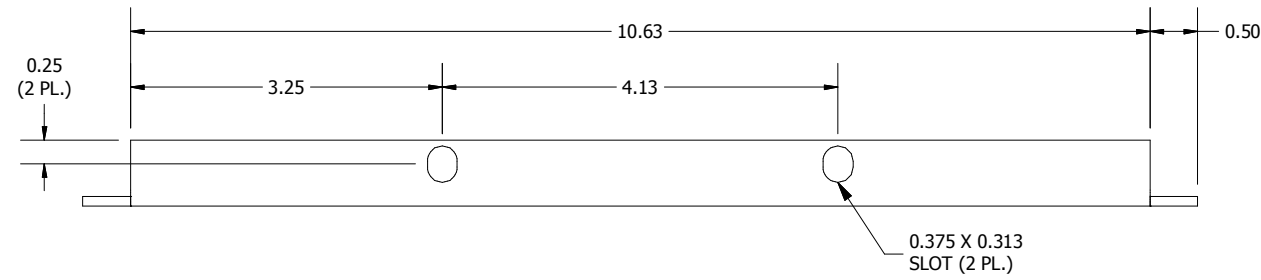
BOTTOM ASSEMBLY FRONT VIEW

ALIGN SIDES OF GASKET WITH
SIDE OF BOTTOM PIECE

ALIGN GASKET WITH FRONT
FACE OF BOTTOM PIECE

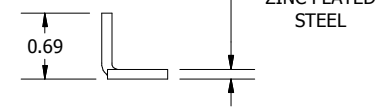
SIDE VIEW

10 GA.
ZINC PLATED
STEEL



TOP PIECE FRONT VIEW

0.375 X 0.313
SLOT (2 PL.)



SIDE VIEW

12 GA.
ZINC PLATED
STEEL

1/4-20 KEP NUT PACKAGED
& SHIPPED WITH WIREWAY
FITTING (NOT INSTALLED)
(2 PL.)

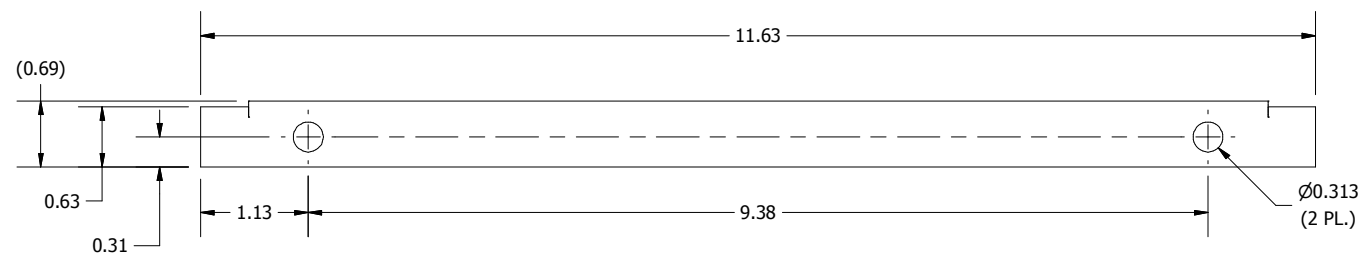
TOP PIECE PACKAGED &
SHIPPED WITH WIREWAY
FITTING (NOT INSTALLED)

GASKET INSTALLED
ON BOTTOM PIECE

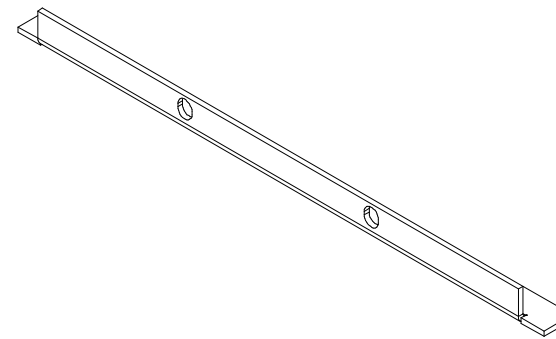
BOTTOM PIECE

1/4-20 X 3/4" ZN. PLTD. PEM
STUD INSTALLED IN BOTTOM
PIECE (2 PL.)

ASSEMBLY EXPLODED VIEW



BOTTOM VIEW



PART#: LJW126ASP
(DATA SUBJECT TO CHANGE WITHOUT NOTICE)

THIS DRAWING IS PROPERTY OF HUBBELL INC. WIEGMANN
ALL INFORMATION IS PROPRIETARY AND NOT TO BE DUPLICATED