

www.schneider-electric.com  
W9 1378085 0511 A07  
06 - 2016

**▲▲ DANGER / 危险**  
**HAZARD OF ELECTRIC SHOCK, EXPLOSION, OR ARC FLASH**  
Disconnect all power before servicing equipment. Failure to follow these instructions will result in death or serious injury.  
可能有触电、爆炸或者电弧灼伤的危险。在此电力设备上进行操作时，请先断开所有电源。不遵守上述规定将可能导致人员伤亡。

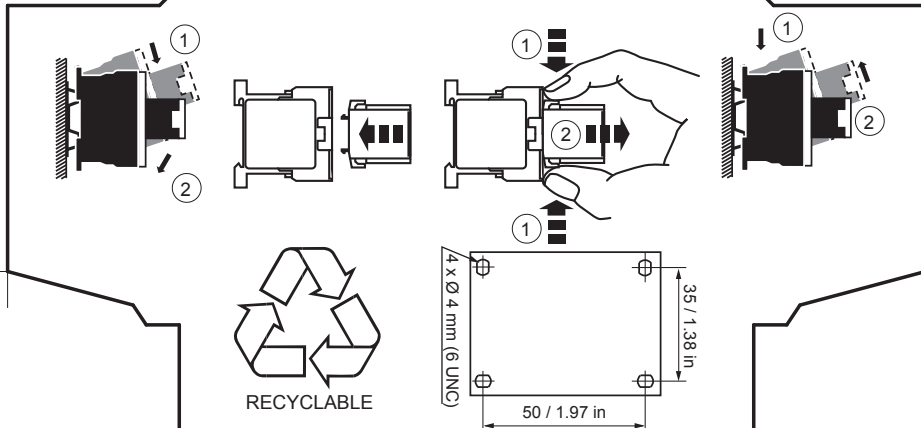
For Motor Starting Use Schneider Electric Overload Relay Series LR.  
电动机启动请使用施耐德电气LR系列过载继电器。

Philips N 2		Ø6							
mm	mm <sup>2</sup>	mm <sup>2</sup>	mm <sup>2</sup>	mm <sup>2</sup>	mm <sup>2</sup>	mm	C N.m	L mm	Ø mm
1 x 6,35 2 x 2,8	0,34 2,5	0,34... 2,5 + 0,34... 1,5	0,75 4	0,75... 4 + 0,75... 4	1,5 4 + 1,5... 4	7	1.3	7	3

AWG: 1 x 18 min, 2 x 14 or 1 x 12 max  
规格: 1 x 18最小值, 2 x 14或1 x 12最大值

Torque 1.3 N.m (12 lb-in) max  
扭矩: 1.3 N.m(12lb-in)最大值

3P AC TeSys K contactors are grade 2 according to GB 21518.  
Maximum power consumption lower than 5.0 VA.  
根据GB 21518标准:  
三相 TeSys K系列交流接触器能效等级为2级, 产品最大吸持功率低于5.0 VA



**▲ WARNING / 警告**  
**RISK OF FIRE OR ELECTRIC SHOCK (FOR CONTACTOR WITH UL HI-FAULT SHORT CIRCUIT CURRENT RATINGS ONLY)**  
The opening of the branch-circuit protective device may be an indication that a fault current has been interrupted.  
To reduce the risk of fire or electric shock, current-carrying parts and the other components of the controller should be examined and replaced if damaged.  
**Failure to follow these instructions can result in death, serious injury, or equipment damage.**  
可能有火灾或者触电的危险 (仅限 UL 高故障短路电流额定值的接触器)。支路保护设备断开, 表明故障电流已被中断。为降低火灾或触电风险, 应检查带电部件和其它控制元件, 如有损坏, 需及时更换。不遵循上述规定将可能导致人员伤亡或设备损坏。

