

BALDOR® • RELIANCE 

Product Information Packet

L4005A

.33HP,3450RPM,1PH,60HZ,48,X3413L,XPFC,F1

| Part Detail | | | | | | | |
|-------------|---------|-------------|------------|-------------|----------------|---------------|----|
| Revision: | AD | Status: | PRD/A | Change #: | | Proprietary: | No |
| Type: | AC | Elec. Spec: | 34WG0650 | CD Diagram: | CD0565 | Mfg Plant: | |
| Mech. Spec: | 34-5426 | Layout: | 34LY5426 | Poles: | 02 | Created Date: | |
| Base: | RG | Eff. Date: | 06-14-2018 | Leads: | 6#18,1#16 #4TH | | |

| Specs | | | |
|---------------------------------|-------------------------|--------------------------------|--------------------|
| Catalog Number: | L4005A | Inverter Code: | Not Inverter |
| Enclosure: | XPFC | KVA Code: | K |
| Frame: | 48 | Lifting Lugs: | No Lifting Lugs |
| Frame Material: | Steel | Locked Bearing Indicator: | No Locked Bearing |
| Output @ Frequency: | .330 HP @ 60 HZ | Motor Lead Quantity/Wire Size: | 6 @ 18 AWG |
| Synchronous Speed @ Frequency: | 3600 RPM @ 60 HZ | Motor Lead Exit: | Ko Box |
| Voltage @ Frequency: | 115.0 V @ 60 HZ | Motor Lead Termination: | Flying Leads |
| | 230.0 V @ 60 HZ | Motor Type: | 3413L |
| XP Class and Group: | CLI GP D; CLII GP F,G | Mounting Arrangement: | F1 |
| XP Division: | Division I | Power Factor: | 68 |
| Agency Approvals: | UR | Product Family: | General Purpose |
| | UL | Pulley End Bearing Type: | Ball |
| | CSA | Pulley Face Code: | Standard |
| Auxillary Box: | No Auxillary Box | Pulley Shaft Indicator: | Standard |
| Auxillary Box Lead Termination: | None | Rodent Screen: | None |
| Base Indicator: | Rigid | RoHS Status: | ROHS COMPLIANT |
| Bearing Grease Type: | Polyrex EM (-20F +300F) | Shaft Extension Location: | Pulley End |
| Blower: | None | Shaft Ground Indicator: | No Shaft Grounding |

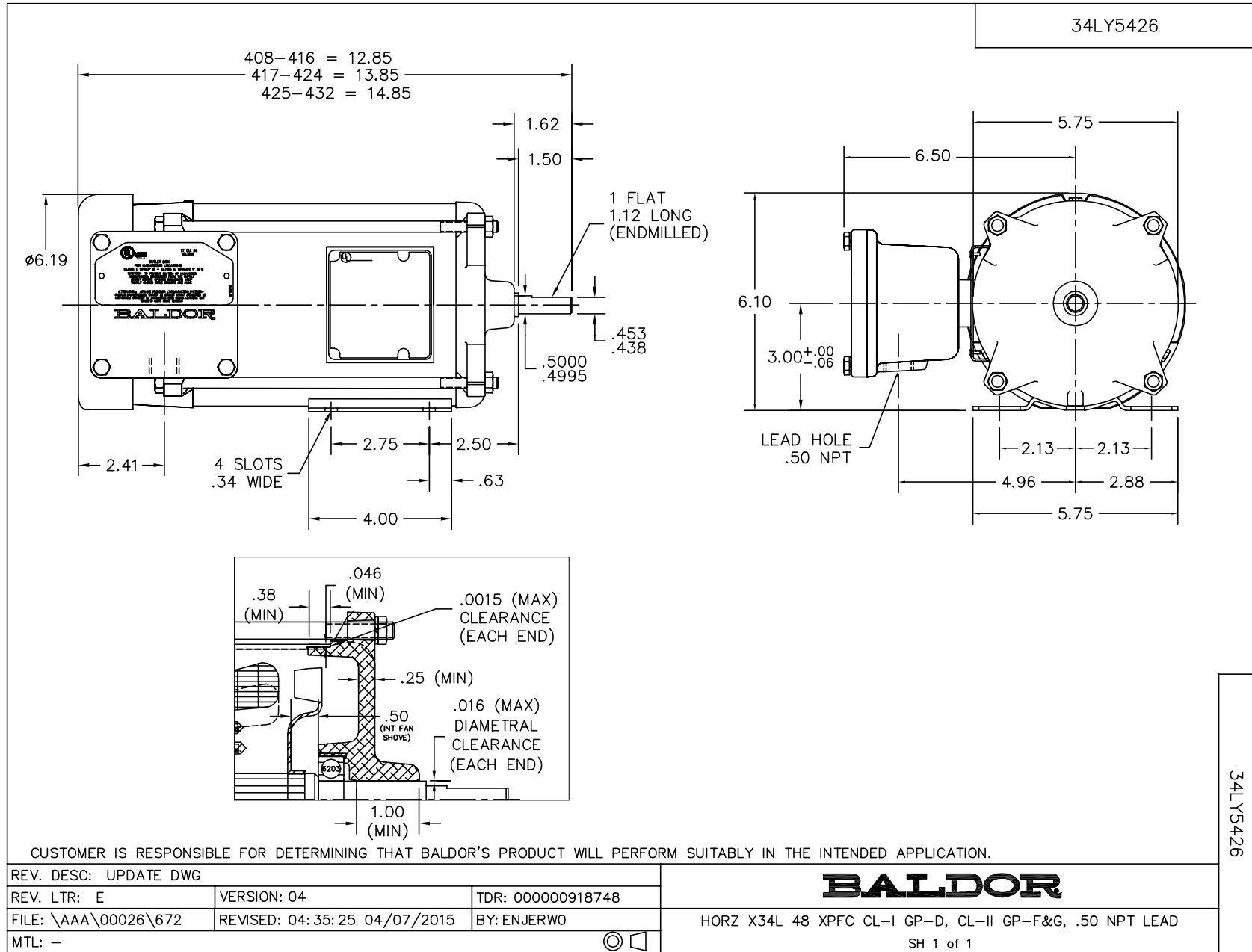
| | | | |
|---------------------------------------|---------------------------|------------------------------------|----------------------------|
| Current @ Voltage: | 3.000 A @ 230.0 V | Shaft Rotation: | Reversible |
| | 6.000 A @ 115.0 V | Shaft Slinger Indicator: | No Slinger |
| Design Code: | N | Speed Code: | Single Speed |
| Drip Cover: | No Drip Cover | Motor Standards: | NEMA |
| Duty Rating: | CONT | Starting Method: | Direct on line |
| Electrically Isolated Bearing: | Not Electrically Isolated | Thermal Device - Bearing: | NONE (OLD) |
| Feedback Device: | NO FEEDBACK | Thermal Device - Winding: | None |
| Front Face Code: | Standard | Vibration Sensor Indicator: | No Vibration Sensor |
| Front Shaft Indicator: | None | Winding Thermal 1: | Automatic Thermal Overload |
| Heater Indicator: | No Heater | Winding Thermal 1 Location: | SB |
| Insulation Class: | B | Winding Thermal 2: | None |
| | | XP Temp Code: | T3C |

| | | | | | | | | | | |
|----------------------|--------------|--------------|-----|----|------|---|--|--|--|--|
| Nameplate NP0016XPSL | | | | | | | | | | |
| NO. | | CC | | | | | | | | |
| SER. | | | | | | | | | | |
| SPEC. | 34-5426-650 | | | | | | | | | |
| CAT.NO. | L4005A | | | | | | | | | |
| HP | .33 | T. CODE | T3C | | | | | | | |
| VOLTS | 115/230 | | | | | | | | | |
| AMPS | 6/3 | | | | | | | | | |
| RPM | 3450 | | | | | | | | | |
| HZ | 60 | PH | 1 | CL | B | | | | | |
| SER.F. | 1.00 | DES | N | | CODE | K | | | | |
| RATING | 40C AMB-CONT | | | | | | | | | |
| FRAME | 48 | NEMA-NOM-EFF | 55 | | | | | | | |
| USABLE AT 208V | | PF | 68 | | | | | | | |
| BLANK | | | | | | | | | | |

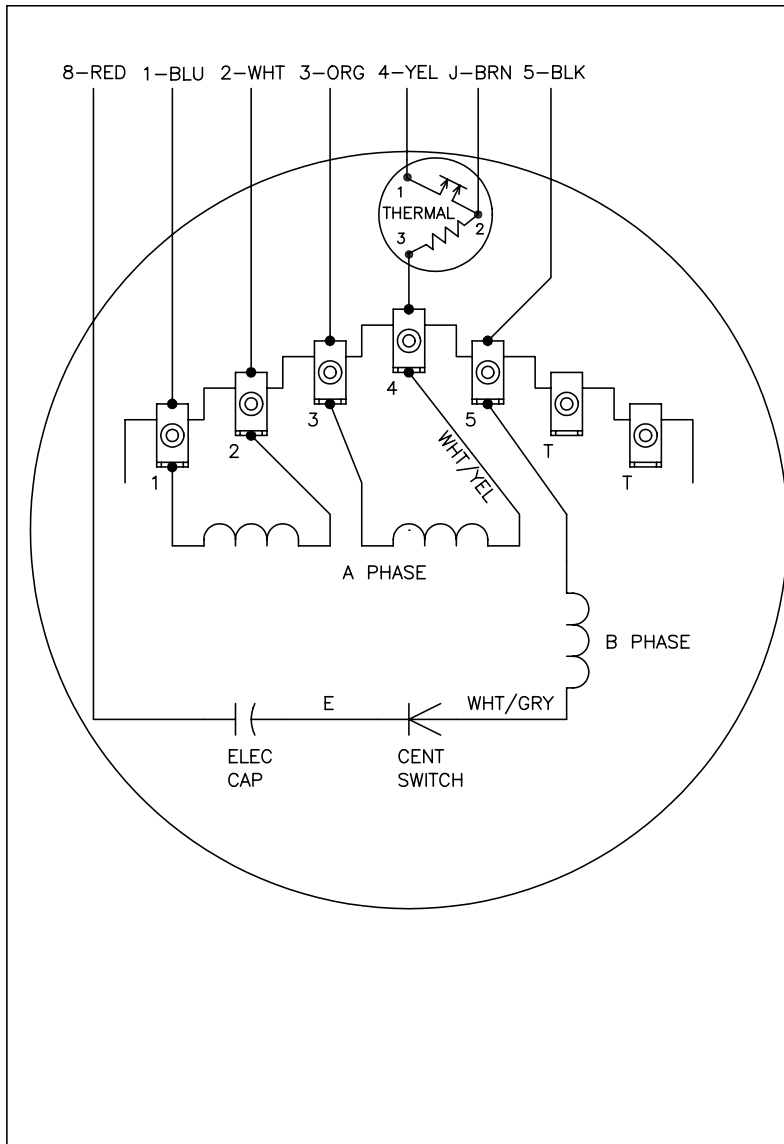
| Parts List | | |
|---------------|------------------------------------------|----------|
| Part Number | Description | Quantity |
| SA009056 | SA 34-5426-650 | 1.000 EA |
| RA005503 | RA 34-5426-650 | 1.000 EA |
| TPMRG61RX | THERMAL 1PH 0.75 AUT 120C | 1.000 EA |
| EC1088A08 | ELEC CAP 115V 1.125X2.750 X | 1.000 EA |
| EC1108A08 | ELEC CAP, 108-130 MFD, 125V, 1.13D X 2. | 1.000 EA |
| MJ5000A01 | SEALANT, CHICO A COMPOUND | 0.050 LB |
| 35CB3001A01SP | EXPL CONDUIT BOX, MACH, 1/2" PIPE TAP LE | 1.000 EA |
| 11XW1032G06 | 10-32 X .38, TAPTITE II, HEX WSHR SLTD U | 1.000 EA |
| HW3001B01 | BRASS CUP WASHER, FOR #10 SCREW | 1.000 EA |
| 34EP3703A01 | FR ENDPLATE, MACH XP | 1.000 EA |
| 51XW0832A07 | 8-32 X .44, TAPTITE II, HEX WSHR SLTD SE | 2.000 EA |
| HW4002A02 | 1-11.5X2LG PIPE NIPPLE (F/S) | 1.000 EA |
| HA1025A13 | WSHR,FELT,.38" THICK F-26 CLASS | 1.000 EA |
| HW3021E06 | 1/8 DIA X 5/8 ROLLPIN (F/S) | 1.000 EA |
| HW5100A03 | WAVY WASHER (W1543-017) | 1.000 EA |
| 34EP3704A01 | PU ENDPLATE, MACH XP | 1.000 EA |
| XY3118A12 | 5/16-18 HEX NUT DIRECTIONAL SERRATION | 4.000 EA |
| 34FN3002A01SP | EXTERNAL FAN, PLASTIC, .637/.639 HUB W/ | 1.000 EA |
| 34FH4002A01SP | IEC FH NO GREASER PRIMED | 1.000 EA |
| 51XW1032A06 | 10-32 X .38, TAPTITE II, HEX WSHR SLTD S | 3.000 EA |
| 35CB3500A01SP | CONDUIT BOX LID, MACH | 1.000 EA |
| 51XN2520A16 | SCREW, HEX WS SLT, ZN, 1/4-20 X 1.00 | 4.000 EA |
| 85XU0407S04 | 4X1/4 U DRIVE PIN STAINLESS | 4.000 EA |
| NP0018W | ALUM UL XP CONDUIT BOX NAMEPLATE | 1.000 EA |

| Parts List (continued) | | |
|-------------------------------|------------------------------------------|-----------------|
| Part Number | Description | Quantity |
| 85XU0407S04 | 4X1/4 U DRIVE PIN STAINLESS | 2.000 EA |
| WD1000A16 | 2-520128-2 AMP FLAG TERMINAL(4M/RL) | 5.000 EA |
| WD1000A16 | 2-520128-2 AMP FLAG TERMINAL(4M/RL) | 6.000 EA |
| WD1000A16 | 2-520128-2 AMP FLAG TERMINAL(4M/RL) | 7.000 EA |
| HA6003A52 | CLAMP, CAPACITOR, WHITE ZINC PLATED | 2.000 EA |
| 51XW0832A07 | 8-32 X .44, TAPTITE II, HEX WSHR SLTD SE | 2.000 EA |
| MG1025G29 | WILKOFASST, 789.229, DARK CHARCOAL GRAY | 0.014 GA |
| SP5036A01 | STAT. SWITCH ASSY. MODEL 34 TYPE L OR S | 1.000 EA |
| HA3104A05 | THRUBOLT, 5/16-18 X 8.375 | 4.000 EA |
| MN416A01 | TAG-INSTAL-MAINT no wire (1200/bx) 5/18 | 1.000 EA |
| LC0008 | CONNECTION LABEL | 1.000 EA |
| LB1118 | LABEL,WARNING (ROLL LABEL) | 1.000 EA |
| NP0016XPSL | SS XP UL CSA CC CL-I GP-D CL-II GP-F&G | 1.000 EA |
| 36PA1000 | PKG GRP, PRINT PK1016A06 | 1.000 EA |

No performance data has been
assigned to this product.



CD0565

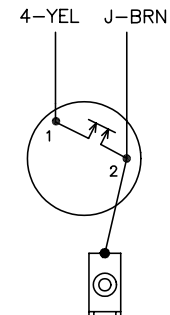


| | LINE A | LINE B | JOIN | JOIN |
|----------|--------|--------|-------|-------|
| HIGH STD | 1 | 4 | 2,3,8 | J,5 |
| HIGH OPP | 1 | 4 | 2,3,5 | J,8 |
| LOW STD | 1,3,8 | 4 | - | 2,J,5 |
| LOW OPP | 1,3,5 | 4 | - | 2,J,8 |

NOTES:

1. STANDARD ROTATION IS CCW FACING END OPPOSITE SHAFT EXTENSION.
2. MULTIPLE CAPACITORS ARE CONNECTED IN PARALLEL UNLESS OTHERWISE SPECIFIED.
3. LEAD COLORS ARE OPTIONAL. LEADS MUST ALWAYS BE NUMBERED AS SHOWN.

CONNECTIONS FOR TWO-TERMINAL THERMAL



| | | | |
|-------------------------------------------|---------|------------------------|--------------|
| REV. DESC: REVISE TO SHOW OPTIONAL COLORS | | | |
| REV. LTR: C | BY: JLP | REVISED: 04/08/99 3:25 | TDR: 0178636 |
| 9900CD | | FILE: AAA00014311 | MDL: - |
| | | MTL: - | |

BALDOR ELECTRIC Co.

TYPE L, DV, REV, THERMAL, 7 LD, 34XP

CD0565