

**BALDOR® • RELIANCE** 

**Product Information Packet**

**L3506-50**

**.75HP,2850RPM,1PH,50HZ,56,3520L,TEFC,F1**

Part Detail							
Revision:	X	Status:	PRD/A	Change #:		Proprietary:	No
Type:	AC	Elec. Spec:	35WGY958	CD Diagram:	CD0001	Mfg Plant:	
Mech. Spec:	35T944	Layout:	35LYT944	Poles:	02	Created Date:	06-22-2007
Base:	RG	Eff. Date:	05-31-2018	Leads:	6#18		

Specs			
Catalog Number:	L3506-50	Insulation Class:	B
Enclosure:	TEFC	Inverter Code:	Not Inverter
Frame:	56	KVA Code:	H
Frame Material:	Steel	Lifting Lugs:	No Lifting Lugs
Output @ Frequency:	.750 HP @ 50 HZ	Locked Bearing Indicator:	No Locked Bearing
Synchronous Speed @ Frequency:	3000 RPM @ 50 HZ	Motor Lead Quantity/Wire Size:	6 @ 18 AWG
Voltage @ Frequency:	220.0 V @ 50 HZ	Motor Lead Exit:	Ko Box
	110.0 V @ 50 HZ	Motor Lead Termination:	Flying Leads
XP Class and Group:	None	Motor Type:	3520L
XP Division:	Not Applicable	Mounting Arrangement:	F1
Agency Approvals:	UR	Power Factor:	86
	WEEE	Product Family:	General Purpose
	CSA	Pulley End Bearing Type:	Ball
	CE	Pulley Face Code:	Standard
Auxillary Box:	No Auxillary Box	Pulley Shaft Indicator:	Standard
Auxillary Box Lead Termination:	None	Rodent Screen:	None
Base Indicator:	Rigid	RoHS Status:	ROHS COMPLIANT
Bearing Grease Type:	Polyrex EM (-20F +300F)	Shaft Extension Location:	Pulley End

<b>Blower:</b>	None	<b>Shaft Ground Indicator:</b>	No Shaft Grounding
<b>Current @ Voltage:</b>	4.600 A @ 220.0 V	<b>Shaft Rotation:</b>	Reversible
	9.200 A @ 110.0 V	<b>Shaft Slinger Indicator:</b>	No Slinger
<b>Design Code:</b>	N	<b>Speed Code:</b>	Single Speed
<b>Drip Cover:</b>	No Drip Cover	<b>Motor Standards:</b>	NEMA
<b>Duty Rating:</b>	CONT	<b>Starting Method:</b>	Direct on line
<b>Electrically Isolated Bearing:</b>	Not Electrically Isolated	<b>Thermal Device - Bearing:</b>	NONE (OLD)
<b>Feedback Device:</b>	NO FEEDBACK	<b>Thermal Device - Winding:</b>	None
<b>Front Face Code:</b>	Standard	<b>Vibration Sensor Indicator:</b>	No Vibration Sensor
<b>Front Shaft Indicator:</b>	None	<b>Winding Thermal 1:</b>	None
<b>Heater Indicator:</b>	No Heater	<b>Winding Thermal 2:</b>	None

Nameplate NP1372L										
CAT.NO.	L3506-50									
SPEC.	35T944Y958G1									
HP	.75									
VOLTS	110/220									
AMP	9.2/4.6									
RPM	2850 IP54									
FRAME	56				HZ	50			PH	1
SER.F.	1.25		CODE	H	DES	N		CL	B	
NEMA-NOM-EFF	62		PF	86						
RATING	40C AMB-CONT									
CC									USABLE AT 208V	
DE	6205				ODE	6203				
ENCL	TEFC		SN							
	SFA 11.4/5.7									

Parts List		
Part Number	Description	Quantity
SA109226	SA 35T944Y958G1	1.000 EA
RA100721	RA 35T944Y958G1	1.000 EA
EC1460A05SP	ELEC CAP, 460-552 MFD, 125V, 2.06D X 3.	1.000 EA
NS2512A01	INSULATOR, CONDUIT BOX X	1.000 EA
35CB3007	35 CB CASTING W/.88 DIA. LEAD HOLE	1.000 EA
36GS1000SP	GASKET-CONDUIT BOX, .06 THICK #SV-330 LE	1.000 EA
51XB1016A07	10-16 X 7/16 HXWSSLD SERTYB	2.000 EA
11XW1032G06	10-32 X .38, TAPTITE II, HEX WSHR SLTD U	1.000 EA
51XW0832A07	8-32 X .44, TAPTITE II, HEX WSHR SLTD SE	2.000 EA
35EP3122K00	MASTER ODE,203 BRG,.683SH,#26 DRN,FH MTG	1.000 EA
51XB1016A05	10-16X5/16HX WA SL SR TYB (F/S)	2.000 EA
HW5100A03	WAVY WASHER (W1543-017)	1.000 EA
35EP3123A00	MASTER DE,205 BRG,.998SH,#26 DRN	1.000 EA
XY1032A02	10-32 HEX NUT DIRECTIONAL SERRATION	4.000 EA
51XB1214A16	12-14X1.00 HXWSSLD SERTYB	1.000 EA
51XW1032A06	10-32 X .38, TAPTITE II, HEX WSHR SLTD S	3.000 EA
35CB4521GX	CONDUIT BOX LID KIT **ORDER INDIV PARTS	1.000 EA
51XW0832A07	8-32 X .44, TAPTITE II, HEX WSHR SLTD SE	4.000 EA
HW2501D13	KEY, 3/16 SQ X 1.375	1.000 EA
HA7000A04	KEY RETAINER 0.625 DIA SHAFTS	1.000 EA
85XU0407S04	4X1/4 U DRIVE PIN STAINLESS	2.000 EA
WD1000A16	2-520128-2 AMP FLAG TERMINAL(4M/RL)	1.000 EA
MJ1000A02	GREASE, POLYREX EM EXXON (USe 4824-15A)	0.050 LB
34FN3002A01SP	EXTERNAL FAN, PLASTIC, .637/.639 HUB W/	1.000 EA

<b>Parts List (continued)</b>		
<b>Part Number</b>	<b>Description</b>	<b>Quantity</b>
35FH4005A32SP	IEC FH NO GRSR W/3 HOLES - PRIMED	1.000 EA
MG1000G27	MED CHARCOAL METALLIC GREY 400-0096	0.017 GA
SP5055A67	MODEL 35 TYPE L STATIONARY SWITCH	1.000 EA
HA3100A15	THRUBOLT 10-32 X 8.375	4.000 EA
35CB4802A02SP	CAPACITOR COVER, STAMPED X	1.000 EA
35GS3001A02	GASKET, CA.COVER, 5.38 LONG .06 CS301	1.000 EA
HA4067A01	PUSH IN DRAIN FITTING (BLACK)	1.000 EA
LB1119N	WARNING LABEL	1.000 EA
LC0001	CONN LABEL TYPE L, 6 LEAD, DUAL VOLTS, R	1.000 EA
NP1372L	ALUM UL CSA CE CC	1.000 EA
HA4067A01	PUSH IN DRAIN FITTING (BLACK)	1.000 EA
35PA1066	PKG GRP, PRINT PK1008A06	1.000 EA
FE-0000001	ZRTG FE ASSEMBLY	1.000 EA
PE-0000001	ZRTG PE ASSEMBLY	1.000 EA
MN416A01	TAG-INSTAL-MAINT no wire (1200/bx) 5/18	1.000 EA

<b>Accessories</b>		
<b>Part Number</b>	<b>Description</b>	<b>Multiplier</b>
35-8762	C FACE KIT	A8
35EP1506A01SP	D-FLANGE KIT	A8

**AC Induction Motor Performance Data**

Record # 10376 - Typical performance - not guaranteed values

<b>Winding:</b> 35WGY958-R001	<b>Type:</b> 3520L	<b>Enclosure:</b> TEFC
-------------------------------	--------------------	------------------------

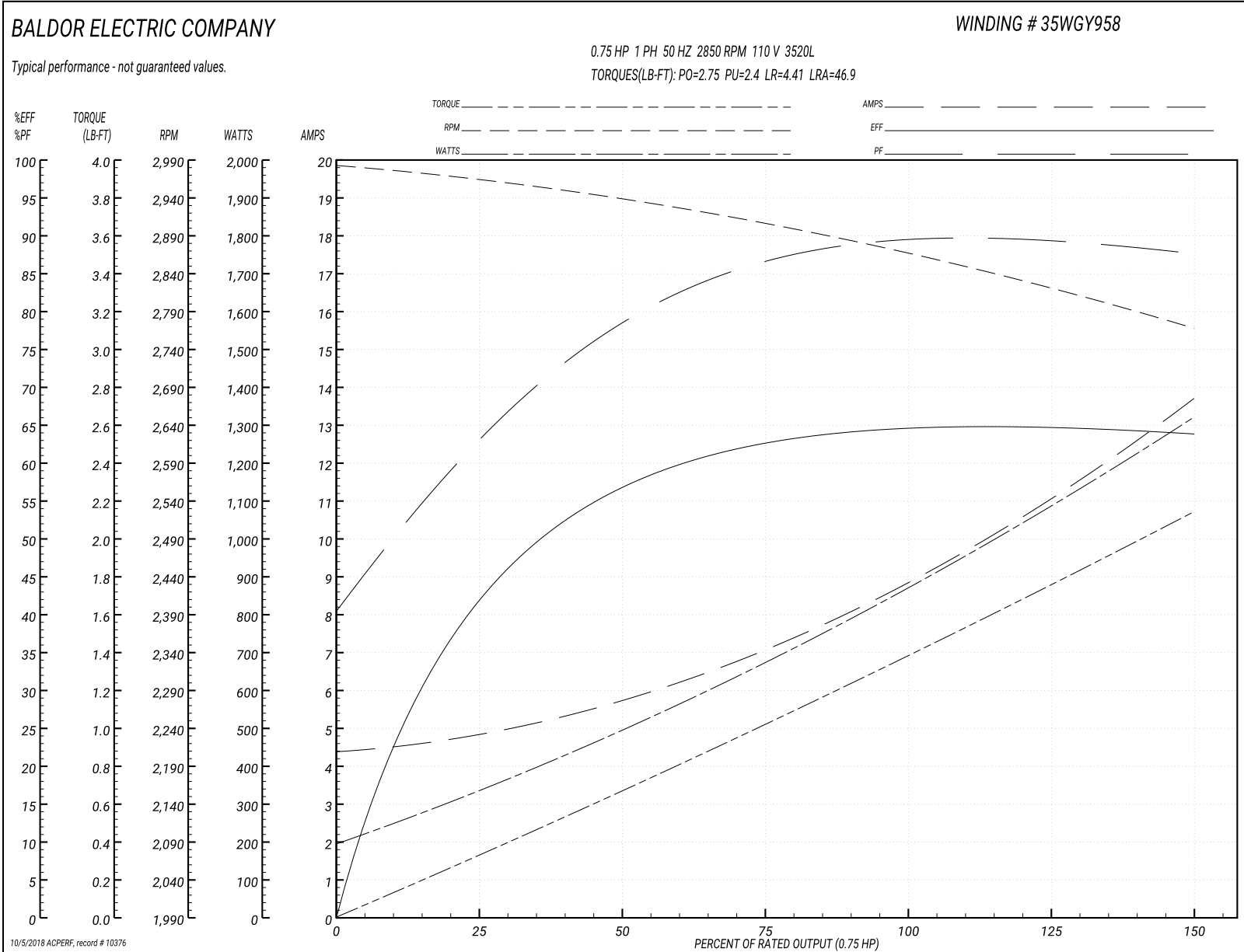
Nameplate Data				110 V, 50 Hz: Low Voltage Connection	
Rated Output (HP)	0.75			Full Load Torque	1.42 LB-FT
Volts	110/220			Start Configuration	direct on line
Full Load Amps	9.2/4.6			Breakdown Torque	2.75 LB-FT
R.P.M.	2850			Pull-up Torque	2.4 LB-FT
Hz	50	Phase	1	Locked-rotor Torque	4.41 LB-FT
NEMA Design Code	N	KVA Code	H	Starting Current	46.9 A
Service Factor (S.F.)	1.25			No-load Current	4.34 A
NEMA Nom. Eff.	62	Power Factor	86	Line-line Res. @ 25°C	0.885 Ω A Ph 3.01 Ω B Ph
Rating - Duty	40C AMB-CONT			Temp. Rise @ Rated Load	
S.F. Amps	11.4/5.7			Temp. Rise @ S.F. Load	

Load Characteristics 110 V, 50 Hz, 0.75 HP

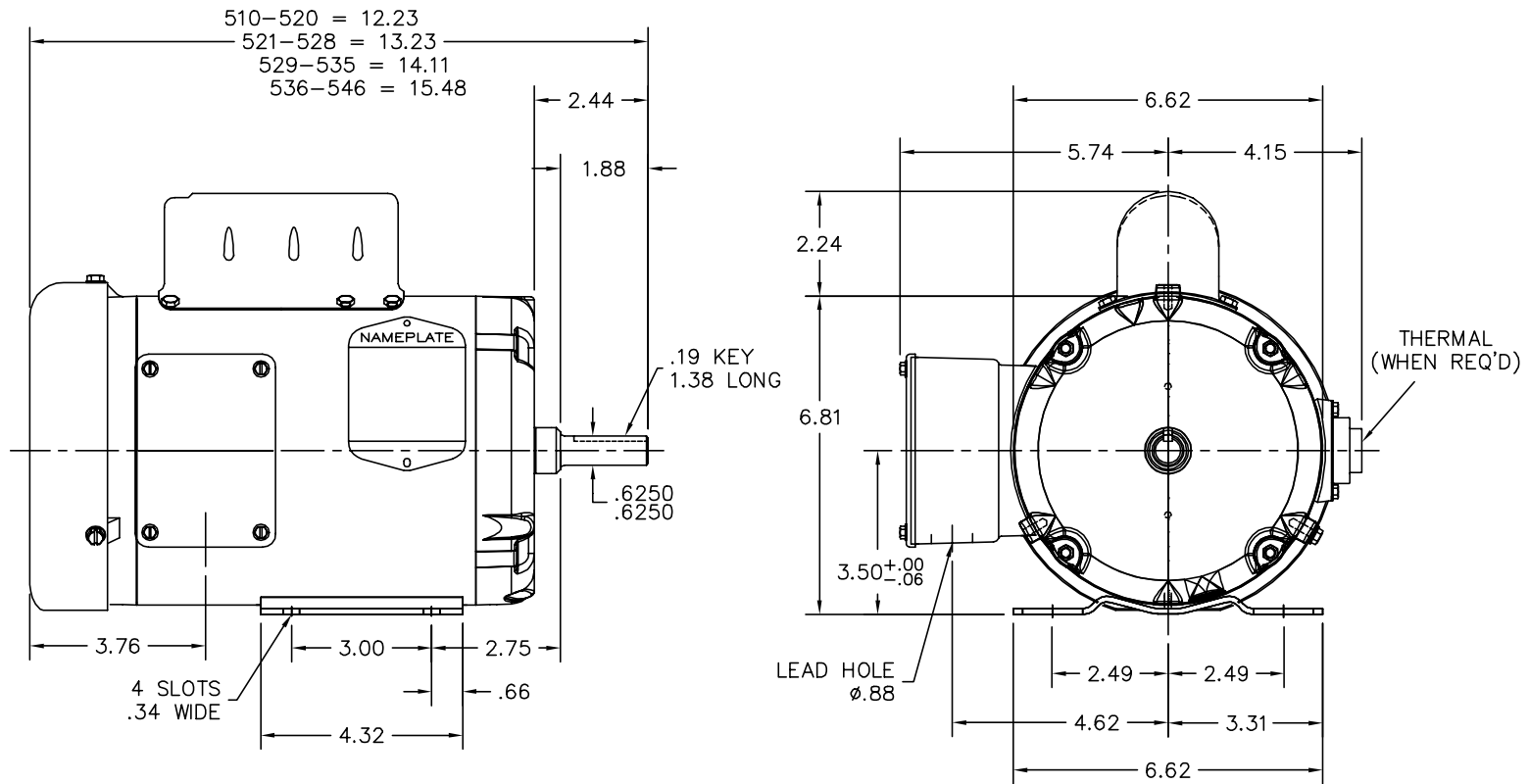
% of Rated Load	25	50	75	100	125	150	S.F.
Power Factor	65	78	88	90	89	88	89
Efficiency	42.4	57.2	63.1	64	65.9	63.3	65.9
Speed	2960	2933	2904	2864	2822	2764	2822
Line amperes	4.89	5.93	7.17	9.1	11.1	13.8	11.1




Performance Graph at 110V, 50Hz, 0.75HP Typical performance - Not guaranteed values



35LYT944



CUSTOMER IS RESPONSIBLE FOR DETERMINING THAT BALDOR'S PRODUCT WILL PERFORM SUITABLY IN THE INTENDED APPLICATION.

REV. DESC: REPLACE ENDPLATES		
REV. LTR: C	VERSION: 03	TDR: 000001063223
FILE: \AAA\00111\215	REVISED: 10:52:29 03/09/2018	BY: FPJFEGO
MTL: -		

**BALDOR**

STD HORZ 56 TEFC 35L 2 POLE "W" BASE (35BA4010)

SH 1 of 1

35LYT944

CD0001



REV. DESC: REVISE TO SHOW OPTIONAL COLORS			
REV. LTR: D	BY: JLP	REVISED: 04/08/99 1:16	TDR: 0178636
100000		FILE: AAA00007405	MDL: -
		MTL: -	

**BALDOR ELECTRIC Co.**

TYPE L, DV, REV, 6 LEADS

CD0001