

BALDOR® • RELIANCE 

Product Information Packet

L1309-50

1HP,2850RPM,1PH,50HZ,56,3432L,OPEN,F1

| Part Detail | | | | | | | |
|-------------|--------|-------------|------------|-------------|---------------------|---------------|----|
| Revision: | AB | Status: | PRD/A | Change #: | | Proprietary: | No |
| Type: | AC | Elec. Spec: | 34WGW655 | CD Diagram: | CD0001 | Mfg Plant: | |
| Mech. Spec: | 34F017 | Layout: | 34LYF017 | Poles: | 02 | Created Date: | |
| Base: | RG | Eff. Date: | 02-23-2018 | Leads: | 4#16 A PH,2#18 B PH | | |

| Specs | | | |
|---------------------------------|-------------------------|--------------------------------|-------------------|
| Catalog Number: | L1309-50 | Insulation Class: | B |
| Enclosure: | OPEN | Inverter Code: | Not Inverter |
| Frame: | 56 | KVA Code: | H |
| Frame Material: | Steel | Lifting Lugs: | No Lifting Lugs |
| Output @ Frequency: | 1.000 HP @ 50 HZ | Locked Bearing Indicator: | No Locked Bearing |
| Synchronous Speed @ Frequency: | 3000 RPM @ 50 HZ | Motor Lead Quantity/Wire Size: | 4 @ 16 AWG, A PH |
| Voltage @ Frequency: | 220.0 V @ 50 HZ | Motor Lead Exit: | Ko Box |
| | 110.0 V @ 50 HZ | Motor Lead Termination: | Flying Leads |
| XP Class and Group: | None | Motor Type: | 3432L |
| XP Division: | Not Applicable | Mounting Arrangement: | F1 |
| Agency Approvals: | UR | Power Factor: | 83 |
| | WEEE | Product Family: | General Purpose |
| | CSA | Pulley End Bearing Type: | Ball |
| | CE | Pulley Face Code: | Standard |
| Auxillary Box: | No Auxillary Box | Pulley Shaft Indicator: | Standard |
| Auxillary Box Lead Termination: | None | Rodent Screen: | None |
| Base Indicator: | Rigid | RoHS Status: | ROHS COMPLIANT |
| Bearing Grease Type: | Polyrex EM (-20F +300F) | Shaft Extension Location: | Pulley End |

| | | | |
|---------------------------------------|---------------------------|------------------------------------|---------------------|
| Blower: | None | Shaft Ground Indicator: | No Shaft Grounding |
| Current @ Voltage: | 12.000 A @ 110.0 V | Shaft Rotation: | Reversible |
| | 6.000 A @ 220.0 V | Shaft Slinger Indicator: | No Slinger |
| Design Code: | N | Speed Code: | Single Speed |
| Drip Cover: | No Drip Cover | Motor Standards: | NEMA |
| Duty Rating: | CONT | Starting Method: | Direct on line |
| Electrically Isolated Bearing: | Not Electrically Isolated | Thermal Device - Bearing: | NONE (OLD) |
| Feedback Device: | NO FEEDBACK | Thermal Device - Winding: | None |
| Front Face Code: | Standard | Vibration Sensor Indicator: | No Vibration Sensor |
| Front Shaft Indicator: | None | Winding Thermal 1: | None |
| Heater Indicator: | No Heater | Winding Thermal 2: | None |

| Nameplate NP1372L | | | | | | | | | | | |
|-------------------|--------------|--|--|--|------|------|----|-----|----------------|----|---|
| CAT.NO. | L1309-50 | | | | | | | | | | |
| SPEC. | 34F17W655 | | | | | | | | | | |
| HP | 1 | | | | | | | | | | |
| VOLTS | 110/220 | | | | | | | | | | |
| AMP | 12/6 | | | | | | | | | | |
| RPM | 2850 IP23 | | | | | | | | | | |
| FRAME | 56 | | | | | HZ | 50 | | PH | 1 | |
| SER.F. | 1.25 | | | | CODE | H | | DES | N | CL | B |
| NEMA-NOM-EFF | 66 | | | | PF | 83 | | | | | |
| RATING | 40C AMB-CONT | | | | | | | | | | |
| CC | | | | | | | | | USABLE AT 208V | | |
| DE | 6203 | | | | ODE | 6203 | | | | | |
| ENCL | OPEN | | | | SN | | | | | | |
| | SFA 14.6/7.3 | | | | | | | | | | |

| Parts List | | |
|---------------|--|----------|
| Part Number | Description | Quantity |
| SA010015 | SA 34F17W655 | 1.000 EA |
| RA006460 | RA 34F17W655 | 1.000 EA |
| NS2512A01 | INSULATOR, CONDUIT BOX X | 1.000 EA |
| 34CB3002A | CB CAST W/.88 DIA HOLE | 1.000 EA |
| 51XB1016A07 | 10-16 X 7/16 HXWSSLD SERTYB | 2.000 EA |
| 11XW1032G06 | 10-32 X .38, TAPTITE II, HEX WSHR SLTD U | 1.000 EA |
| 34EP3210A01SP | FR ENDPLATE, MACH | 1.000 EA |
| 51XW0832A07 | 8-32 X .44, TAPTITE II, HEX WSHR SLTD SE | 2.000 EA |
| SP1006A01 | TERM. BOARD, MODE 35 SW X H-23655 | 1.000 EA |
| 51XB1016A05 | 10-16X5/16HX WA SL SR TYB (F/S) | 2.000 EA |
| WD1000A16 | 2-520128-2 AMP FLAG TERMINAL(4M/RL) | 1.000 EA |
| HW5100A03 | WAVY WASHER (W1543-017) | 1.000 EA |
| 34EP3212A02 | PU ENDPLATE, MODEL 34 OPEN | 1.000 EA |
| XY1032A02 | 10-32 HEX NUT DIRECTIONAL SERRATION | 4.000 EA |
| 34CB4517 | CB LID 4 MTG HOLES .22 DIA STAMPED, FOR | 1.000 EA |
| 51XW0832A07 | 8-32 X .44, TAPTITE II, HEX WSHR SLTD SE | 4.000 EA |
| HW2501D13 | KEY, 3/16 SQ X 1.375 | 1.000 EA |
| HA7000A04 | KEY RETAINER 0.625 DIA SHAFTS | 1.000 EA |
| MG1000G27 | MED CHARCOAL METALLIC GREY 400-0096 | 0.014 GA |
| 85XU0407S04 | 4X1/4 U DRIVE PIN STAINLESS | 2.000 EA |
| EC1645A06SP | ELEC CAP, 645-774 MFD, 125V, 2.06D X 4. | 1.000 EA |
| SP5056A24 | 34 TYPE L STATIONARY SWITCH W/ LEADS | 1.000 EA |
| 33CB4800A02 | CAPACITOR COVER, STAMPED | 1.000 EA |
| HA3100A38 | THRUBOLT 10-32 X 9.375 | 4.000 EA |

| Parts List (continued) | | |
|-------------------------------|--|-----------------|
| Part Number | Description | Quantity |
| LC0001A01 | CONN LABEL / WARNING LABEL (LC0001 / LB1 | 1.000 EA |
| MN416A01 | TAG-INSTAL-MAINT no wire (1200/bx) 5/18 | 1.000 EA |
| NP1372L | ALUM UL CSA CE CC | 1.000 EA |
| 35PA1000 | PKG GRP, PRINT PK1008A06 | 1.000 EA |

AC Induction Motor Performance Data
Record # 7052 - Typical performance - not guaranteed values

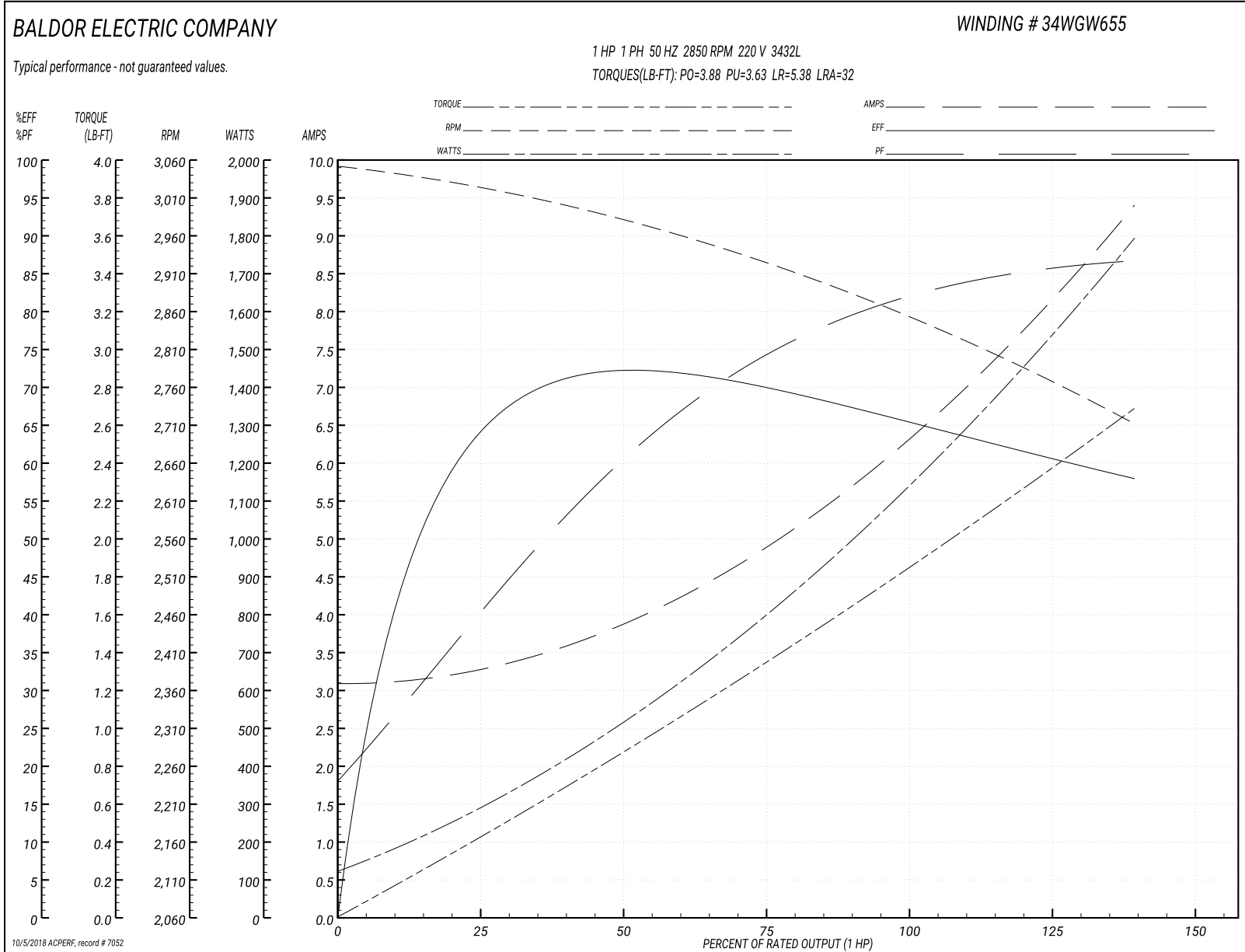
| | | |
|-------------------------------|--------------------|------------------------|
| Winding: 34WGW655-R001 | Type: 3432L | Enclosure: OPEN |
|-------------------------------|--------------------|------------------------|

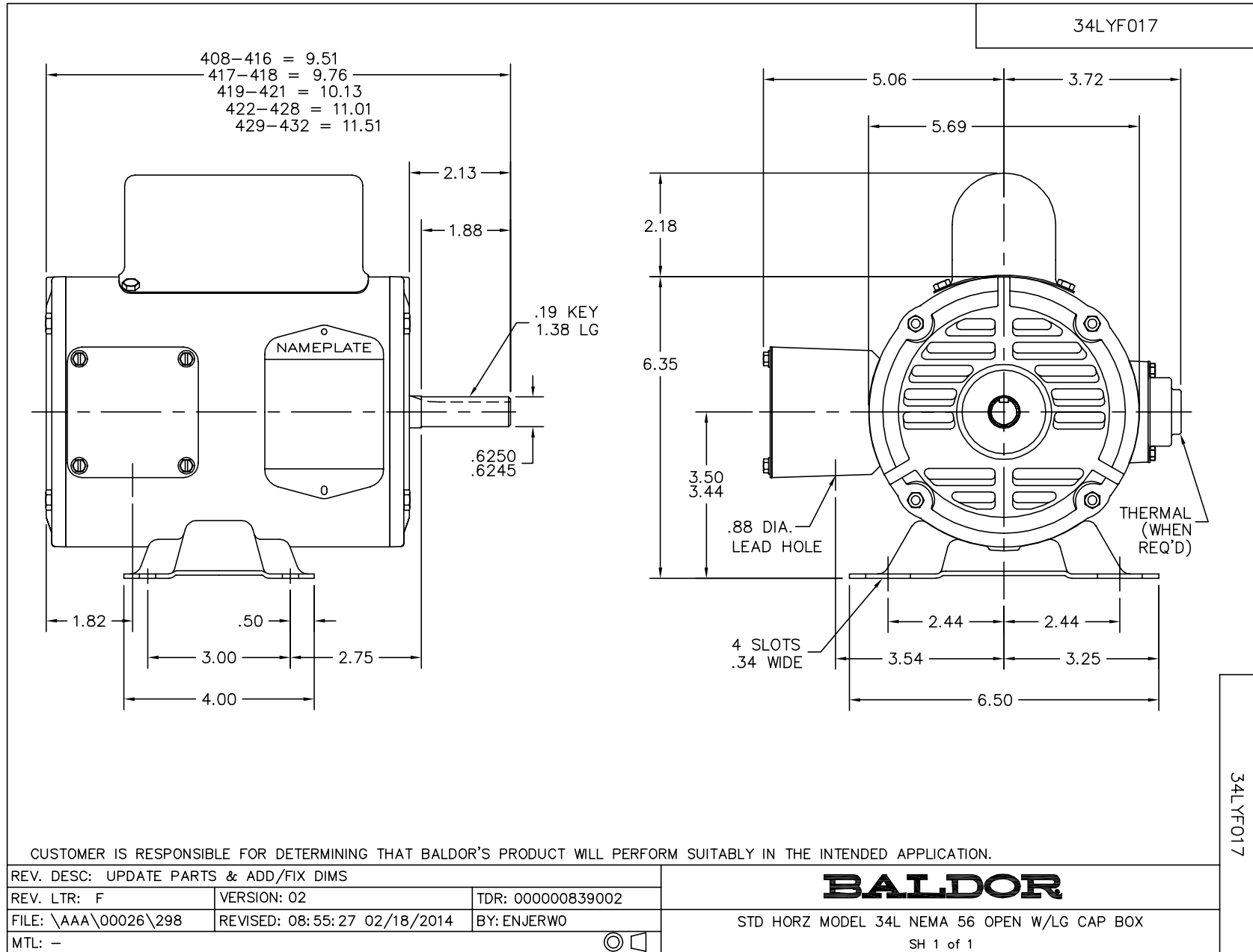
| Nameplate Data | | | | 220 V, 50 Hz: High Voltage Connection | |
|-----------------------|--------------|--------------|----|--|----------------------------|
| Rated Output (HP) | 1 | | | Full Load Torque | 1.8 LB-FT |
| Volts | 110/220 | | | Start Configuration | direct on line |
| Full Load Amps | 12/6 | | | Breakdown Torque | 3.88 LB-FT |
| R.P.M. | 2850 | | | Pull-up Torque | 3.63 LB-FT |
| Hz | 50 | Phase | 1 | Locked-rotor Torque | 5.38 LB-FT |
| NEMA Design Code | N | KVA Code | H | Starting Current | 32 A |
| Service Factor (S.F.) | 1.25 | | | No-load Current | 3 A |
| NEMA Nom. Eff. | 66 | Power Factor | 83 | Line-line Res. @ 25°C | 2.05 Ω A Ph 1.79 Ω B Ph |
| Rating - Duty | 40C AMB-CONT | | | Temp. Rise @ Rated Load | 55°C |
| S.F. Amps | 14.6/7.3 | | | Temp. Rise @ S.F. Load | 82°C |

Load Characteristics 220 V, 50 Hz, 1 HP

| % of Rated Load | 25 | 50 | 75 | 100 | 125 | 150 | S.F. |
|-----------------|------|------|------|------|------|------|------|
| Power Factor | 48 | 66 | 76 | 82 | 85 | 87 | 85 |
| Efficiency | 62 | 69 | 70 | 67 | 63 | 57 | 63 |
| Speed | 3026 | 2986 | 2936 | 2828 | 2803 | 2711 | 2803 |
| Line amperes | 3.4 | 4 | 4.9 | 6 | 7.7 | 9.5 | 7.7 |

Performance Graph at 220V, 50Hz, 1.0HP Typical performance - Not guaranteed values





CD0001



| | | | |
|---|---------|------------------------|--------------|
| REV. DESC: REVISE TO SHOW OPTIONAL COLORS | | | |
| REV. LTR: D | BY: JLP | REVISED: 04/08/99 1:16 | TDR: 0178636 |
| 100000 | | FILE: AAA00007405 | MDL: - |
| | | MTL: - | |

BALDOR ELECTRIC Co.

TYPE L, DV, REV, 6 LEADS

CD0001