

BALDOR® • RELIANCE 

Product Information Packet

L1306-50

.75HP,2850RPM,1PH,50HZ,56,3424L,OPEN,F1

Part Detail							
Revision:	AD	Status:	PRD/A	Change #:		Proprietary:	No
Type:	AC	Elec. Spec:	34WG3413	CD Diagram:	CD0001	Mfg Plant:	
Mech. Spec:	34F017	Layout:	34LYF017	Poles:	02	Created Date:	
Base:	RG	Eff. Date:	02-23-2018	Leads:	6#18		

Specs			
Catalog Number:	L1306-50	Insulation Class:	B
Enclosure:	OPEN	Inverter Code:	Not Inverter
Frame:	56	KVA Code:	K
Frame Material:	Steel	Lifting Lugs:	No Lifting Lugs
Output @ Frequency:	.750 HP @ 50 HZ	Locked Bearing Indicator:	No Locked Bearing
Synchronous Speed @ Frequency:	3000 RPM @ 50 HZ	Motor Lead Quantity/Wire Size:	6 @ 18 AWG
Voltage @ Frequency:	220.0 V @ 50 HZ	Motor Lead Exit:	Ko Box
	110.0 V @ 50 HZ	Motor Lead Termination:	Flying Leads
XP Class and Group:	None	Motor Type:	3424L
XP Division:	Not Applicable	Mounting Arrangement:	F1
Agency Approvals:	UR	Power Factor:	70
	WEEE	Product Family:	General Purpose
	CSA	Pulley End Bearing Type:	Ball
	CE	Pulley Face Code:	Standard
Auxillary Box:	No Auxillary Box	Pulley Shaft Indicator:	Standard
Auxillary Box Lead Termination:	None	Rodent Screen:	None
Base Indicator:	Rigid	RoHS Status:	ROHS COMPLIANT
Bearing Grease Type:	Polyrex EM (-20F +300F)	Shaft Extension Location:	Pulley End

Blower:	None	Shaft Ground Indicator:	No Shaft Grounding
Current @ Voltage:	10.600 A @ 110.0 V	Shaft Rotation:	Reversible
	5.300 A @ 220.0 V	Shaft Slinger Indicator:	No Slinger
Design Code:	N	Speed Code:	Single Speed
Drip Cover:	No Drip Cover	Motor Standards:	NEMA
Duty Rating:	CONT	Starting Method:	Direct on line
Electrically Isolated Bearing:	Not Electrically Isolated	Thermal Device - Bearing:	NONE (OLD)
Feedback Device:	NO FEEDBACK	Thermal Device - Winding:	None
Front Face Code:	Standard	Vibration Sensor Indicator:	No Vibration Sensor
Front Shaft Indicator:	None	Winding Thermal 1:	None
Heater Indicator:	No Heater	Winding Thermal 2:	None

Nameplate NP1372L										
CAT.NO.	L1306-50									
SPEC.	34F17-3413									
HP	.75									
VOLTS	110/220									
AMP	10.6/5.3									
RPM	2850 IP23									
FRAME	56				HZ	50			PH	1
SER.F.	1.25		CODE	K	DES	N		CL	B	
NEMA-NOM-EFF	64		PF	70						
RATING	40C AMB-CONT									
CC									USABLE AT 208V	
DE	6203				ODE	6203				
ENCL	OPEN		SN							
	SFA 13/6.5									

Parts List		
Part Number	Description	Quantity
SA010012	SA 34F17-3413	1.000 EA
RA006457	RA 34F17-3413	1.000 EA
NS2512A01	INSULATOR, CONDUIT BOX X	1.000 EA
34CB3002A	CB CAST W/.88 DIA HOLE	1.000 EA
51XB1016A07	10-16 X 7/16 HXWSSLD SERTYB	2.000 EA
11XW1032G06	10-32 X .38, TAPTITE II, HEX WSHR SLTD U	1.000 EA
34EP3210A01SP	FR ENDPLATE, MACH	1.000 EA
51XW0832A07	8-32 X .44, TAPTITE II, HEX WSHR SLTD SE	2.000 EA
SP1006A01	TERM. BOARD, MODE 35 SW X H-23655	1.000 EA
51XB1016A05	10-16X5/16HX WA SL SR TYB (F/S)	2.000 EA
WD1000A16	2-520128-2 AMP FLAG TERMINAL(4M/RL)	1.000 EA
HW5100A03	WAVY WASHER (W1543-017)	1.000 EA
34EP3212A02	PU ENDPLATE, MODEL 34 OPEN	1.000 EA
XY1032A02	10-32 HEX NUT DIRECTIONAL SERRATION	4.000 EA
34CB4517	CB LID 4 MTG HOLES .22 DIA STAMPED, FOR	1.000 EA
51XW0832A07	8-32 X .44, TAPTITE II, HEX WSHR SLTD SE	4.000 EA
HW2501D13	KEY, 3/16 SQ X 1.375	1.000 EA
HA7000A04	KEY RETAINER 0.625 DIA SHAFTS	1.000 EA
MG1000G27	MED CHARCOAL METALLIC GREY 400-0096	0.014 GA
85XU0407S04	4X1/4 U DRIVE PIN STAINLESS	2.000 EA
EC1400A03SP	ELEC CAP, 400-480 MFD, 125V, 1.81D X 3.	1.000 EA
SP5056A24	34 TYPE L STATIONARY SWITCH W/ LEADS	1.000 EA
33CB4800A02	CAPACITOR COVER, STAMPED	1.000 EA
HA3100A45	THRUBOLT 10-32 X 8.875	4.000 EA

Parts List (continued)		
Part Number	Description	Quantity
LC0001	CONN LABEL TYPE L, 6 LEAD, DUAL VOLTS, R	1.000 EA
LB1119N	WARNING LABEL	1.000 EA
MN416A01	TAG-INSTAL-MAINT no wire (1200/bx) 5/18	1.000 EA
NP1372L	ALUM UL CSA CE CC	1.000 EA
35PA1000	PKG GRP, PRINT PK1008A06	1.000 EA

AC Induction Motor Performance Data
Record # 6686 - Typical performance - not guaranteed values

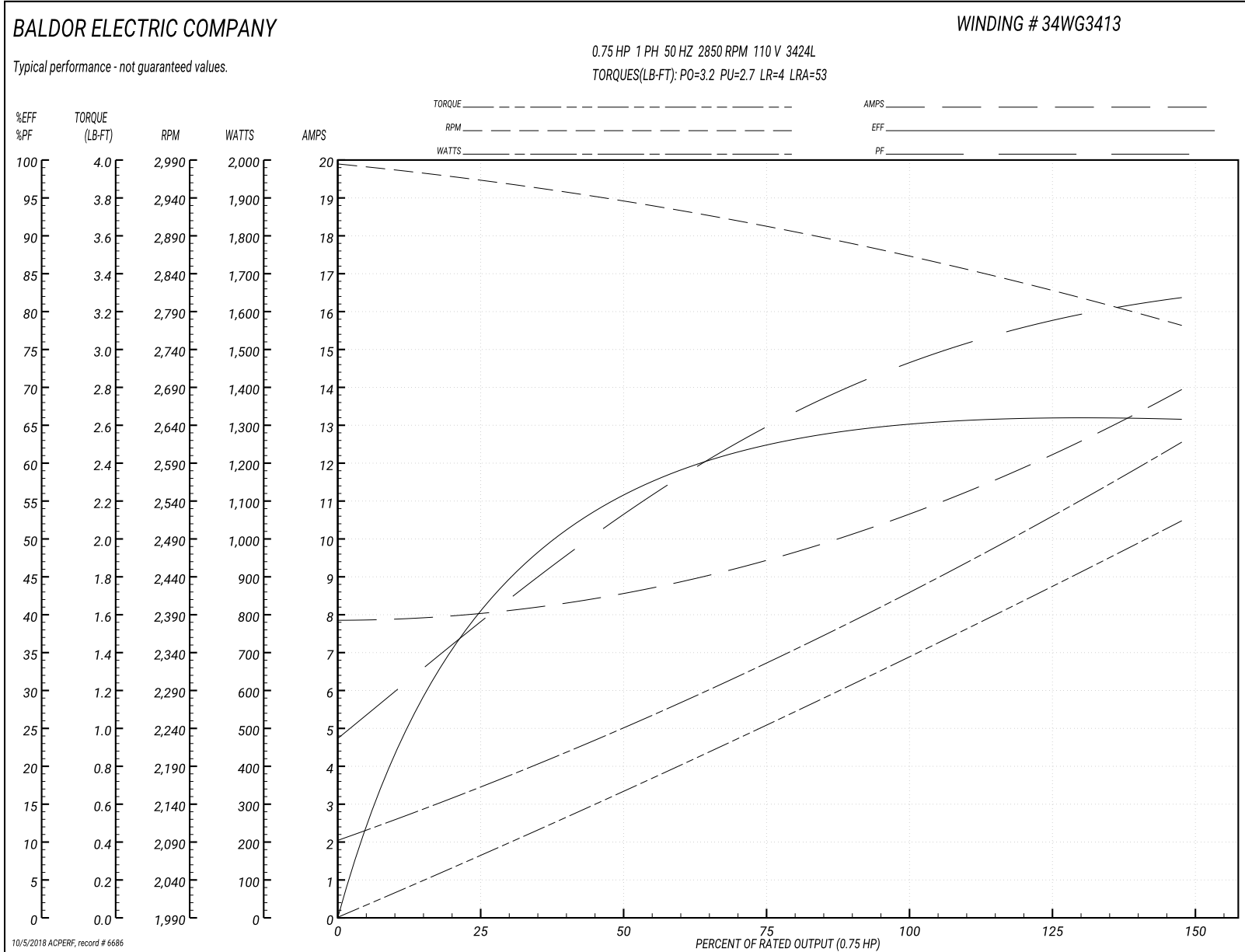
Winding: 34WG3413-R001	Type: 3424L	Enclosure: OPEN
-------------------------------	--------------------	------------------------

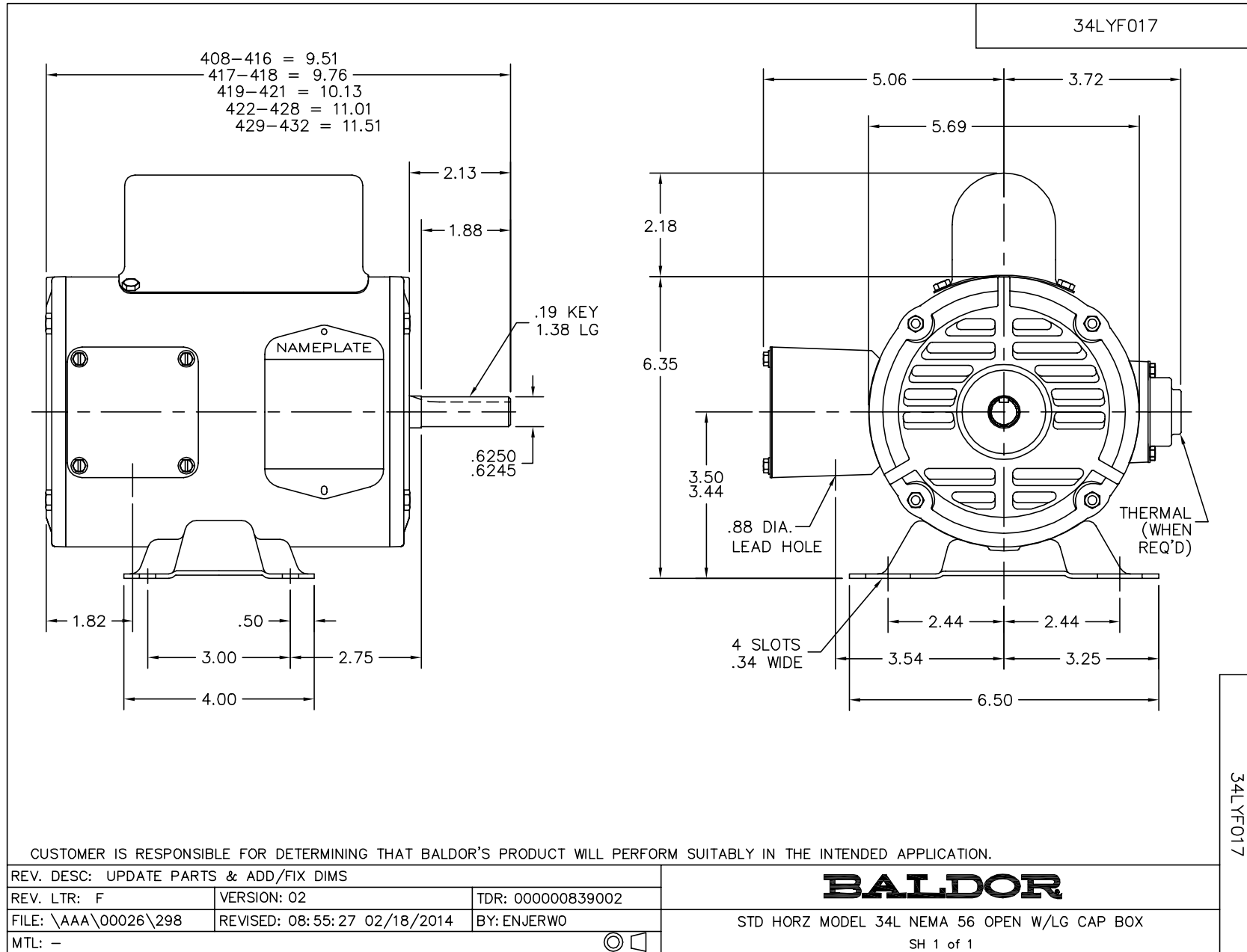
Nameplate Data				110 V, 50 Hz: Low Voltage Connection	
Rated Output (HP)	.75			Full Load Torque	1.4 LB-FT
Volts	110/220			Start Configuration	direct on line
Full Load Amps	10.6/5.3			Breakdown Torque	3.2 LB-FT
R.P.M.	2850			Pull-up Torque	2.7 LB-FT
Hz	50	Phase	1	Locked-rotor Torque	4 LB-FT
NEMA Design Code	N	KVA Code	K	Starting Current	53 A
Service Factor (S.F.)	1.25			No-load Current	7.8 A
NEMA Nom. Eff.	64	Power Factor	70	Line-line Res. @ 25°C	0.652 Ω A Ph 2.41 Ω B Ph
Rating - Duty	40C AMB-CONT			Temp. Rise @ Rated Load	68°C
S.F. Amps	13/6.5			Temp. Rise @ S.F. Load	84°C

Load Characteristics 110 V, 50 Hz, 0.75 HP

% of Rated Load	25	50	75	100	125	150	S.F.
Power Factor	39	53	64	72	79	83	0
Efficiency	40.6	55.9	62.8	65.8	66.4	65.4	0
Speed	2960	2931	2899	2863	2820	2769	0
Line amperes	8.1	8.7	9.5	10.7	12.2	14	12.2

Performance Graph at 110V, 50Hz, 0.75HP Typical performance - Not guaranteed values





CD0001



NOTES:

1. STANDARD ROTATION IS CCW FACING END OPPOSITE SHAFT EXTENSION.
2. OPTIONAL THERMOSTAT IS PROVIDED WHEN SPECIFIED.
3. MULTIPLE CAPACITORS ARE CONNECTED IN PARALLEL UNLESS OTHERWISE SPECIFIED.
4. LEAD COLORS ARE OPTIONAL. LEADS MUST ALWAYS BE NUMBERED AS SHOWN.

REV. DESC: REVISE TO SHOW OPTIONAL COLORS			
REV. LTR: D	BY: JLP	REVISED: 04/08/99 1:16	TDR: 0178636
100000		FILE: AAA00007405	MDL: -
		MTL: -	

BALDOR ELECTRIC Co.

TYPE L, DV, REV, 6 LEADS

CD0001