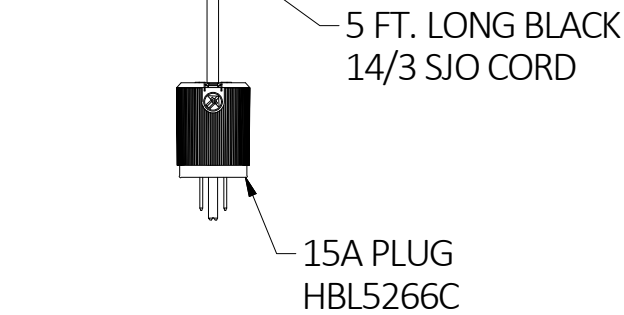
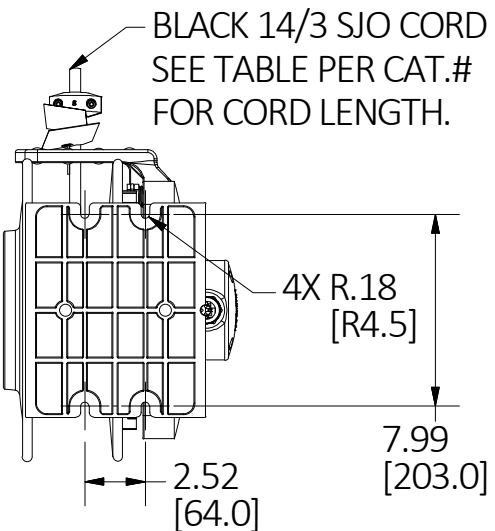
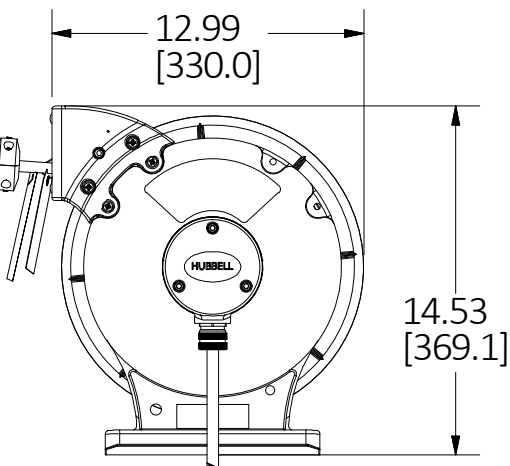


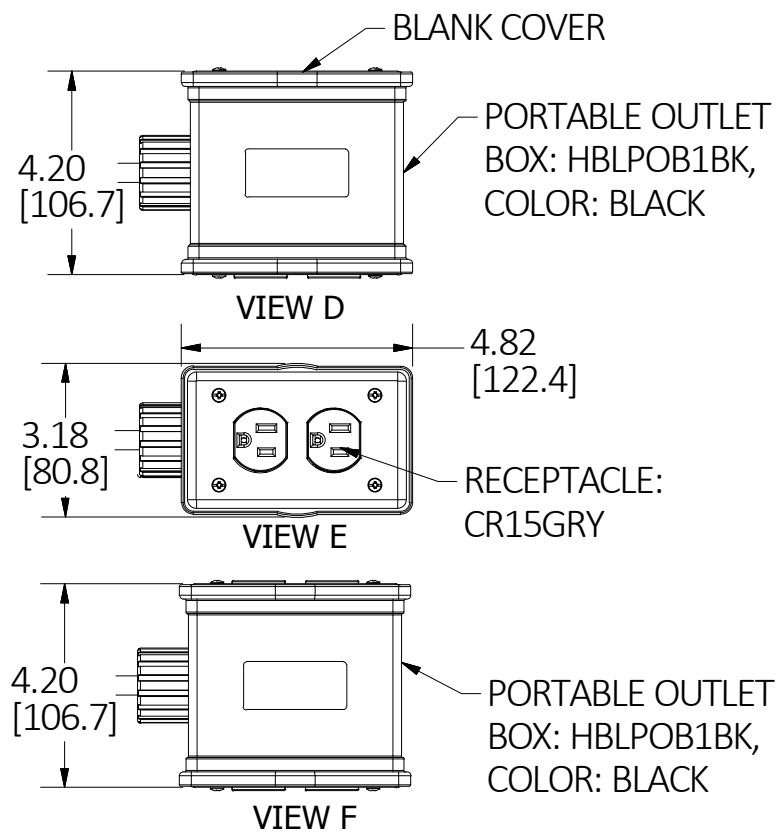
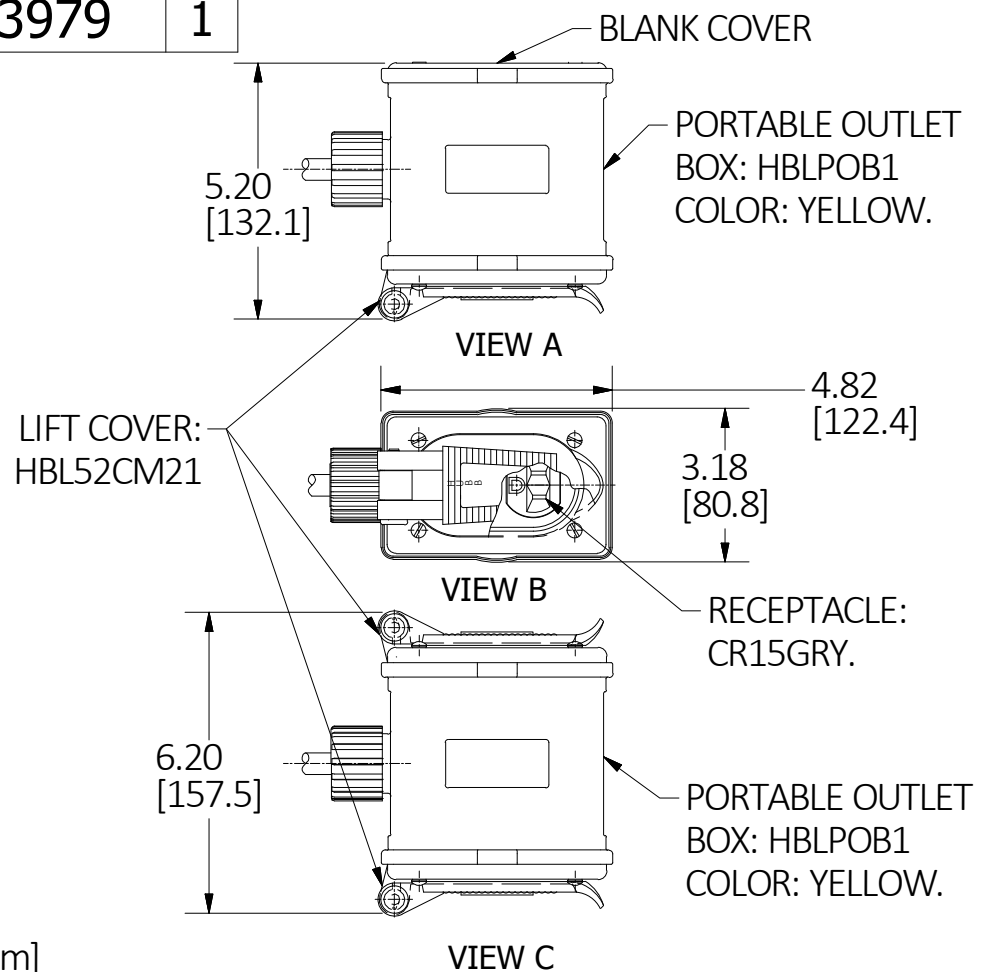
CORD ENDS CONFIG.  
PER CAT.# SEE TABLE



NOTES:  
1. DIMENSIONS ARE IN INCHES [mm]  
EXCEPT CORD LENGTH IN FEET.

M-13979

1



LIST OF PARTS		
DESCRIPTION	MATERIAL	FINISH
SPOOL WITH RATCHET	ALUMINIUM	POWDER COATING
SPOOL	ALUMINIUM	POWDER COATING
WIRING CHAMBER COVER	ALUMINIUM	POWDER COATING
SPRING BOX COVER	STEEL	ZINC PLATE
CLOCKWORK SPRING	SPRING STEEL	
GUIDE ARM	ALUMINIUM	POWDER COATING
GUIDE FRAME	THERMOPLASTIC	BLACK
HARDWARE	STEEL	ZINC PLATE
SPINDLE	STEEL	ZINC PLATE
CORD	COPPER	
BALL STOPPER	THERMOPLASTIC	BLACK
INTERNAL TERMINALS	COPPER ALLOY	
FITTING	ALUMINIUM	

CATALOG	DESCRIPTION	CONFIG. TOP VIEW	CONFIG. SIDE VIEW	RATING	CORD LENGTH	REEL COLOR	APPROX. WEIGHT
HBLI45143R15	REEL W/ (1) DPLX, LIFT COVER, 45'	B	A	15A 125V	45 FT.	WHITE	24 LB [10.9KG]
HBLI35143R15	REEL W/ (1) DPLX, LIFT COVER, 35'	B	A	15A 125V	35 FT.	WHITE	22.9 LB [10.4KG]
HBLI25143R15	REEL W/ (1) DPLX, LIFT COVER, 25'	B	A	15A 125V	25 FT.	WHITE	21.8 LB [9.9KG]
HBLI45143R15M1	REEL W/ (1) DPLX, PLATE COVER, 45'	E	D	15A 125V	45 FT.	WHITE	24 LB [10.9KG]
HBLI35143R15M1	REEL W/ (1) DPLX, PLATE COVER, 35'	E	D	15A 125V	35 FT.	WHITE	22.9 LB [10.4KG]
HBLI25143R15M1	REEL W/ (1) DPLX, PLATE COVER, 25'	E	D	15A 125V	25 FT.	WHITE	21.8 LB [9.9KG]
HBLI45143R215	REEL W/ (2) DPLX, LIFT COVER, 45'	B	C	15A 125V	45 FT.	WHITE	24 LB [10.9KG]
HBLI35143R215	REEL W/ (2) DPLX, LIFT COVER, 35'	B	C	15A 125V	35 FT.	WHITE	22.9 LB [10.4KG]
HBLI25143R215	REEL W/ (2) DPLX, LIFT COVER, 25'	B	C	15A 125V	25 FT.	WHITE	21.8 LB [9.9KG]
HBLI45143R215M1	REEL W/ (2) DPLX, PLATE COVER, 45'	E	F	15A 125V	45 FT.	WHITE	24 LB [10.9KG]
HBLI35143R215M1	REEL W/ (2) DPLX, PLATE COVER, 35'	E	F	15A 125V	35 FT.	WHITE	22.9 LB [10.4KG]
HBLI25143R215M1	REEL W/ (2) DPLX, PLATE COVER, 25'	E	F	15A 125V	25 FT.	WHITE	21.8 LB [9.9KG]
HBLI45143R15Y	YL REEL W/ (1) DPLX, LIFT COVER, 45'	B	A	15A 125V	45 FT.	YELLOW	24 LB [10.9KG]
HBLI35143R15Y	YL REEL W/ (1) DPLX, LIFT COVER, 35'	B	A	15A 125V	35 FT.	YELLOW	22.9 LB [10.4KG]
HBLI25143R15Y	YL REEL W/ (1) DPLX, LIFT COVER, 25'	B	A	15A 125V	25 FT.	YELLOW	21.8 LB [9.9KG]
HBLI45143R15M1Y	YL REEL W/ (1) DPLX, PLATE COVER, 45'	E	D	15A 125V	45 FT.	YELLOW	24 LB [10.9KG]
HBLI35143R15M1Y	YL REEL W/ (1) DPLX, PLATE COVER, 35'	E	D	15A 125V	35 FT.	YELLOW	22.9 LB [10.4KG]
HBLI25143R15M1Y	YL REEL W/ (1) DPLX, PLATE COVER, 25'	E	D	15A 125V	25 FT.	YELLOW	21.8 LB [9.9KG]
HBLI45143R215Y	YL REEL W/ (2) DPLX, LIFT COVER, 45'	B	C	15A 125V	45 FT.	YELLOW	24 LB [10.9KG]
HBLI35143R215Y	YL REEL W/ (2) DPLX, LIFT COVER, 35'	B	C	15A 125V	35 FT.	YELLOW	22.9 LB [10.4KG]
HBLI25143R215Y	YL REEL W/ (2) DPLX, LIFT COVER, 25'	B	C	15A 125V	25 FT.	YELLOW	21.8 LB [9.9KG]
HBLI45143R215M1Y	YL REEL W/ (2) DPLX, PLATE COVER, 45'	E	F	15A 125V	45 FT.	YELLOW	24 LB [10.9KG]
HBLI35143R215M1Y	YL REEL W/ (2) DPLX, PLATE COVER, 35'	E	F	15A 125V	35 FT.	YELLOW	22.9 LB [10.4KG]
HBLI25143R215M1Y	YL REEL W/ (2) DPLX, PLATE COVER, 25'	E	F	15A 125V	25 FT.	YELLOW	21.8 LB [9.9KG]

1	NEW RELEASE PER DCN #24214. D.LI		8/7/2018
REV	DESCRIPTION	APP	DATE

THE DESIGN AND DIMENSIONS OF THE PRODUCT SHOWN ON THIS DRAWING ARE SUBJECT TO CHANGE WITHOUT NOTICE. DIMENSIONS ARE IN INCHES [mm].

TITLE  
REEL WITH PORTABLE OUTLET BOX & 15A DUPLEX RCPT, UL TYPE 1

		WIRING DEVICE-KELLEMS HUBBELL INCORPORATED SHELTON, CT	
TOLERANCES UNLESS OTHERWISE SPECIFIED .XX = ±.01 .XXX = ±.005 ANGLE TOL. ±2°	DR. BY D. LI CHK. BY	SCALE NONE DATE 8/6/2018	<b>1</b>

CAGE CODE 74545

DIMENSION SHEET FOR CAT. NO. **M-13979** SEE TABLE