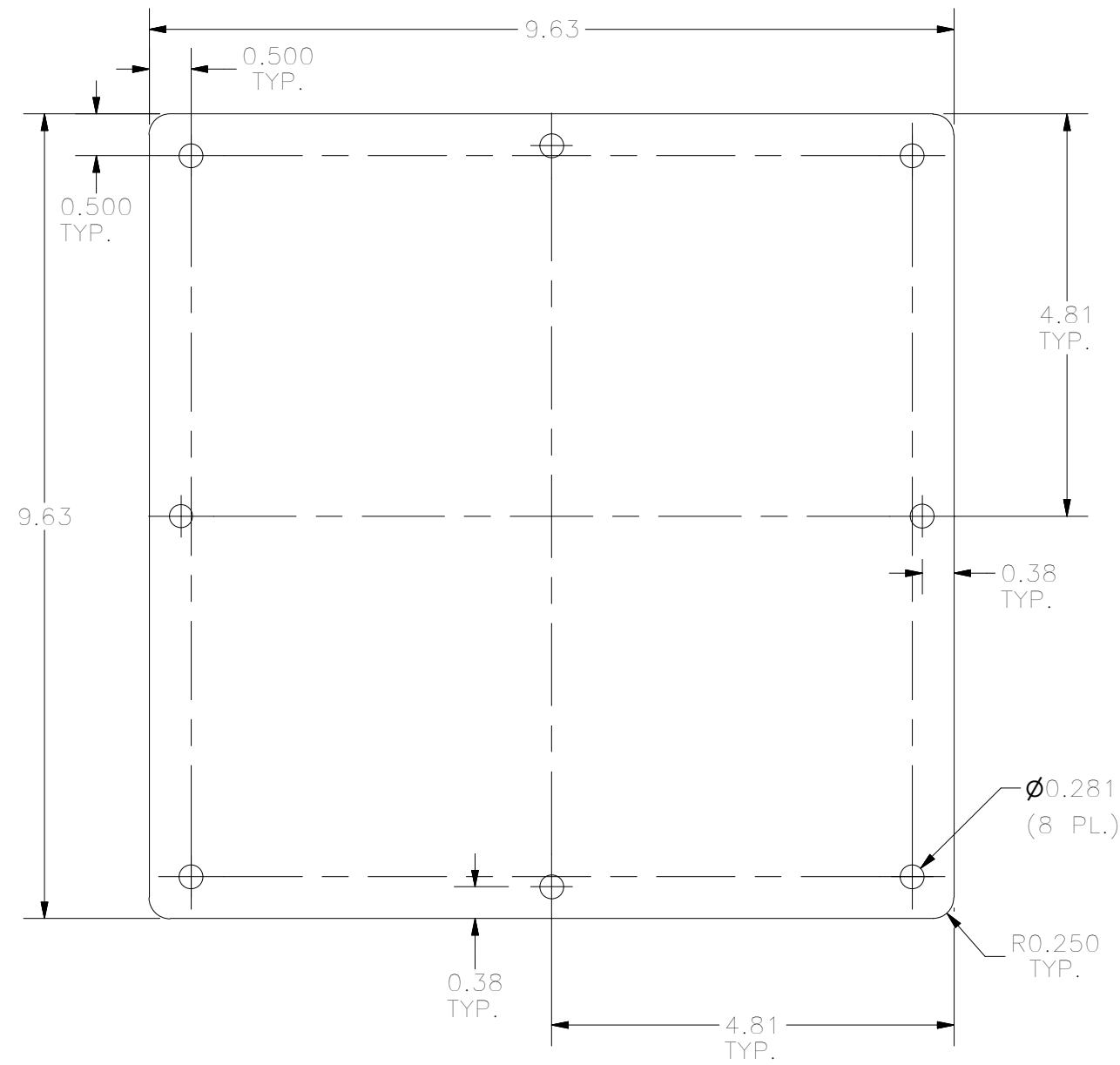
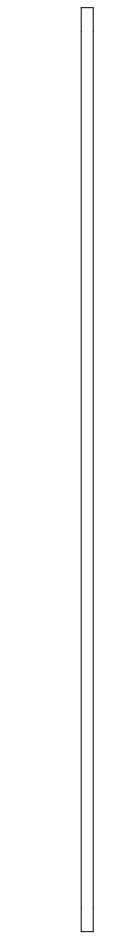


REVISION HISTORY			
REV	DESCRIPTION	BY	DATE
-			

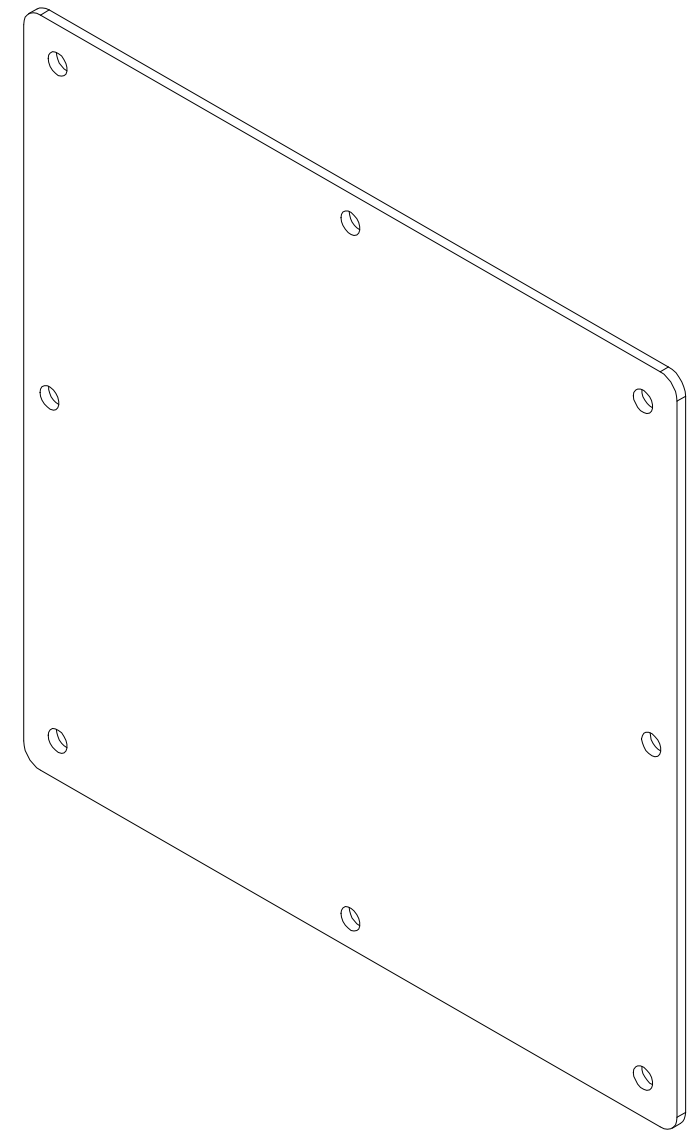


CLOSE PLATE FLAT PATTERN VIEW

10 G.A.  
C.R.S.  
(0.125)



SIDE VIEW



PART#: JWE8  
(DATA SUBJECT TO CHANGE WITHOUT NOTICE)

THIS DRAWING IS PROPERTY OF HUBBELL INC. WIEGMANN  
ALL INFORMATION IS PROPRIETARY AND NOT TO BE DUPLICATED

NOTES:  
1. FABRICATED FROM 10 GA. C.R.S.