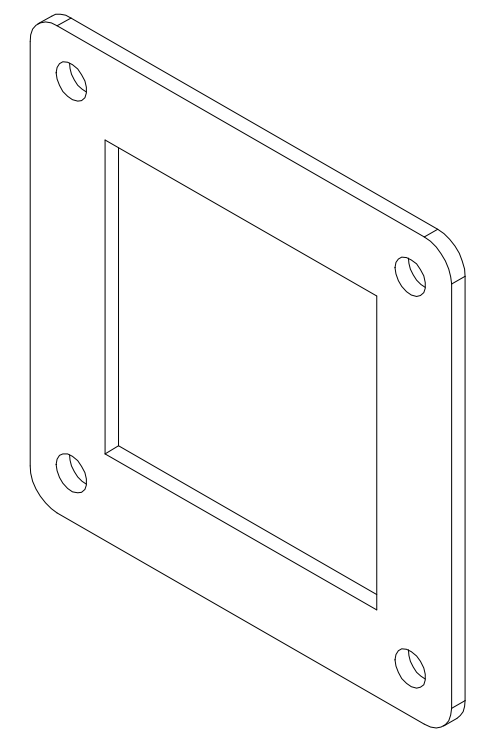
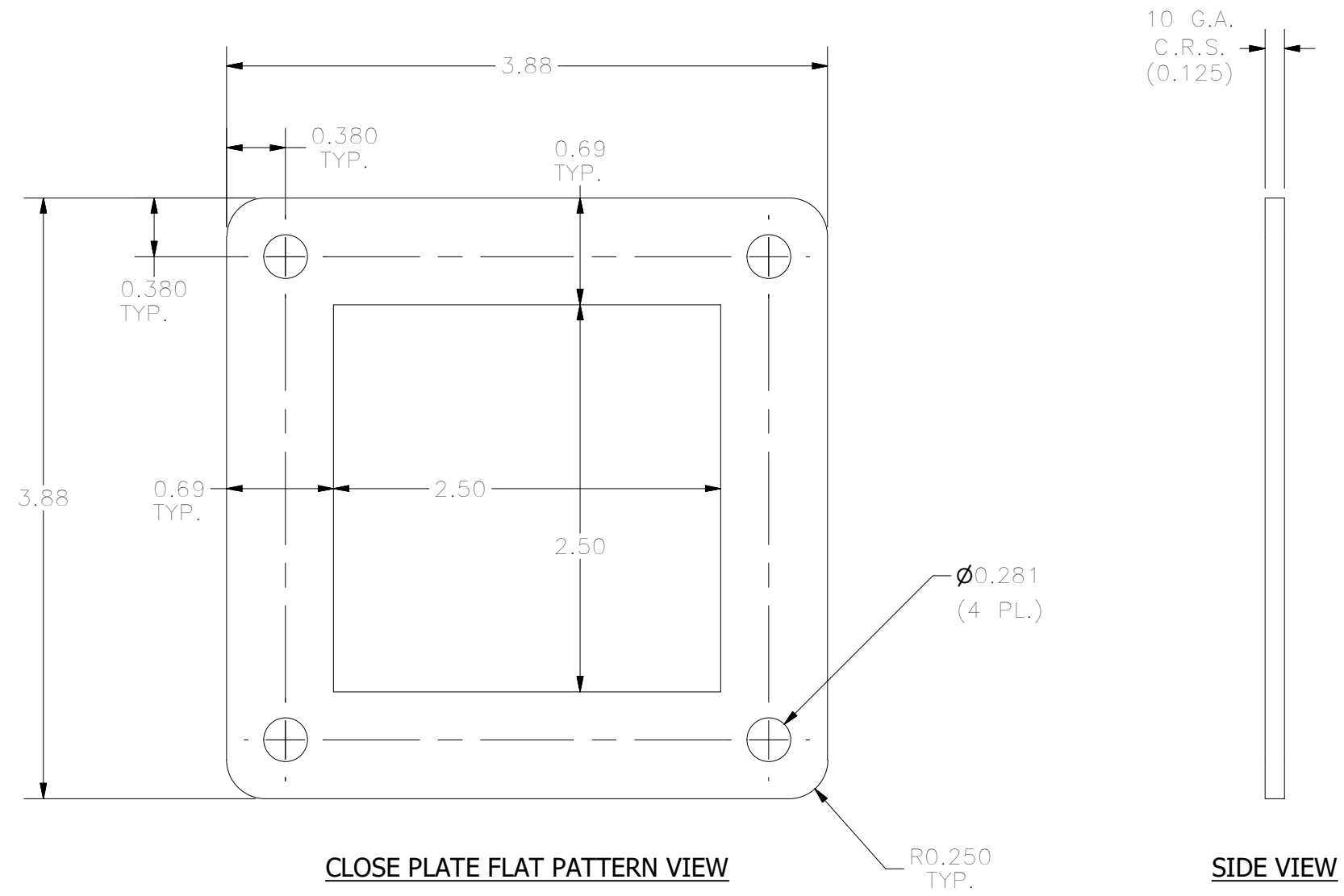


REVISION HISTORY			
REV	DESCRIPTION	BY	DATE
-			



PART#: JWA2
(DATA SUBJECT TO CHANGE WITHOUT NOTICE)

THIS DRAWING IS PROPERTY OF HUBBELL INC. WIEGMANN
ALL INFORMATION IS PROPRIETARY AND NOT TO BE DUPLICATED

- NOTES:
1. FABRICATED FROM 10 GA C.R.S.
 2. FINISH: ANSI-61 GRAY TEXTURE POLYESTER POWDER.
 3. (1) SET OF MTG. HARDWARE AND A RING GASKET ARE PACKAGED AND SHIPPED WITH FITTING