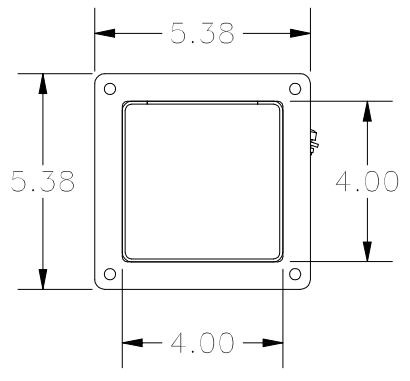
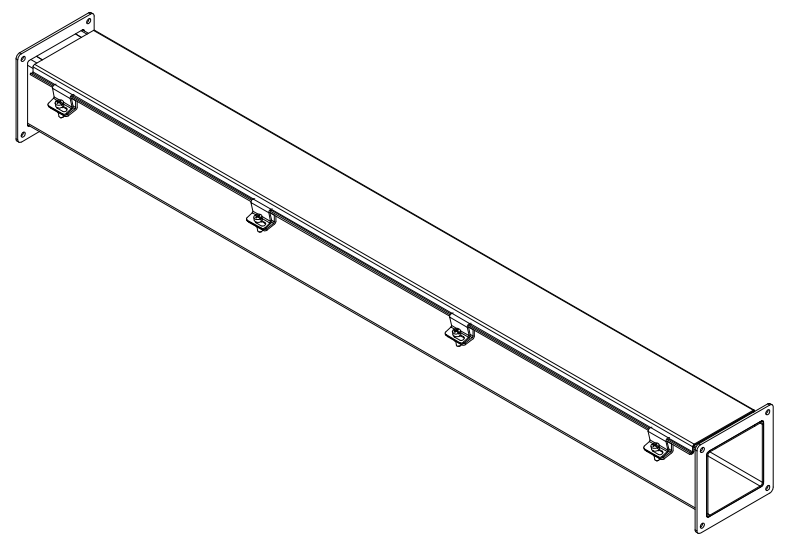
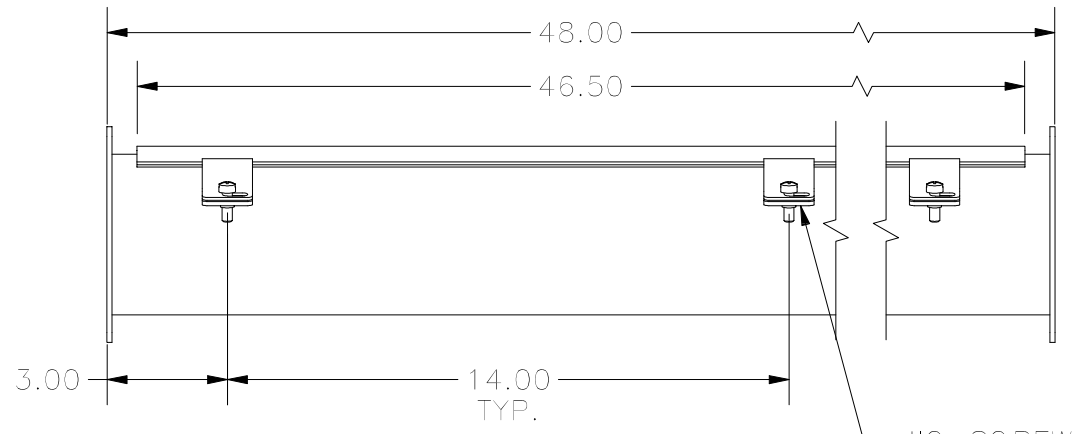


TOP VIEW

0.125

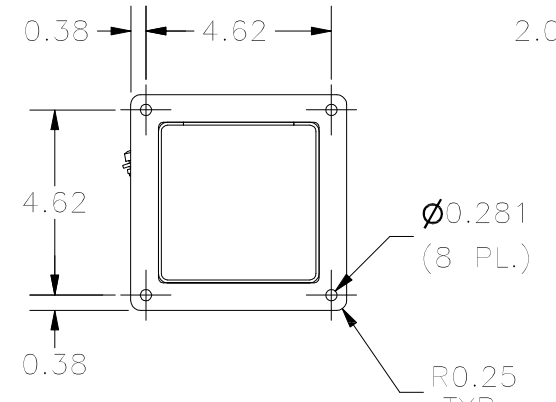


LEFT SIDE VIEW

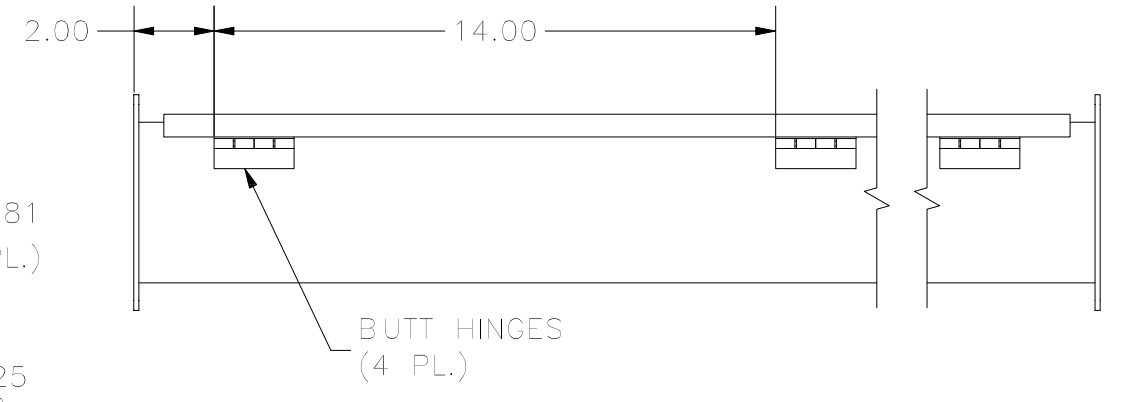


FRONT VIEW

JIC SCREW
CLAMPS
(4 PL.)

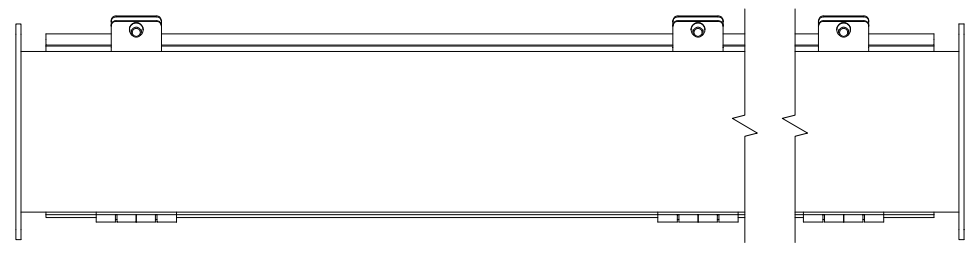


RIGHT SIDE VIEW



BACK VIEW

BUTT HINGES
(4 PL.)



BOTTOM VIEW

PART#: JW44
(DATA SUBJECT TO CHANGE
WITHOUT NOTICE)

THIS DRAWING IS PROPERTY OF HUBBELL INC.
WIEGMANN
ALL INFORMATION IS PROPRIETARY AND NOT TO BE
DUPLICATED