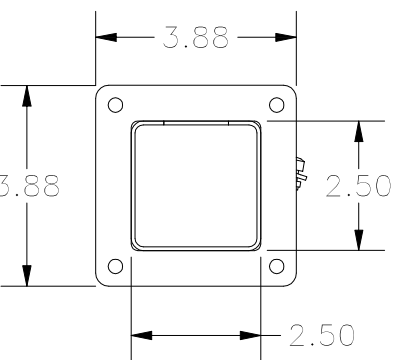
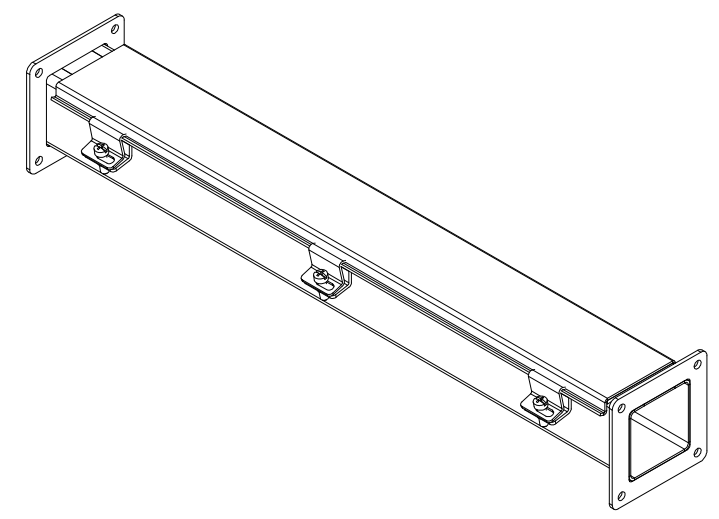
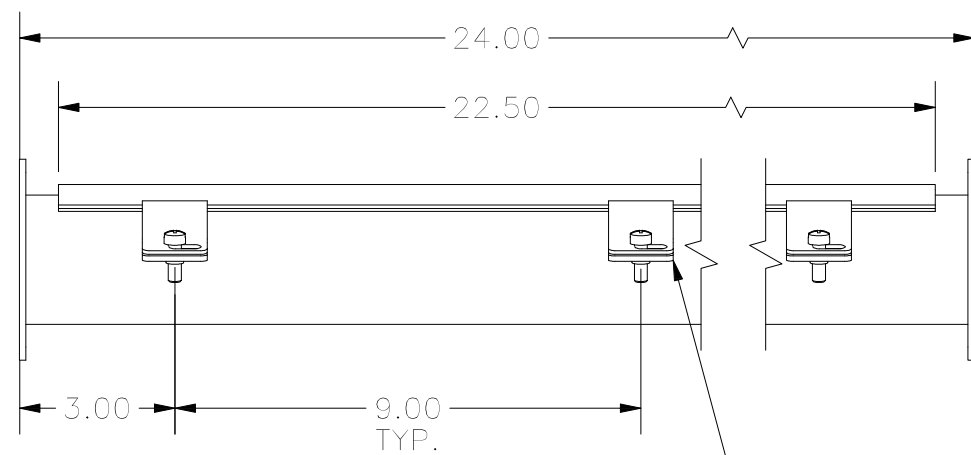


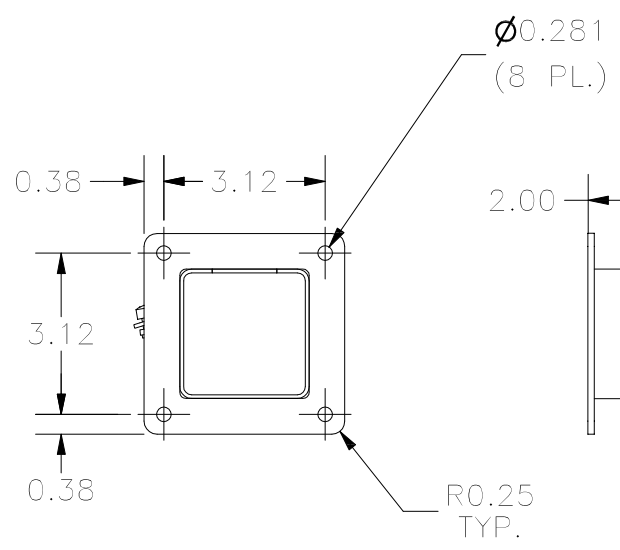
**TOP VIEW**



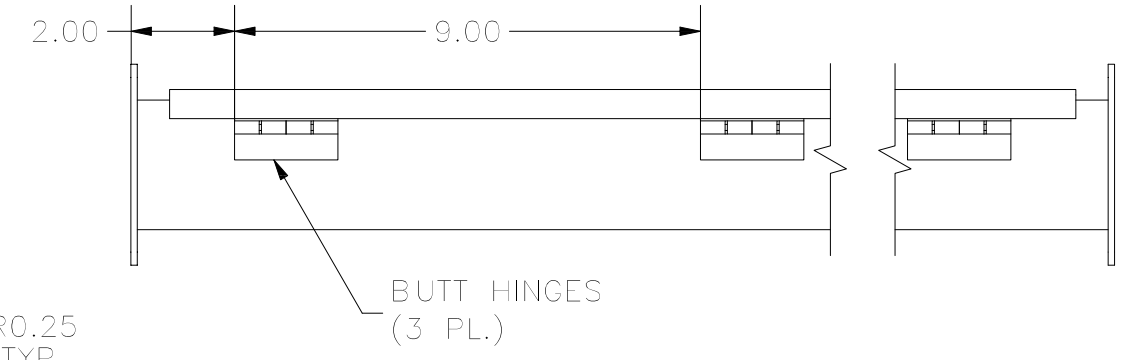
**LEFT SIDE VIEW**



**FRONT VIEW**

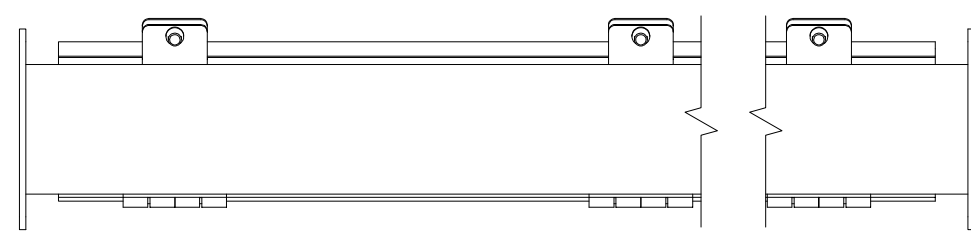


**RIGHT SIDE VIEW**



**BACK VIEW**

JIC SCREW  
CLAMPS  
(3 PL.)



**BOTTOM VIEW**

PART#: JW22  
(DATA SUBJECT TO CHANGE  
WITHOUT NOTICE)

THIS DRAWING IS PROPERTY OF HUBBELL INC.  
WIEGMANN  
ALL INFORMATION IS PROPRIETARY AND NOT TO BE  
DUPLICATED