

BALDOR® • RELIANCE 

Product Information Packet

JL3506A

.75HP,3450RPM,1PH,60HZ,56J,3424L,TEFC,F1

Part Detail							
Revision:	V	Status:	PRD/A	Change #:		Proprietary:	No
Type:	AC	Elec. Spec:	34WG3155	CD Diagram:	CD0094	Mfg Plant:	
Mech. Spec:	34-3099	Layout:	34LY3099	Poles:	02	Created Date:	
Base:	N	Eff. Date:	05-22-2018	Leads:	4#18,1#14 #4TH		Y

Specs			
Catalog Number:	JL3506A	Inverter Code:	Not Inverter
Enclosure:	TEFC	KVA Code:	K
Frame:	56J	Lifting Lugs:	No Lifting Lugs
Frame Material:	Steel	Locked Bearing Indicator:	Locked Bearing
Output @ Frequency:	.750 HP @ 60 HZ	Motor Lead Quantity/Wire Size:	4 @ 18 AWG
Synchronous Speed @ Frequency:	3600 RPM @ 60 HZ	Motor Lead Exit:	Ko Box
Voltage @ Frequency:	230.0 V @ 60 HZ	Motor Lead Termination:	Flying Leads
	115.0 V @ 60 HZ	Motor Type:	3424L
XP Class and Group:	None	Mounting Arrangement:	F1
XP Division:	Not Applicable	Power Factor:	66
Agency Approvals:	CSA	Product Family:	General Purpose
	UR	Pulley End Bearing Type:	Ball
Auxillary Box:	No Auxillary Box	Pulley Face Code:	C-Face
Auxillary Box Lead Termination:	None	Pulley Shaft Indicator:	Ext Thread
Base Indicator:	No Mounting	Rodent Screen:	None
Bearing Grease Type:	Polyrex EM (-20F +300F)	RoHS Status:	ROHS COMPLIANT
Blower:	None	Shaft Extension Location:	Pulley End
Current @ Voltage:	10.800 A @ 115.0 V	Shaft Ground Indicator:	No Shaft Grounding

	5.400 A @ 230.0 V	Shaft Rotation:	Fixed Opposite Standard
	7.000 A @ 208.0 V	Shaft Slinger Indicator:	No Slinger
Design Code:	N	Speed Code:	Single Speed
Drip Cover:	No Drip Cover	Motor Standards:	NEMA
Duty Rating:	CONT	Starting Method:	Direct on line
Electrically Isolated Bearing:	Not Electrically Isolated	Thermal Device - Bearing:	None
Feedback Device:	NO FEEDBACK	Thermal Device - Winding:	None
Front Face Code:	Standard	Vibration Sensor Indicator:	No Vibration Sensor
Front Shaft Indicator:	None	Winding Thermal 1:	Automatic Thermal Overload
Heater Indicator:	No Heater	Winding Thermal 1 Location:	SB
Insulation Class:	B	Winding Thermal 2:	None

Nameplate NP1257L	
CAT.NO.	JL3506A
SPEC.	34-3099-3155G1
HP	.75
VOLTS	115/230
AMP	10.8/5.4
RPM	3450
FRAME	56J
SER.F.	1.50
NEMA-NOM-EFF	66
RATING	40C AMB-CONT
CC	
DE	6203
ENCL	TEFC
	SFA 13.4/6.7
CODE	K
DES	N
CL	B
PF	66
ODE	6203
SN	
HZ	60
PH	1
USABLE AT 208V	N/A

Parts List		
Part Number	Description	Quantity
SA018266	SA 34-3099-3155G1	1.000 EA
RA014419	RA 34-3099-3155G1	1.000 EA
NS2512A01	INSULATOR, CONDUIT BOX X	1.000 EA
34CB3002A	CB CAST W/.88 DIA HOLE	1.000 EA
34GS1029A01	GASKET, CONDUIT BOX	1.000 EA
51XB1016A07	10-16 X 7/16 HXWSSLD SERTYB	2.000 EA
11XW1032G06	10-32 X .38, TAPTITE II, HEX WSHR SLTD U	1.000 EA
51XW0832A07	8-32 X .44, TAPTITE II, HEX WSHR SLTD SE	2.000 EA
34EP3102A01SP	FR ENDPLATE, MACH	1.000 EA
NS2500A01	INSULATOR, AUTO THER PROT	1.000 EA
34CB4800SP	CAPACITOR COVER, STAMPED PRIMED	1.000 EA
34GS3000SP	GASKET, CAPACITOR BOX	1.000 EA
51XB1016A05	10-16X5/16HX WA SL SR TYB (F/S)	2.000 EA
HW5100A03	WAVY WASHER (W1543-017)	1.000 EA
34EP3300A24SP	PU ENDPLATE, MACH	1.000 EA
51XN1032A20	10-32 X 1 1/4 HX WS SL SR	2.000 EA
34FN3002A01SP	EXTERNAL FAN, PLASTIC, .637/.639 HUB W/	1.000 EA
34FH4002A03SP	IEC FH NO GREASER W/.88 DIA SHAFT HOLE,	1.000 EA
51XW1032A06	10-32 X .38, TAPTITE II, HEX WSHR SLTD S	3.000 EA
WD4100A81	CAPLUG BPF-7/8, FOR .86-.88 HOLE	1.000 EA
34CB4517	CB LID 4 MTG HOLES .22 DIA STAMPED, FOR	1.000 EA
34GS1031A01	GASKET, FLAT CONDUIT BOX LID (LEXIDE)	1.000 EA
51XW0832A07	8-32 X .44, TAPTITE II, HEX WSHR SLTD SE	4.000 EA
MG1000G27	MED CHARCOAL METALLIC GREY 400-0096	0.014 GA

Parts List (continued)		
Part Number	Description	Quantity
85XU0407S04	4X1/4 U DRIVE PIN STAINLESS	2.000 EA
EC1270A02SP	ELEC CAP, 270-324 MFD, 125V, 1.48D X 3.	1.000 EA
SP5056A79	MODEL 34 TYPE L STATIONARY SWITCH WITH L	1.000 EA
HA3100A15	THRUBOLT 10-32 X 8.375	4.000 EA
MN416A01	TAG-INSTAL-MAINT no wire (1200/bx) 5/18	1.000 EA
LB1118	LABEL,WARNING (ROLL LABEL)	1.000 EA
LC0031	CONNECTION LABEL	1.000 EA
NP1257L	ALUM UL CSA CC THERMAL REV MTG	1.000 EA
35PA1000	PKG GRP, PRINT PK1008A06	1.000 EA
PK3083T	STYROFOAM PACKING CRADLE	1.000 EA
PK3088	MICROFOAM, 8"X"8 PERF. SHEETS 5,400/RL	1.000 EA

Accessories		
Part Number	Description	Multiplier
34-171	C FACE KIT	A8

AC Induction Motor Performance Data
Record # 6663 - Typical performance - not guaranteed values

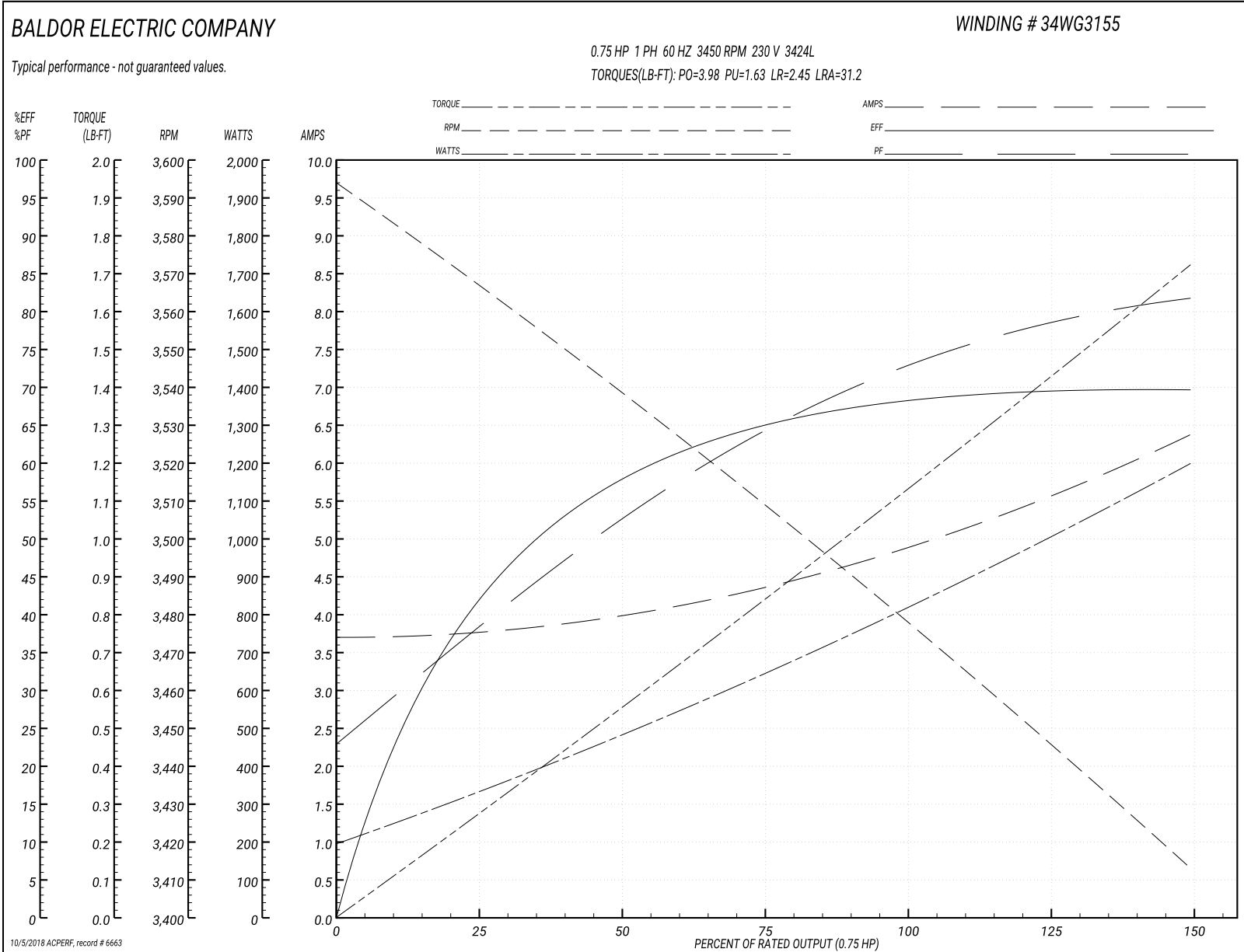
Winding: 34WG3155-R001	Type: 3424L	Enclosure: TEFC
-------------------------------	--------------------	------------------------

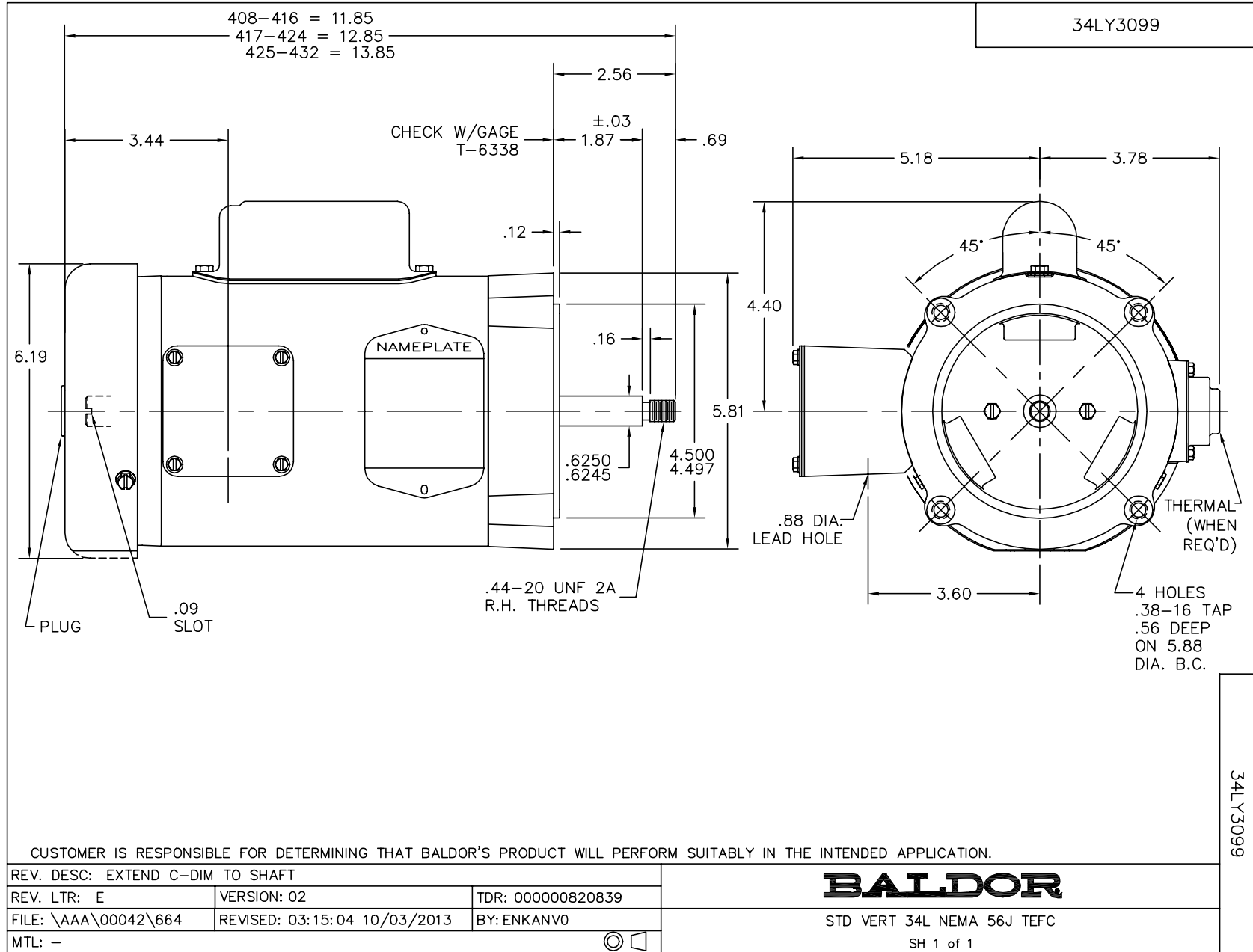
Nameplate Data				230 V, 60 Hz: High Voltage Connection	
Rated Output (HP)	.75			Full Load Torque	1.15 LB-FT
Volts	115/230			Start Configuration	direct on line
Full Load Amps	10.8/5.4			Breakdown Torque	3.98 LB-FT
R.P.M.	3450			Pull-up Torque	1.63 LB-FT
Hz	60	Phase	1	Locked-rotor Torque	2.45 LB-FT
NEMA Design Code	N	KVA Code	K	Starting Current	31.2 A
Service Factor (S.F.)	1.5			No-load Current	3.7 A
NEMA Nom. Eff.	66	Power Factor	66	Line-line Res. @ 25°C	2.33 Ω A Ph 1.65 Ω B Ph
Rating - Duty	40C AMB-CONT			Temp. Rise @ Rated Load	75°C
S.F. Amps	13.4/6.7			Temp. Rise @ S.F. Load	108°C

Load Characteristics 230 V, 60 Hz, 0.75 HP

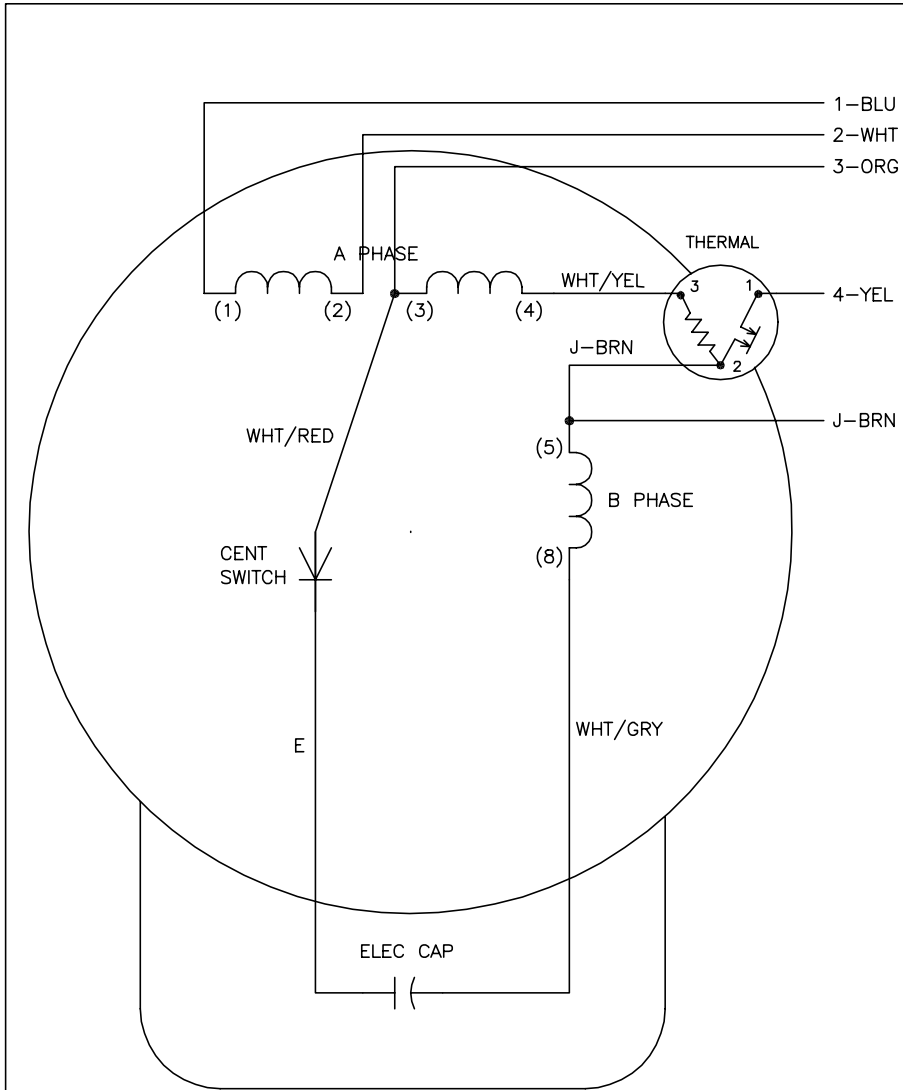
% of Rated Load	25	50	75	100	125	150	S.F.
Power Factor	39	52	64	73	79	83	85
Efficiency	41.7	57.6	65.5	69.2	69.8	69.3	70.4
Speed	3558	3536	3508	3479	3447	3410	3415
Line amperes	3.78	4	4.4	4.91	5.61	6.37	6.31

Performance Graph at 230V, 60Hz, 0.75HP Typical performance - Not guaranteed values





CD0094



	LINE A	LINE B	JOIN	JOIN
HIGH	1	4	2,3	J
LOW	1,3	4	2,J	-

NOTES:

1. CONNECTIONS ARE SHOWN FOR CCW ROTATION FACING END OPPOSITE SHAFT EXTENSION (STD). FOR CW ROTATION, INTERCHANGE 5 AND 8 INTERNALLY.
2. MULTIPLE CAPACITORS ARE CONNECTED IN PARALLEL UNLESS OTHERWISE SPECIFIED.
3. LEAD COLORS ARE OPTIONAL. LEADS MUST ALWAYS BE NUMBERED AS SHOWN.

REV. DESC: REMOVE OPTIONAL THERMAL CONNECTION			
REV. LTR: E	VERSION: 01	TDR: 000000373039	
CD0094	FILE: \AAA\00007\476	REVISED: 11:12:36 08/11/2005	
	MTL: -	BY: ENJOEPO	

BALDOR ELECTRIC Co.

TYPE L, DV, FIX, THERMAL, 5 LEAD

CD0094