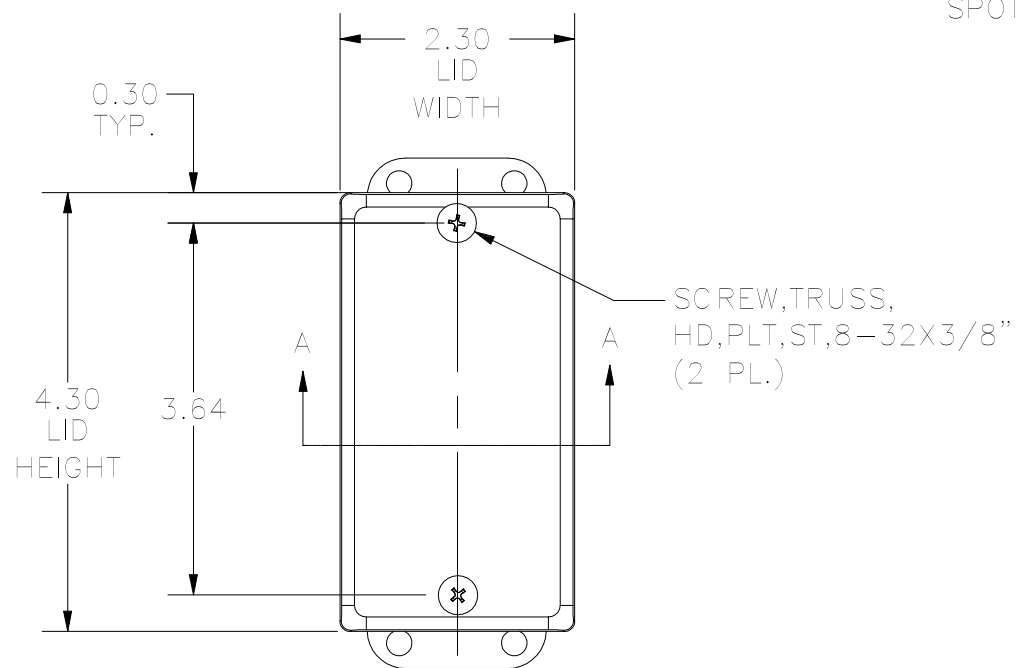
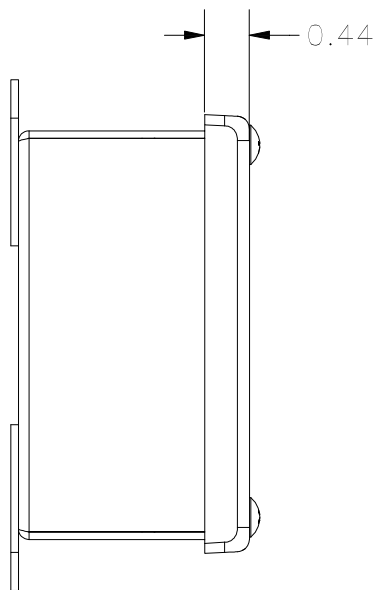


TOP VIEW

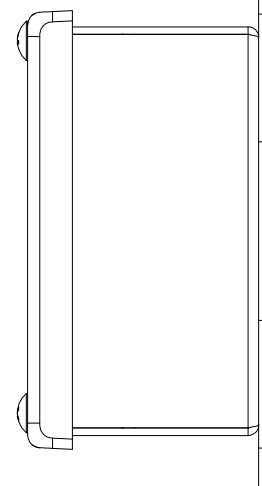
14 GA. C.R.S. MTG. FT. (2 PL.)
SPOT WELD IN PLACE



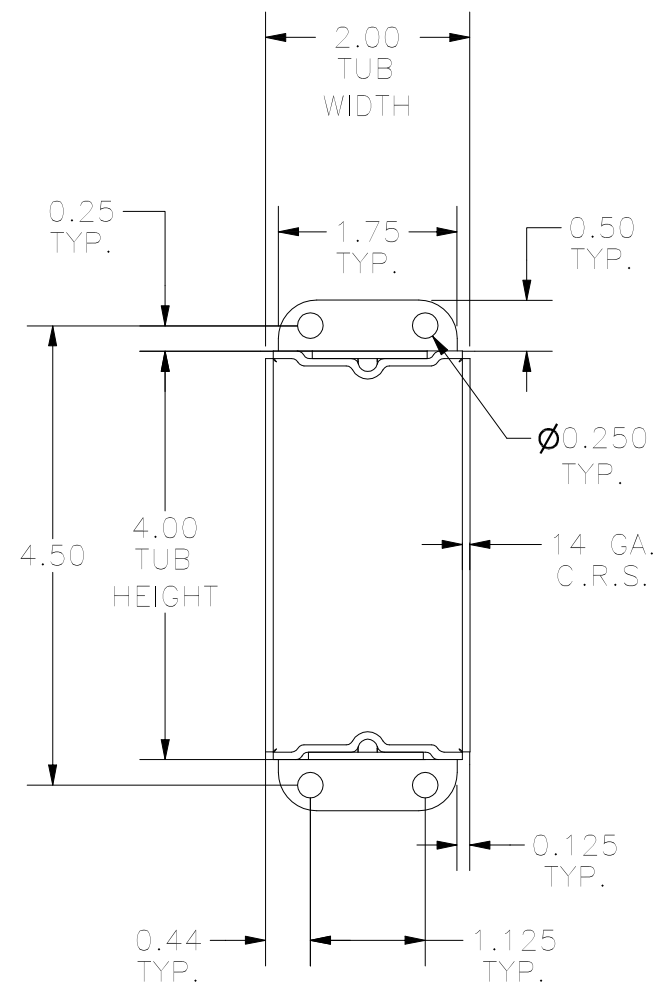
FRONT VIEW



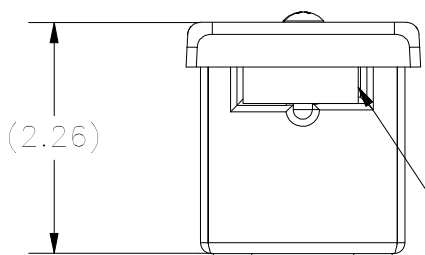
LEFT VIEW



RIGHT VIEW



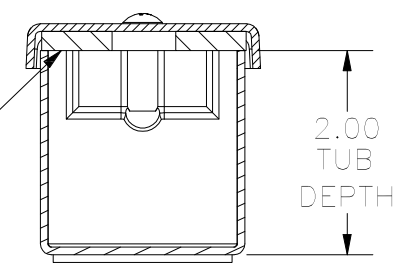
VIEW SHOWING COVER REMOVED



BOTTOM VIEW

DIE CUT NEOPRENE RUBBER GASKET

CLIP, 17/32X1-1/8" (2 PL.)



SECTION A-A

PART#: JIC040202
(DATA SUBJECT TO CHANGE WITHOUT NOTICE)

THIS DRAWING IS PROPERTY OF HUBBELL INC. WIEGMANN
ALL INFORMATION IS PROPRIETARY AND NOT TO BE DUPLICATED