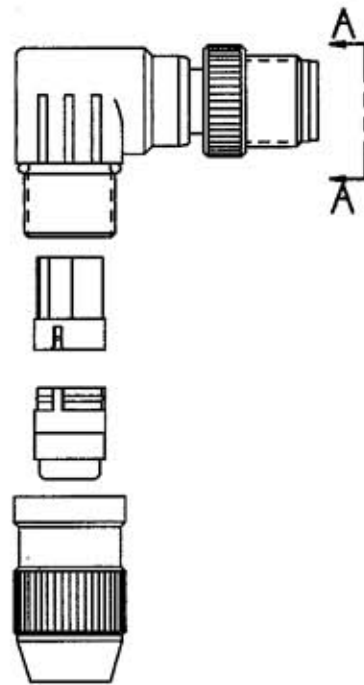
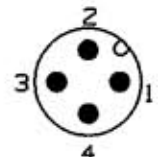


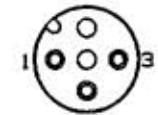
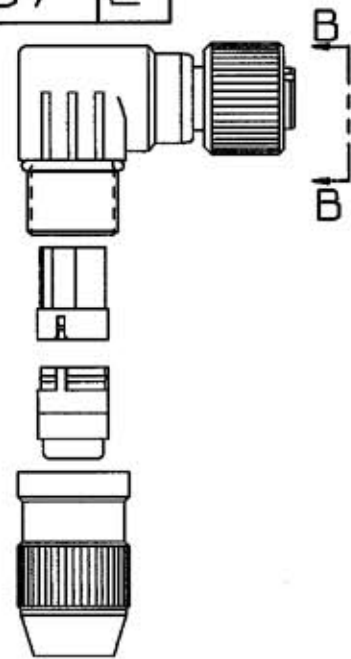
M-8987 2



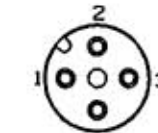
VIEW A
3 POLE
CAT #
MIMA13IDC



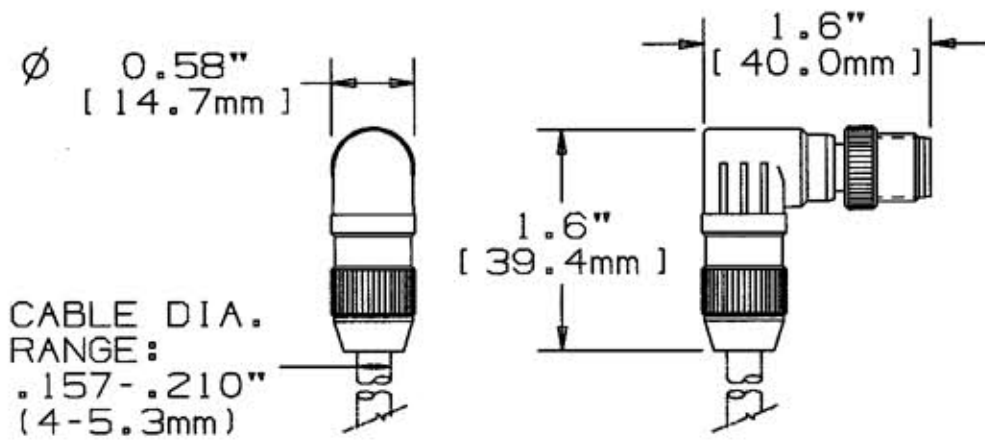
VIEW A
4 POLE
CAT #
MIMA14IDC



VIEW B
3 POLE
CAT #
MCMA13IDC

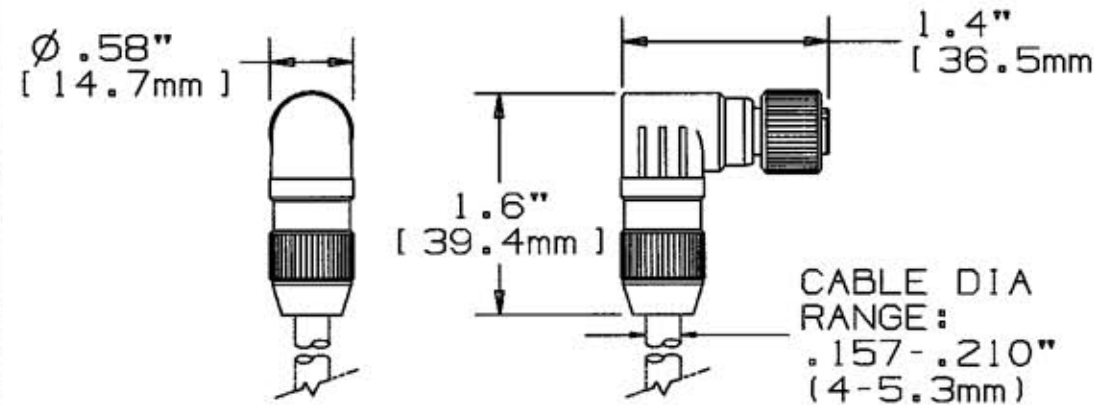


VIEW B
4 POLE
CAT #
MCMA14IDC



MALE ANGLED CONNECTOR

CATALOG NUMBERS:
MIMA13IDC & MIMA14IDC ONLY



FEMALE ANGLED CONNECTOR

CATALOG NUMBERS:
MCMA13IDC & MCMA14IDC ONLY

LIST OF PARTS

DESCRIPTION	MATERIAL	FINISH
HOUSING	POLYESTER	
WIRE GUIDE	NYLON	
STRAIN RELIEF BUSHING	NEOPRENE	
CONTACT	COPPER ALLOY	TIN OVER NICKEL
COUPLING NUT	ZINC ALLOY	NICKEL
CABLE NUT	ZINC ALLOY	NICKEL
O-RING	NEOPRENE	

2	CORRECTED CABLE DIA. RANGES: .157-210(4-5.3mm) FOR MALE & FEMALE CONNECTORS PER DCN 11119, MYA	RDK RJK	8/26/03
1	2/14/03 RELEASED PER DCN #10417	RDK	2/14/03
SYM	REVISIONS	APP	DATE

THE DESIGN AND DIMENSIONS OF THE PRODUCT SHOWN ON THIS DRAWING ARE SUBJECT TO CHANGE WITHOUT NOTICE			
TITLE IDC FIELD ATTACHABLE M12, ANGLED, 3 AND 4 POLE			
TOLERANCES UNLESS OTHERWISE SPECIFIED		WIRING DEVICE-KELLEMS HUBBELL INCORPORATED BRIDGEPORT, CT	
FRACTIONS ±1/64	DECIMALS ±.005	DR. BY JDK	APP. BY
ANGLES ±2°		TR. BY	SCALE N/A
		CHK'D BY	DATE 10/29/02

Catalog Number	WIRE RANGE (AWG)		VOLTAGE	AMPS	NUMBER OF POLES	THREAD SIZE
	MIN.	MAX.				
MIMA13IDC	24	22	32	3	3	M12
MCMA13IDC	24	22	32	3	3	M12
MIMA14IDC	24	22	32	3	4	M12
MCMA14IDC	24	22	32	3	4	M12