

BALDOR® • RELIANCE 

Product Information Packet

IDXM7547T

7.5HP,1770RPM,3PH,60HZ,213TC,0738M,XPFC

Part Detail							
Revision:	P	Status:	PRD/A	Change #:		Proprietary:	No
Type:	AC	Elec. Spec:	07WGX790	CD Diagram:	CD0005	Mfg Plant:	
Mech. Spec:	07H867	Layout:	07LYH867	Poles:	04	Created Date:	03-13-2006
Base:	RG	Eff. Date:	01-31-2018	Leads:	9#14		

Specs			
Catalog Number:	IDXM7547T	Insulation Class:	F
Enclosure:	XPFC	Inverter Code:	Inverter Duty
Frame:	215TC	KVA Code:	J
Frame Material:	Iron	Lifting Lugs:	Standard Lifting Lugs
Output @ Frequency:	7.500 HP @ 60 HZ	Locked Bearing Indicator:	Locked Bearing
Synchronous Speed @ Frequency:	1800 RPM @ 60 HZ	Motor Lead Quantity/Wire Size:	9 @ 14 AWG
Voltage @ Frequency:	460.0 V @ 60 HZ	Motor Lead Exit:	Ko Box
	230.0 V @ 60 HZ	Motor Lead Termination:	Flying Leads
XP Class and Group:	CLI GP D	Motor Type:	0738M
XP Division:	Division I	Mounting Arrangement:	F1
Agency Approvals:	UR	Power Factor:	81
	UL	Product Family:	General Purpose
	CSA	Pulley End Bearing Type:	Ball
Auxillary Box:	No Auxillary Box	Pulley Face Code:	C-Face
Auxillary Box Lead Termination:	None	Pulley Shaft Indicator:	Standard
Base Indicator:	Rigid	Rodent Screen:	None
Bearing Grease Type:	Polyrex EM (-20F +300F)	Shaft Extension Location:	Pulley End
Blower:	None	Shaft Ground Indicator:	No Shaft Grounding

Constant Torque Speed Range:	6	Shaft Rotation:	Reversible
Current @ Voltage:	19.000 A @ 230.0 V	Shaft Slinger Indicator:	No Slinger
	9.500 A @ 460.0 V	Speed Code:	Single Speed
Design Code:	A	Motor Standards:	NEMA
Drip Cover:	No Drip Cover	Starting Method:	Direct on line
Duty Rating:	CONT	Thermal Device - Bearing:	NONE (OLD)
Electrically Isolated Bearing:	Not Electrically Isolated	Thermal Device - Winding:	Normally Closed Thermostat
Feedback Device:	NO FEEDBACK	Vibration Sensor Indicator:	No Vibration Sensor
Front Face Code:	Standard	Winding Thermal 1:	None
Front Shaft Indicator:	None	Winding Thermal 2:	None
Heater Indicator:	No Heater	XP Temp Code:	T2B

Nameplate NP0890XPSLEV											
NO.					CC	010A					
S/N					TEMP CODE	T2B					
SPEC.	07H867X790G1				INV. TYPE	PWM					
CAT.NO.	IDXM7547T				C HP FR	60		C HP TO	90		
HP	7.5				CT HZ FROM	6		CT HZ TO	60		
VOLTS	230/460				VT HZ FROM	6		VT HZ TO	60		
AMPS	19/9.5				MAG CUR	8.6/4.3					
RPM	1770				MX RPM	2700					
HZ	60		PH	3		CL	F				
SER.F.	1.00		DES	A		SL HZ	1		NOM.EFF.	91.7	
FRAME	215TC		RATING	40C AMB-CONT				WK2	0.934		

Parts List		
Part Number	Description	Quantity
SA140084	SA 07H867X790G1	1.000 EA
RA129512	RA 07H867X790G1	1.000 EA
37FN3002C01	EXFN, PLASTIC, 6.00 OD, 1.155 ID	1.000 EA
HA3210E08	.250X 7/8 PIN 312-57	1.000 EA
HW3201A05	3/8-16 EYEBOLT	1.000 EA
07CB1000A01	CONDUIT BOX MACH	1.000 EA
10XN3118A16	5/16-18X1 HEX HD CAP	4.000 EA
HW1001A31	LOCKWASHER 5/16, ZINC PLT .591 OD, .319 I	4.000 EA
11XW1032G06	10-32 X .38, TAPTITE II, HEX WSHR SLTD U	1.000 EA
WD1000B17	T&B CX35TN TERMINAL	1.000 EA
07EP1707A01	STD FRONT ENDPLATE EXPLOSION PROOF	1.000 EA
HW4500A19	1/4-28X1/4 SLOTTED PLUG F/S	2.000 EA
10XN3816K28	3/8-16 X 1.75 HEX HD CAP SCREW, GRADE 5	4.000 EA
HW1001A38	LOCKWASHER 3/8, ZINC PLT .688 OD, .382 I	4.000 EA
HW5100A06	W2420-025 WVY WSHR (WB)	1.000 EA
07EP1708A01	STANDARD FACE MOUNTED ENDPLATE EXPLOSEIO	1.000 EA
HW4500A19	1/4-28X1/4 SLOTTED PLUG F/S	2.000 EA
10XN3816K28	3/8-16 X 1.75 HEX HD CAP SCREW, GRADE 5	4.000 EA
HW1001A38	LOCKWASHER 3/8, ZINC PLT .688 OD, .382 I	4.000 EA
10XN2520A32	1/4 X 2 HEX HEAD CAP SCR, GRADE 2	4.000 EA
HW1001A25	LOCKWASHER 1/4, ZINC PLT .493 OD, .255 I	4.000 EA
07FH1003A05	FAN HOUSING 307 EXPLOSION PROOF W/ GREAS	1.000 EA
10XN2520A12	O1/4-20X 3/4 HEX HEAD CAP	4.000 EA
07CB1502A01	CONDUIT BOX LID MACH (DUCTILE IRON)	1.000 EA

Parts List (continued)		
Part Number	Description	Quantity
10XN2520A16	1/4-20 X 1 HEX HEAD CAP SCR, ZINC PLATED	4.000 EA
HW1001A25	LOCKWASHER 1/4, ZINC PLT .493 OD, .255 I	4.000 EA
HW2501F21	KEY, 5/16 SQ X 2.375	1.000 EA
HA7000A02	KEY RETAINER RING, 1 1/8 DIA, 1 3/8 DIA	1.000 EA
85XU0407S04	4X1/4 U DRIVE PIN STAINLESS	4.000 EA
LB1081F	ALUM XP CAUTION LABEL (FS PLANT ONLY-	1.000 EA
LB1115N	LABEL,LIFTING DEVICE (ON ROLLS)	1.000 EA
MJ1000A02	GREASE, POLYREX EM EXXON (USe 4824-15A)	0.050 LB
51XB1214A20	12-14X1.25 HXWSSLD SERTYB	1.000 EA
MG1025G29	WILKOFASST, 789.229, DARK CHARCOAL GRAY	0.036 GA
LB1119N	WARNING LABEL	1.000 EA
LC0145B01	CONNECTION LABEL	1.000 EA
NP0890XPSLEV	SS XP INV UL CSA-EEV CC CL-I GP-D	1.000 EA
07PA1011	PKG GRP, 07 CAST IRON PK1181	1.000 EA
MN416A01	TAG-INSTAL-MAINT no wire (1200/bx) 5/18	1.000 EA



AC Induction Motor Performance Data

Record # 34350

Typical performance - not guaranteed values

Winding: 07WG X790	Type: 0735M	Enclosure: XPFC
---------------------------	--------------------	------------------------

Nameplate Data			General Characteristics at 460 V, 60 Hz: High Volt Connection		
Rated Output (HP)	7.5		Full Load Torque	22.1 LB-FT	
Volts	230/460		Start Configuration	DOL	
Full Load Amps	19/9.5		Break Down Torque	69.8 LB-FT	
R.P.M.	1770		Pull-Up Torque	34.3 LB-FT	
Hz	60	Phase	Locked-rotor Torque	42.2 LB-FT	
NEMA Design Code	A	KVA Code	Starting Current	68 Amps	
Service Factor	1		No-load Current	4.18 Amps	
NEMA Nom. Eff.	91.7	P.F.	Line-line Res. @ 25°C.	1.43 Ohms	
Rating - Duty	40C AMB-CONT		Temp. Rise @ Rated Load	42°C	
S.F. Amps			Temp. Rise @ S.F. Load		

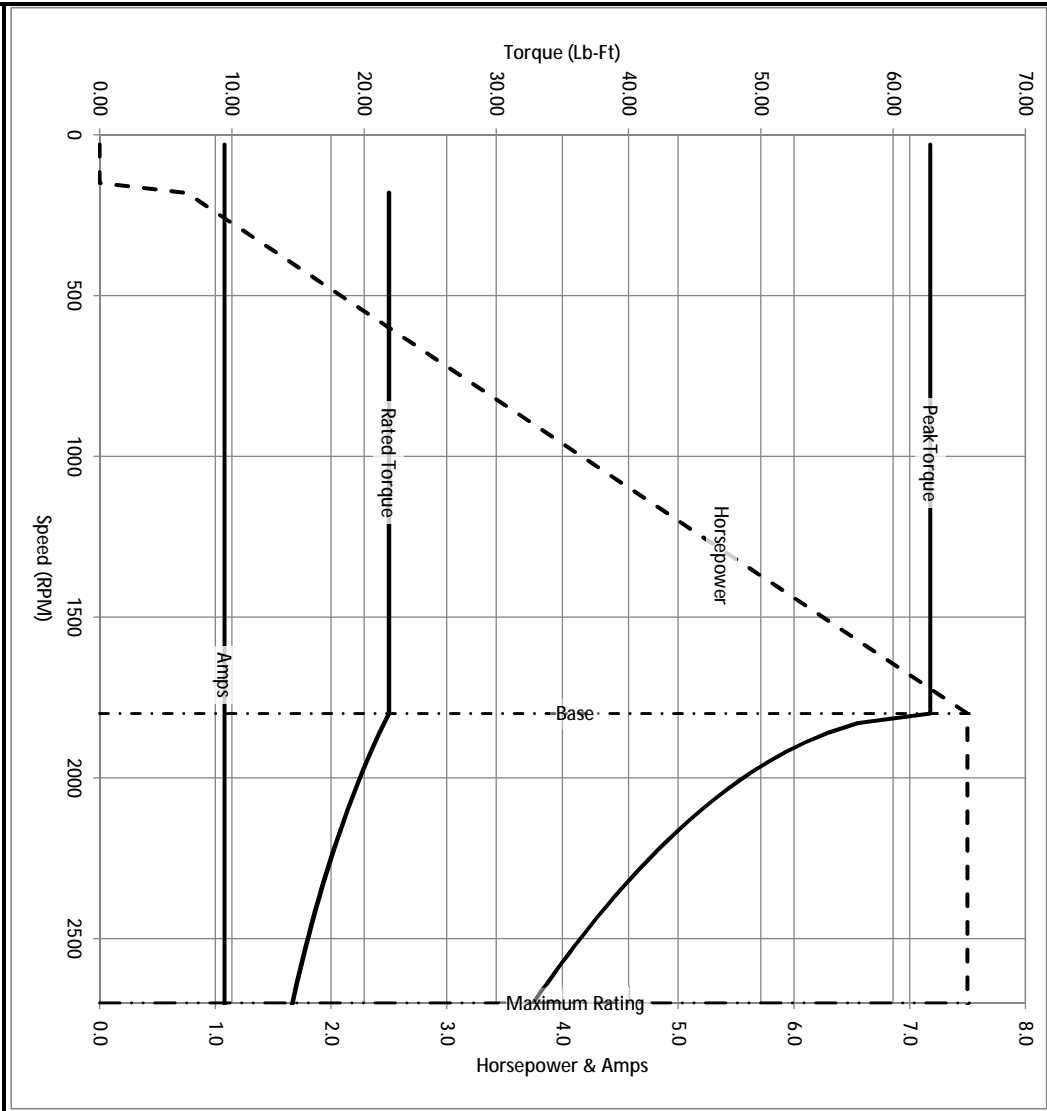
Load Characteristics at 460 Volts, 60 Hz, 7.5 HP

% of Rated Load	25	50	75	100	125	150	S.F.
Power Factor	43	65	76	81	83	84	
Efficiency	87.4	91.6	92.3	92	91.2	90.1	
Speed	1792	1784	1777	1769	1760	1750	
Line Amperes	4.68	5.93	7.53	9.44	11.6	13.9	

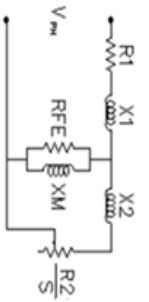
Baldor Electric Company Fort Smith, Arkansas



Catalog	IDXMT547T	NIP VOLTS	230/460	ENCLOSURE	XPFC	WYE CONNECTION OHMS PER PHASE (BASE RATING, 200°)			
FRAME	215TC	NIP AMPS	19/9.5	Base Volts	460	R1	0.700	X1	2.575
HP	7.5 HP	DUTY	Cont	Base AMPS	9.44	R2	0.423	X2	1.927
BASE SPEED	1800	MAX SAFE RPM	2700	Slip Hz	1.03			XMI	56.026
PHASE/HZ	3/60	AMB ⁶ /C/INSUL	40/F	WK ² (lb-ft ²)	0.861				



Remarks: Calculated Data



A MEMBER OF THE ABB GROUP

DR BY ENR

CK BY

APP BY ENR

DATE 2/27/2013

A-C MOTOR

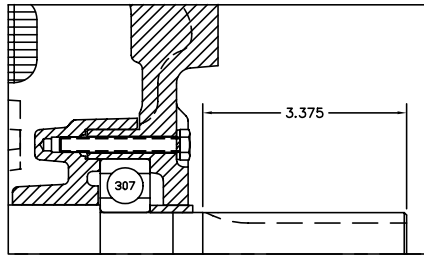
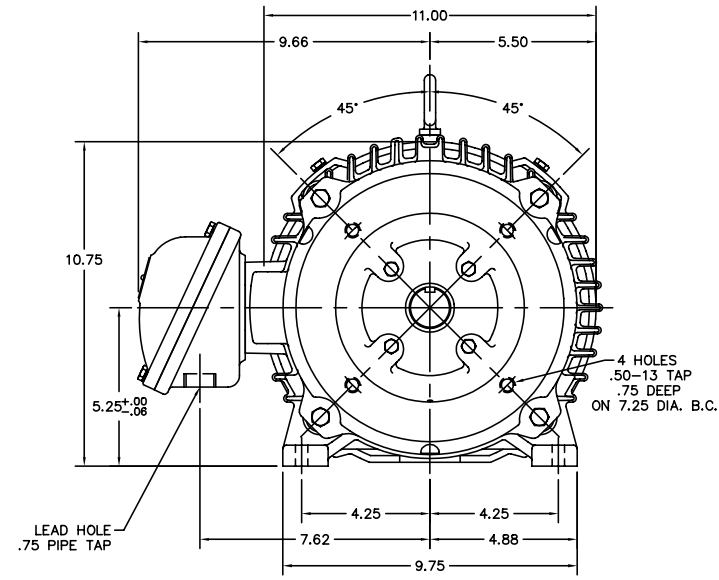
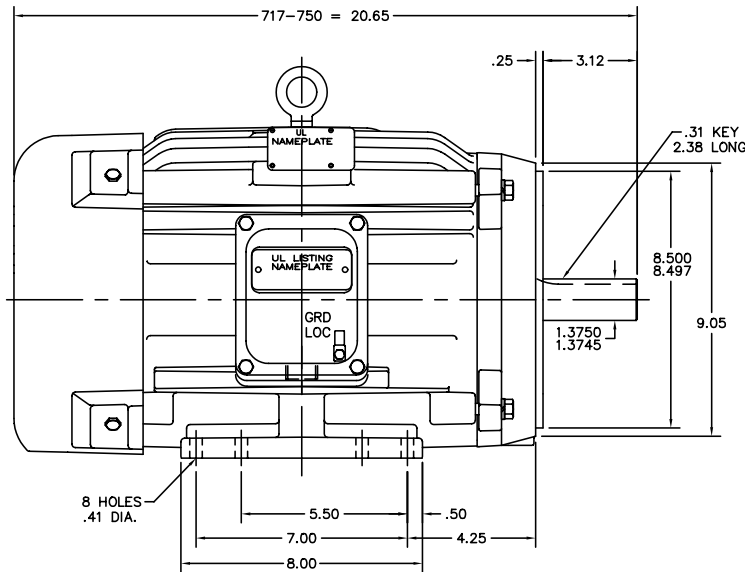
PERFORMANCE CURVES

07H867X790G1

ISSUE DATE

2/27/2013

07H867



PULLEY END DETAIL

CUST. NAME		CUST. P.O.		REMARKS:	
MODEL	INSUL	AMB	H.P.	MTG	REV: - NEW
R.P.M.	VOLTS	ENCL	PHASE	FREQ	SCALE: .3 BY: OD
FRAME	TYPE	CERTIFIED BY		FILE: AAA00055447	REVISED: 06/01/98 TDR: 0153232

BALDOR ELECTRIC Co.
 HOR 213-5TC XPFC 07M CL-I GP-D (INVERTER DUTY)

07H867

CD0005



LOW VOLTAGE
(2Y)



LINE

HIGH VOLTAGE
(1Y)



LINE

NOTES:

1. INTERCHANGE ANY TWO LINE LEADS TO REVERSE ROTATION.
2. OPTIONAL THERMOSTATS ARE PROVIDED WHEN SPECIFIED.
3. ACTUAL NUMBER OF INTERNAL PARALLEL CIRCUITS MAY BE A MULTIPLE OF THOSE SHOWN ABOVE.
4. LEAD COLORS ARE OPTIONAL. LEADS MUST ALWAYS BE NUMBERED AS SHOWN.

REV. DESC: REVISE TO SHOW OPTIONAL COLORS			
REV. LTR: E	BY: JLP	REVISED: 01/19/99 10:15	TDR: 0171435
900000		FILE: AAA00005140	MDL: -
		MTL: -	

BALDOR ELECTRIC Co.

3PH, DV, 9 LEADS

CD0005