

BALDOR® • RELIANCE 

Product Information Packet

IDNM2238T

10HP,1770RPM,3PH,60HZ,256TC,0948M,TENV

Part Detail							
Revision:	AC	Status:	PRD/A	Change #:		Proprietary:	No
Type:	AC	Elec. Spec:	09WGY402	CD Diagram:	CD0005	Mfg Plant:	
Mech. Spec:	09F278	Layout:	09LYF278	Poles:	04	Created Date:	
Base:	RG	Eff. Date:	09-05-2017	Leads:	9#12		

Specs			
Catalog Number:	IDNM2238T	Insulation Class:	H
Enclosure:	TENV	Inverter Code:	Inverter Duty
Frame:	256TC	KVA Code:	K
Frame Material:	Iron	Lifting Lugs:	Standard Lifting Lugs
Output @ Frequency:	10.000 HP @ 60 HZ	Locked Bearing Indicator:	Locked Bearing
Synchronous Speed @ Frequency:	1800 RPM @ 60 HZ	Motor Lead Quantity/Wire Size:	9 @ 12 AWG
Voltage @ Frequency:	230.0 V @ 60 HZ	Motor Lead Exit:	Ko Box
	460.0 V @ 60 HZ	Motor Lead Termination:	Flying Leads
XP Class and Group:	None	Motor Type:	0948M
XP Division:	Not Applicable	Mounting Arrangement:	F1
Agency Approvals:	UR	Power Factor:	78
	CSA	Product Family:	General Purpose
Auxillary Box:	No Auxillary Box	Pulley End Bearing Type:	Ball
Auxillary Box Lead Termination:	None	Pulley Face Code:	C-Face
Base Indicator:	Rigid	Pulley Shaft Indicator:	Standard
Bearing Grease Type:	Polyrex EM (-20F +300F)	Rodent Screen:	None
Blower:	None	Shaft Extension Location:	Pulley End
Current @ Voltage:	13.000 A @ 460.0 V	Shaft Ground Indicator:	No Shaft Grounding

	26.000 A @ 230.0 V	Shaft Rotation:	Reversible
Design Code:	A	Shaft Slinger Indicator:	Shaft Slinger
Drip Cover:	No Drip Cover	Speed Code:	Single Speed
Duty Rating:	CONT	Motor Standards:	NEMA
Electrically Isolated Bearing:	Not Electrically Isolated	Starting Method:	Direct on line
Feedback Device:	NO FEEDBACK	Thermal Device - Bearing:	None
Front Face Code:	Encoder/Feedback Device	Thermal Device - Winding:	Normally Closed Thermostat
Front Shaft Indicator:	None	Vibration Sensor Indicator:	No Vibration Sensor
Heater Indicator:	No Heater	Winding Thermal 1:	None
		Winding Thermal 2:	None

Nameplate NP1163	
CAT NO	IDNM2238T
SPEC.	09F278Y402G1
FRAME	256TC HP 10 TE
VOLTS	230/460
MAG CUR	11.2/5.6
RPM	1770
HZ	60
SER.F.	1.00
NEMA-NOM-EFF	91.7
BLWR V	
RATING	40C AMB-CONT
DE BRG	6309
CC	010A
FLA	26/13
RPM MAX	5000
PH	3
DES	A
WK2	2.1
PH	
HZ	
A	
CLASS	H
SL HZ	0.9
ODE BRG	6208
SN	

Parts List		
Part Number	Description	Quantity
SA077175	SA 09F278Y402G1	1.000 EA
RA070739	RA 09F278Y402G1	1.000 EA
HW1002A63	0ASHER, 5/8 HI-COLLAR SPRLCKWASHER	1.000 EA
09CB3002SP	CB W/1.38 LEAD HOLE FOR 37, 39, 307 & 30	1.000 EA
09GS1000SP	GASKET-CONDUIT BOX, 1/16 THICK LEXIDE	1.000 EA
10XN2520K12	1/4-20 X.75 GRD 5	2.000 EA
HW1001A25	LOCKWASHER 1/4, ZINC PLT .493 OD, .255 I	2.000 EA
WD1000B16	T&B CX70TN TERMINAL	1.000 EA
59XW2520G07	.25-20X.44,HEX SER WSHR,TAPTITE 2,GREEN	1.000 EA
09EP1100A119	FREP TEBC/TENV W/THRU SHAFT ENCODER DESI	1.000 EA
HA4051A00	PLASTIC CAP FOR GREASE FITTING	1.000 EA
10XN2520K12	1/4-20 X.75 GRD 5	1.000 EA
HW1001A25	LOCKWASHER 1/4, ZINC PLT .493 OD, .255 I	1.000 EA
XY3816A12	3/8-16 FINISHED NUT	4.000 EA
HW1001A38	LOCKWASHER 3/8, ZINC PLT .688 OD, .382 I	4.000 EA
HW5100A08	W3118-035 WVY WSHR (WB)	1.000 EA
10XN2520K28	1/4-20 X 1.75" HX HD SCRWGRADE 5, ZINC P	2.000 EA
HW1001A25	LOCKWASHER 1/4, ZINC PLT .493 OD, .255 I	2.000 EA
10XN2520K36	1/4-20 X 2.25" HX HD SCRWGRADE 5, ZINC P	4.000 EA
HW1001A25	LOCKWASHER 1/4, ZINC PLT .493 OD, .255 I	4.000 EA
09EP1300A12	ENDPLATE, MACH	1.000 EA
HW4600B44	V-RING SLINGER 1.500 X 1.810 X .28 VITON	1.000 EA
HA4051A00	PLASTIC CAP FOR GREASE FITTING	1.000 EA
HA3113A03	THRUBOLT 3/8-16 X 14.125	4.000 EA

Parts List (continued)		
Part Number	Description	Quantity
HW1001A38	LOCKWASHER 3/8, ZINC PLT .688 OD, .382 I	4.000 EA
HA6881	BEI HS35 THRU SHAFT ENCODER PROTECTIVE C	1.000 EA
10XN3816K12	3/8-16 X 3/4 HEX HD CAP GRADE 5	3.000 EA
HW1001A38	LOCKWASHER 3/8, ZINC PLT .688 OD, .382 I	3.000 EA
09CB3501SP	CONDUIT BOX LID FOR 09CB3001 & 09CB3002	1.000 EA
09GS1013SP	09 GS FOR 09CB3501 LID - LEXIDE	1.000 EA
51XW2520A12	.25-20 X .75, TAPTITE II, HEX WSHR SLTD	2.000 EA
HW2501G25	KEY, 3/8 SQ X 2.875	1.000 EA
LB1115N	LABEL,LIFTING DEVICE (ON ROLLS)	1.000 EA
HW4500A03	GREASE FITTING, .125 NPT 1610(ALEMITE) 8	1.000 EA
HW4500A17	317400 ALEMITE GREASE RELIEF	1.000 EA
HA4054	SHORT T-DRAIN FITTING, .125" N.P.T.	1.000 EA
MJ1000A02	GREASE, POLYREX EM EXXON (USe 4824-15A)	0.080 LB
HW4500A03	GREASE FITTING, .125 NPT 1610(ALEMITE) 8	1.000 EA
HW4500A17	317400 ALEMITE GREASE RELIEF	1.000 EA
HA4054	SHORT T-DRAIN FITTING, .125" N.P.T.	1.000 EA
MG1000G27	MED CHARCOAL METALLIC GREY 400-0096	0.050 GA
85XU0407S04	4X1/4 U DRIVE PIN STAINLESS	2.000 EA
LC0005E02	SPL CONN.DIA./WARN.LABEL(LC0005/LB1119)	1.000 EA
MN416A01	TAG-INSTAL-MAINT no wire (1200/bx) 5/18	1.000 EA
NP1163	ALUM INV UL CSA CC	1.000 EA
09PA1000	PACKAGING GROUP COMBINED PRINT	1.000 EA

AC Induction Motor Performance Data

Page 1 of 1



AC Induction Motor Performance Data

Record # 1989

Typical performance - not guaranteed values

Winding: 09WGY402	Type: 0948M	Enclosure: TENV
--------------------------	--------------------	------------------------

Nameplate Data			General Characteristics at 460 V, 60 Hz: High Volt Connection		
Rated Output (HP)	10		Full Load Torque	29.8 LB-FT	
Volts	230/460		Start Configuration	DOL	
Full Load Amps	26/13		Break Down Torque	133 LB-FT	
R.P.M.	1770		Pull-Up Torque	54.7 LB-FT	
Hz	60	Phase	Locked-rotor Torque	71.1 LB-FT	
NEMA Design Code	B	KVA Code	Starting Current	106 Amps	
Service Factor	1		No-load Current	5.6 Amps	
NEMA Nom. Eff.	91.7	P.F.	Line-line Res. @ 25°C.	0.684 Ohms	
Rating - Duty	40C AMB-CONT		Temp. Rise @ Rated Load	66°C	
S.F. Amps			Temp. Rise @ S.F. Load		

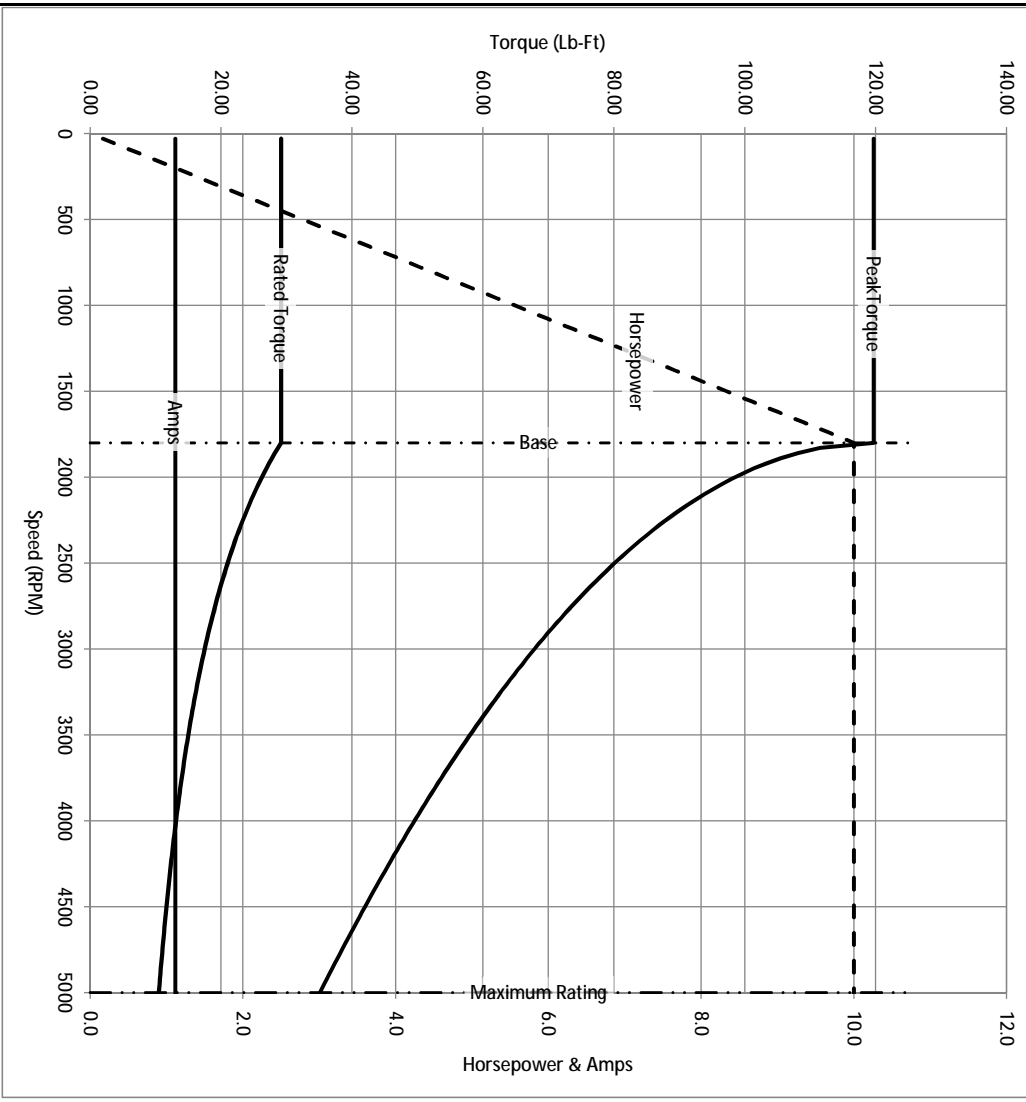
Load Characteristics at 460 Volts, 60 Hz, 10 HP

% of Rated Load	25	50	75	100	125	150	S.F.
Power Factor	42	61	73	78	81	82	
Efficiency	87	91.2	92.3	92.2	91.7	90.8	
Speed	1793	1787	1780	1773	1766	1757	
Line Amperes	6.58	8.12	10.4	13	15.7	18.8	

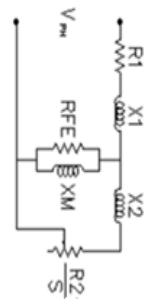
Baldor Electric Company Fort Smith, Arkansas



Catalog	IDNM2238T	NP VOLTS	230/460	ENCLOSURE	TENV	WYE CONN EQ CRT OHMS PER PHASE (BASE RATING, 20C)
FRAME	256TC	NP AMPS	26/13	Base Volts	460	R1 0.332
HP	10 HP	DUTY	Cont	Base AMPS	13	R2 0.268
BASE SPEED	1800	MAX SAFE RPM	5000	Slip Hz	0.90	XM1
PHASE/HZ	3/60	AMB ⁰ /C/INSUL	40/H	WK ² (lb-ft ²)	2.1	X2 1.646
						45.205



Remarks: Calculated Data

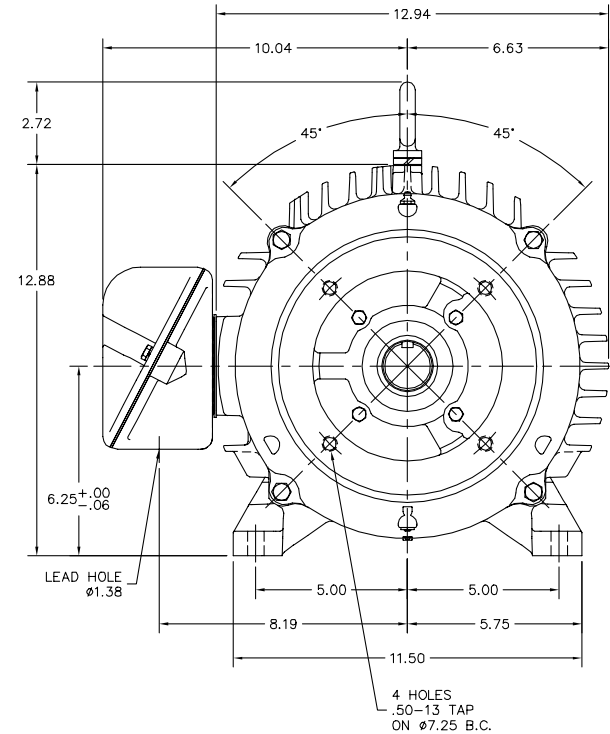
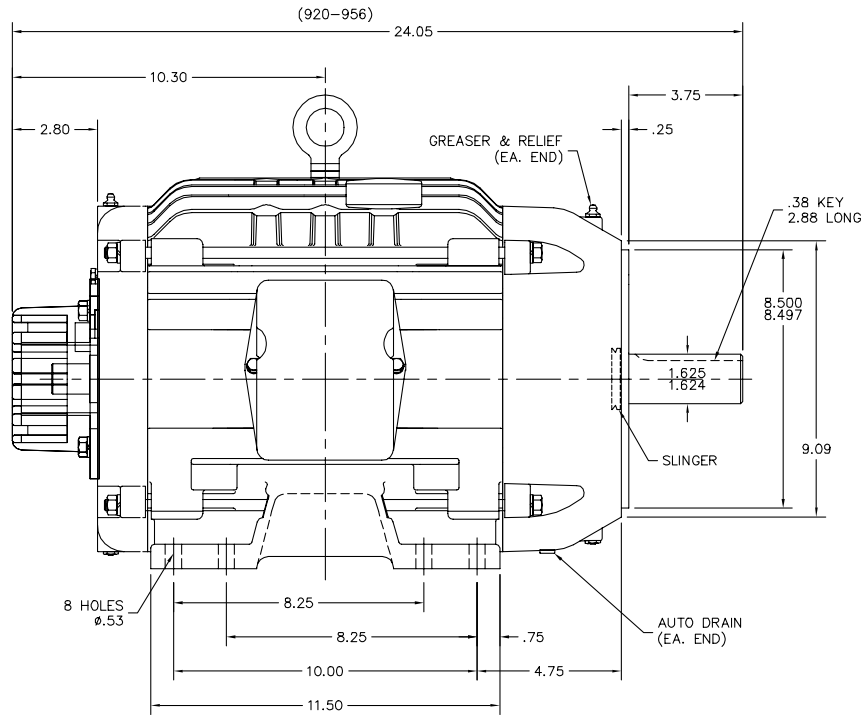


BALDOR DR BY ENR
 CK BY
 APP BY ENR
 DATE 2/28/2013

A MEMBER OF THE ABB GROUP

A-C MOTOR
 PERFORMANCE CURVES
 09F278Y402G1
 ISSUE DATE 2/28/2013

09LYF278



09LYF278

CUSTOMER IS RESPONSIBLE FOR DETERMINING THAT BALDOR'S PRODUCT WILL PERFORM SUITABLY IN THE INTENDED APPLICATION.

REV. DESC: UPDATE DRAIN FITTING		
REV. LTR: E	VERSION: 03	TDR: 000000857729
FILE: \AAA\00070\810	REVISED: 09:24:12 06/11/2014	BY: ENNINDO
MTL: -		

BALDOR

HORZ TENV 254-6TC INV. W/THRU SH ENCODER DESIGN & COVER
SH 1 of 1

CD0005



LOW VOLTAGE
(2Y)



LINE

HIGH VOLTAGE
(1Y)



LINE

NOTES:

1. INTERCHANGE ANY TWO LINE LEADS TO REVERSE ROTATION.
2. OPTIONAL THERMOSTATS ARE PROVIDED WHEN SPECIFIED.
3. ACTUAL NUMBER OF INTERNAL PARALLEL CIRCUITS MAY BE A MULTIPLE OF THOSE SHOWN ABOVE.
4. LEAD COLORS ARE OPTIONAL. LEADS MUST ALWAYS BE NUMBERED AS SHOWN.

REV. DESC: REVISE TO SHOW OPTIONAL COLORS			
REV. LTR: E	BY: JLP	REVISED: 01/19/99 10:15	TDR: 0171435
900000		FILE: AAA00005140	MDL: -
		MTL: -	

BALDOR ELECTRIC Co.

3PH, DV, 9 LEADS

CD0005