

# **BALDOR**® • ***RELIANCE***

## **Product Information Packet**

### **IDM3661T-5**

**3HP, 1755RPM, 3PH, 60HZ, 184TC, 0632M, TEBC, F1**

Part Detail							
Revision:	C	Status:	PRD/A	Change #:		Proprietary:	No
Type:	AC	Prod. Type:	0632M	Elec. Spec:	06WGX319	CD Diagram:	CD0006
Enclosure:	TEBC	Mfg Plant:		Mech. Spec:	06F552	Layout:	06LYF552
Frame:	184TC	Mounting:	F1	Poles:	04	Created Date:	10-10-2011
Base:	RG	Rotation:	RS	Insulation:	H	Eff. Date:	08-01-2013
Leads:	3#16					Replaced By:	
Literature:		Elec. Diagram:					

Nameplate NP1162L									
CAT NO	IDM3661T-5								
SPEC.	06F552X319G1								
FRAME	184TC	HP	3	TE					
VOLTS	575								
MAG CUR	1.7	FLA	3.3						
RPM	1755	RPM MAX	6000						
HZ	60	PH	3	CLASS	H				
SER.F.	1.00	DES	B	SL HZ	1.5				
NEMA-NOM-EFF	89.5	WK2	0.3						
BLWR V	115	PH	1	HZ	60	A	.26		
RATING	40C AMB-CONT								
DE BRG	6206	ODE BRG	6205						
CC		SN							

Parts List		
Part Number	Description	Quantity
SA232419	SA 06F552X319G1	1.000 EA
RA219425	RA 06F552X319G1	1.000 EA
HW3201A05	3/8-16 EYEBOLT	1.000 EA
06CB3000	BALDOR CONDUIT BOX CAST	1.000 EA
06GS1000	GASKET,CONDUIT BOX	1.000 EA
51XW2520A12	SCREW, HEX SER SLT HD, ZN, 1/4-20 X .75	2.000 EA
51XW2520A12	.25-20 X .75, TAPTITE II, HEX WSHR SLTD	2.000 EA
11XW1032G06	10-32 X .38, TAPTITE II, HEX WSHR SLTD U	1.000 EA
HW3001B01	003SS CUP WASHER, FOR #8 SCREW	1.000 EA
36EP1101B41	FR TEBC 205 BRG W/ GR SR & THRU-SHAFT ENC	1.000 EA
HW4500A01	1641B(ALEMITE)400 UNIV, GREASE FITT	1.000 EA
HW5100A05	WVY WSHR F/205 & 304 BRGS	1.000 EA
36EP1300A01SP	PU ENDPLATE, MACH	1.000 EA
HW4500A01	1641B(ALEMITE)400 UNIV, GREASE FITT	1.000 EA
10XN2520A26	1/4-20X 1 5/8 HEX HD	4.000 EA
HW1001A25	LOCKWASHER 1/4, ZINC PLT .493 OD, .255 I	4.000 EA
HA3101A34	THRUBOLT- 1/4-20 X 10.375	4.000 EA
10XN2520A08	1/4-20X1/2 HEX HEAD CAP	1.000 EA
HA3218A05	M/FE STANDOFF UNIC#SX1043.25-20 .38 HEX	3.000 EA
10XN2520A06	1/4 20X3/8 HX HD CAP	3.000 EA
HW1001A25	LOCKWASHER 1/4, ZINC PLT .493 OD, .255 I	3.000 EA
06CB3500	BALDOR CONDUIT BOX LID	1.000 EA
06GS1001	BALDOR CONDUIT BOX GASKET	1.000 EA
HA1005A03SP	SLINGER, OD 1.750, ID .938, 205 BRG	1.000 EA

<b>Parts List (continued)</b>		
<b>Part Number</b>	<b>Description</b>	<b>Quantity</b>
HW2501E16	3KEY, 1/4 SQ X 1.750	1.000 EA
HA7000A02	KEY RETAINER RING, 1 1/8 DIA, 1 3/8 DIA	1.000 EA
MJ5004A05	#242-21 LOCTITE GENERAL PURPOSE MED. STR	0.005 EA
85XU0407S04	4X1/4 U DRIVE PIN STAINLESS	2.000 EA
LB1115N	LABEL,LIFTING DEVICE (ON ROLLS)	1.000 EA
LB1009N	LABEL,ROTATION DIRECTION (ON ROLLS)	1.000 EA
MJ1000A75	GREASE, POLYREX EM EXXON (USe 4824-15A)	0.050 LB
06FH5001A02	BLOWER ASSY. 06FH4001, EF0001	1.000 EA
MG1000G27	MED CHARCOAL METALLIC GREY	0.028 GA
LC0035B01	1PH, SV, FIX, 2 LEAD	1.000 EA
LB1119N	WARNING LABEL	1.000 EA
LB1125C01	STD (STOCK) CARTON LABEL BALDOR WITH FLA	1.000 EA
LC0006	CONNECTION LABEL	1.000 EA
NP1162L	SS INV UL CSA CC	1.000 EA
G0PA1000	SPCL PACKAGING	1.000 EA
MN416A01	TAG-INSTAL-MAINT no wire (1200/bx) 10/13	1.000 EA

AC Induction Motor Performance Data

Page 1 of 1



**AC Induction Motor Performance Data**

Record # 36484

Typical performance - not guaranteed values

<b>Winding:</b> 06WGX319	<b>Type:</b> 0632M	<b>Enclosure:</b> TEBC
--------------------------	--------------------	------------------------

Nameplate Data			General Characteristics at 575 V, 60 Hz: Single Volt Motor		
Rated Output (HP)	3		Full Load Torque	9.05 LB-FT	
Volts	575		Start Configuration	DOL	
Full Load Amps	3.3		Break Down Torque	33 LB-FT	
R.P.M.	1755		Pull-Up Torque	18.2 LB-FT	
Hz	60	Phase	Locked-rotor Torque	20.3 LB-FT	
NEMA Design Code	B	KVA Code	Starting Current	23.8 Amps	
Service Factor	1		No-load Current	1.7 Amps	
NEMA Nom. Eff.	89.5	P.F.	Line-line Res. @ 25°C.	6.22 Ohms	
Rating - Duty	40C AMB-CONT		Temp. Rise @ Rated Load	35°C	
S.F. Amps			Temp. Rise @ S.F. Load		

Load Characteristics at 575 Volts, 60 Hz, 3 HP

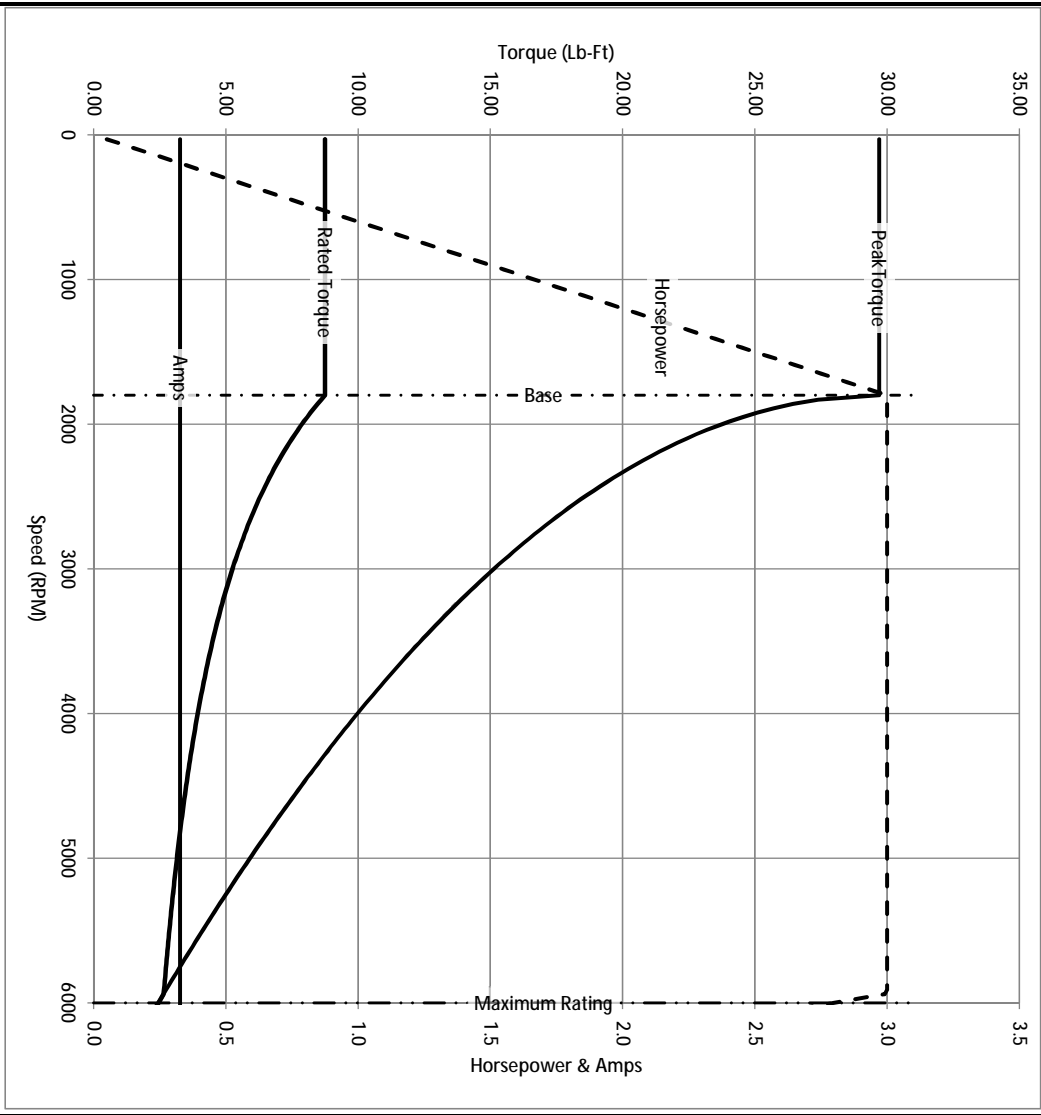
% of Rated Load	25	50	75	100	125	150	S.F.
Power Factor	38	59	71	77	81	83	
Efficiency	83.1	88.4	89.8	89.6	89.1	87.7	
Speed	1790	1779	1769	1757	1744	1730	
Line Amperes	1.86	2.22	2.71	3.27	3.92	4.69	

Baldor Electric Company Fort Smith, Arkansas

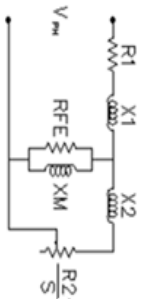


2/27/2013

Catalog	IDM3661T-5	NIP VOLTS	575	ENCLOSURE	TEBC	WYE CONNECTION OHMS PER PHASE (BASE RATING, 200°)			
FRAME	184TC	NIP AMPS	3.3	Base Volts	575	R1	3.040	X1	8.588
HP	3 HP	DUTY	Cont	Base AMPS	3.27	R2	2.150	X2	7.189
BASE SPEED	1800	MAX SAFE RPM	6000	Slip Hz	1.43			XMI	187.435
PHASE/HZ	3/60	AMB <sup>6</sup> /C/INSUL	40/H	WK <sup>2</sup> (lb-ft <sup>2</sup> )	0.298				

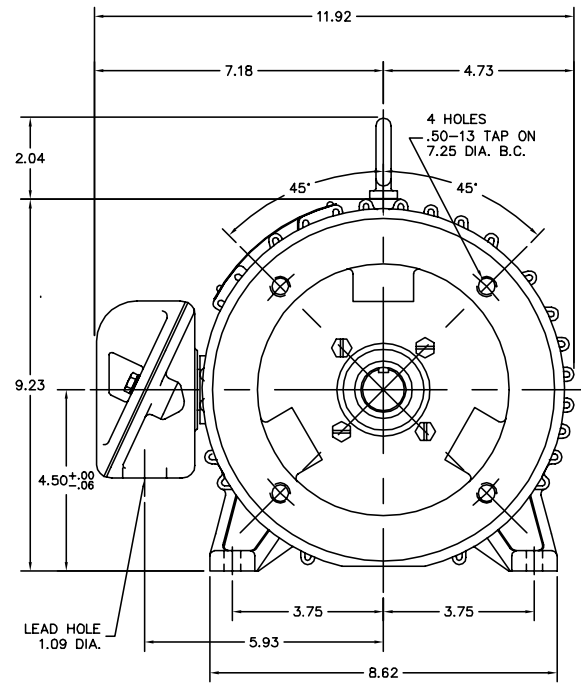
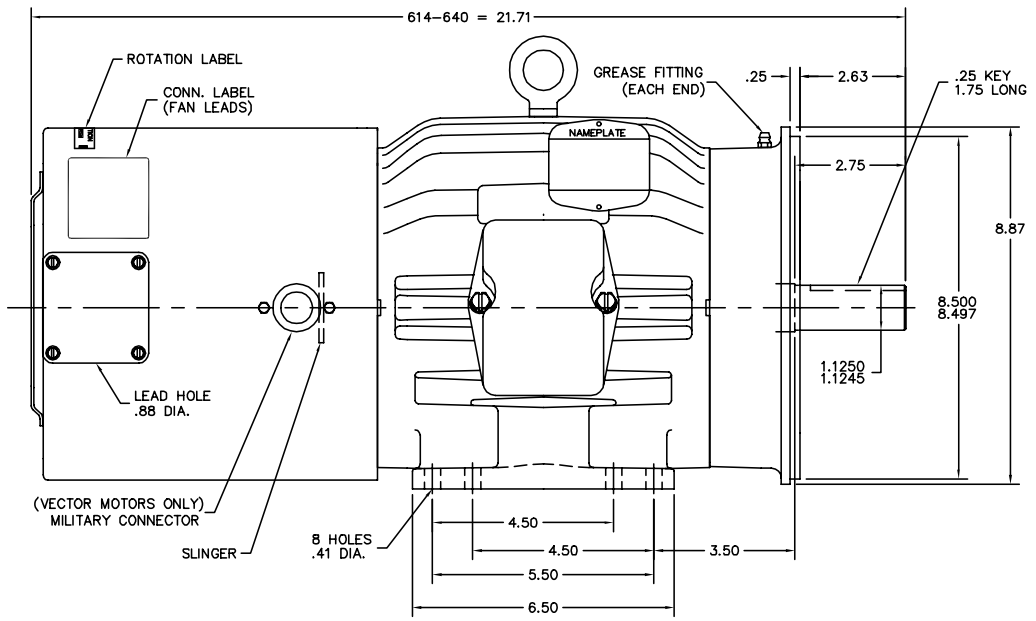


Remarks: Calculated Data



<p><b>A MEMBER OF THE ABB GROUP</b></p>	DR BY <u>ENR</u> CK BY APP BY DATE <u>2/27/2013</u>	A-C MOTOR PERFORMANCE CURVES	06F552X319G1 ISSUE DATE <u>2/27/2013</u>
-----------------------------------------	--------------------------------------------------------------	---------------------------------	---------------------------------------------

06LYF552



CUSTOMER IS RESPONSIBLE FOR DETERMINING THAT MOTOR PERFORMANCE IS SUITABLE IN THE APPLICATION.

REV. DESC: CORRECT ROTATION LABEL GRAPHICS & LEADER			
REV. LTR: B	BY: DLS	REVISED: 13:53:11 01/10/2002	TDR: 251223
FILE: AAA00070966		REF: 06LYF552	
MTL: -			

<b>BALDOR ELECTRIC Co.</b>
STD HORZ 182-4TC TEBC INVERTER/VECTOR (THRU-SHAFT ENCODER)

06LYF552



CD0006



NOTES:

1. THREE LEAD MOTOR MAY BE EITHER WYE CONNECTED OR DELTA CONNECTED.
2. INTERCHANGE ANY TWO LINE LEADS TO REVERSE ROTATION.
3. OPTIONAL THERMOSTATS ARE PROVIDED WHEN SPECIFIED.
4. ACTUAL NUMBER OF INTERNAL PARALLEL CIRCUITS MAY VARY.
5. LEAD COLORS ARE OPTIONAL. LEADS MUST BE NUMBERED AS SHOWN.

REV. DESC: REVISE TO SHOW OPTIONAL COLORS			
REV. LTR: D	BY: JLP	REVISED: 01/21/99 4:02	TDR: 0171435
9000D		FILE: AAA00005141	MDL: -
		MTL: -	

**BALDOR ELECTRIC Co.**

3PH, SV, 3 LEADS, WYE OR DELTA CONNECTED

CD0006