

BALDOR® • RELIANCE 

Product Information Packet

IDCSWDM3554

1.5HP, 1760RPM, 3PH, 60HZ, 56C, 3534M, TEFC, F1

Part Detail							
Revision:	S	Status:	PRD/A	Change #:		Proprietary:	No
Type:	AC	Elec. Spec:	35WGP802	CD Diagram:	CD0005	Mfg Plant:	
Mech. Spec:	35S632	Layout:	35LYS632	Poles:	04	Created Date:	12-30-2008
Base:	RG	Eff. Date:	06-26-2018	Leads:	9#18		

Specs			
Catalog Number:	IDCSWDM3554	Inverter Code:	Inverter Duty
Enclosure:	TEFC	KVA Code:	M
Frame:	56C	Lifting Lugs:	No Lifting Lugs
Frame Material:	Stainless Steel	Locked Bearing Indicator:	Locked Bearing
Output @ Frequency:	1.500 HP @ 60 HZ	Motor Lead Quantity/Wire Size:	9 @ 18 AWG
Synchronous Speed @ Frequency:	1800 RPM @ 60 HZ	Motor Lead Exit:	Ko Box
Voltage @ Frequency:	230.0 V @ 60 HZ	Motor Lead Termination:	Flying Leads
	460.0 V @ 60 HZ	Motor Type:	3534M
XP Class and Group:	None	Mounting Arrangement:	F1
XP Division:	Not Applicable	Power Factor:	76
Agency Approvals:	UR	Product Family:	Wash Down Paint Free
	CSA	Pulley End Bearing Type:	Sealed Bearing
Auxillary Box:	No Auxillary Box	Pulley Face Code:	C-Face
Auxillary Box Lead Termination:	None	Pulley Shaft Indicator:	Standard
Base Indicator:	Rigid	Rodent Screen:	None
Bearing Grease Type:	Polyrex EM (-20F +300F)	RoHS Status:	ROHS COMPLIANT
Blower:	None	Shaft Extension Location:	Pulley End
Current @ Voltage:	2.100 A @ 460.0 V	Shaft Ground Indicator:	No Shaft Grounding

	4.200 A @ 230.0 V	Shaft Rotation:	Reversible
Design Code:	B	Shaft Slinger Indicator:	Shaft Slinger
Drip Cover:	No Drip Cover	Speed Code:	Single Speed
Duty Rating:	CONT	Motor Standards:	NEMA
Electrically Isolated Bearing:	Not Electrically Isolated	Starting Method:	Direct on line
Feedback Device:	NO FEEDBACK	Thermal Device - Bearing:	NONE (OLD)
Front Face Code:	Standard	Thermal Device - Winding:	Normally Closed Thermostat
Front Shaft Indicator:	None	Vibration Sensor Indicator:	No Vibration Sensor
Heater Indicator:	No Heater	Winding Thermal 1:	None
Insulation Class:	H	Winding Thermal 2:	None

Nameplate NP1608L	
CAT NO	IDCSWDM3554
SPEC.	35S632P802G1
FRAME	56C HP 1.5 TE
VOLTS	230/460
MAG CUR	2.4/1.2 FLA 4.2/2.1
RPM	1760 RPM MAX 4000
HZ	60 PH 3 CLASS H
SER.F.	1.00 DES B SL HZ 1.33
NEMA-NOM-EFF	88.5 WK2 0.201
BLWR V	PH HZ A
RATING	40C AMB-CONT
DE BRG	6205 ODE BRG 6203
CC	010A SN
	INV WDG ISR WIRE

Parts List		
Part Number	Description	Quantity
SA178419	SA 35S632P802G1	1.000 EA
RA166493	RA 35S632P802G1	1.000 EA
34FN3002B01	EXTERNAL FAN, PLASTIC, .637/.639 HUB W/	1.000 EA
NS2512A01	INSULATOR, CONDUIT BOX X	1.000 EA
35CB5001A03	CONDUIT BOX KIT, FOR SUPER II WASHDOWN	1.000 EA
11XW1032G06	10-32 X .38, TAPTITE II, HEX WSHR SLTD U	1.000 EA
35EP3122B00U	MASTER ODE,203 BRG,.683SH,.125NPT DRNS,F	1.000 EA
HW4500A33	1/8 NPT STAINLESS,HOLO-KROME #13002,PRES	3.000 EA
HW5100A03	WAVY WASHER (W1543-017)	1.000 EA
35EP3307E00U	MASTER DE,205 BRG,1.623SH,.125NPT DRNS,C	1.000 EA
HW4500A33	1/8 NPT STAINLESS,HOLO-KROME #13002,PRES	3.000 EA
HW4606A02	JM CLIPPER/SEAL (LWE-0938-1624-AL23)	1.000 EA
12XN1032S20	10-32 X 1-1/4 HEX M.S. , STAINLESS STEEL	2.000 EA
HA1049A01	DUBO LOK WASHER SIZE 10 (NYLON LOCK SEAL	2.000 EA
HA1049A01	DUBO LOK WASHER SIZE 10 (NYLON LOCK SEAL	4.000 EA
51XB1214A16	12-14X1.00 HXWSSLD SERTYB	1.000 EA
35FH4005A53	IEC FH NO GREASER - DEBURR/CLEAN - SS	1.000 EA
11XW1032S06	10-32 X .38, TAPTITE II, HEX WSHR SLTD U	3.000 EA
HW4600B39SP	V-RING SLINGER 0.550 X 0.790 X .18 VITON	1.000 EA
HW2502D13	SS KEY, 3/16 SQ X 1.375	1.000 EA
HA7000A01	KEY RETAINER 7/8" DIA SHAFT	1.000 EA
MJ5001A02	732 CL SEALANT 3 OZ DIXIE BEARING 289100	0.001 EA
85XU0407S04	4X1/4 U DRIVE PIN STAINLESS	2.000 EA
LB1164	LABEL,WARNING AND DRAIN	1.000 EA

Parts List (continued)		
Part Number	Description	Quantity
HA5027A02	HA4054 T-DRAIN X2 BAGGED WITH LABEL	1.000 EA
MJ1000A02	GREASE, POLYREX EM EXXON (USe 4824-15A)	0.050 LB
HA3100S25	THRUBOLT 10-32 X 9.500 SS TDR #23687	4.000 EA
LC0145B01	CONNECTION LABEL	1.000 EA
NP1608L	SS WD INV UL CSA CC REV MTG	1.000 EA
36PA1000	PKG GRP, PRINT PK1016A06	1.000 EA
MN416A01	TAG-INSTAL-MAINT no wire (1200/bx) 5/18	1.000 EA

AC Induction Motor Performance Data

Page 1 of 1



AC Induction Motor Performance Data

Record # 36564

Typical performance - not guaranteed values

Winding: 35WGP802	Type: 3533M	Enclosure: TEFC
--------------------------	--------------------	------------------------

Nameplate Data			General Characteristics at 460 V, 60 Hz: High Volt Connection		
Rated Output (HP)	1.5		Full Load Torque	4.45 LB-FT	
Volts	230/460		Start Configuration	DOL	
Full Load Amps	4.2/2.1		Break Down Torque	20.8 LB-FT	
R.P.M.	1760		Pull-Up Torque	11.7 LB-FT	
Hz	60	Phase	3	Locked-rotor Torque	14.6 LB-FT
NEMA Design Code	B	KVA Code	M	Starting Current	20 Amps
Service Factor	1		No-load Current	1.17 Amps	
NEMA Nom. Eff.	88.5	P.F.	76	Line-line Res. @ 25°C.	8.44 Ohms
Rating - Duty	40C AMB-CONT		Temp. Rise @ Rated Load	34°C	
S.F. Amps			Temp. Rise @ S.F. Load	40°C	

Load Characteristics at 460 Volts, 60 Hz, 1.5 HP

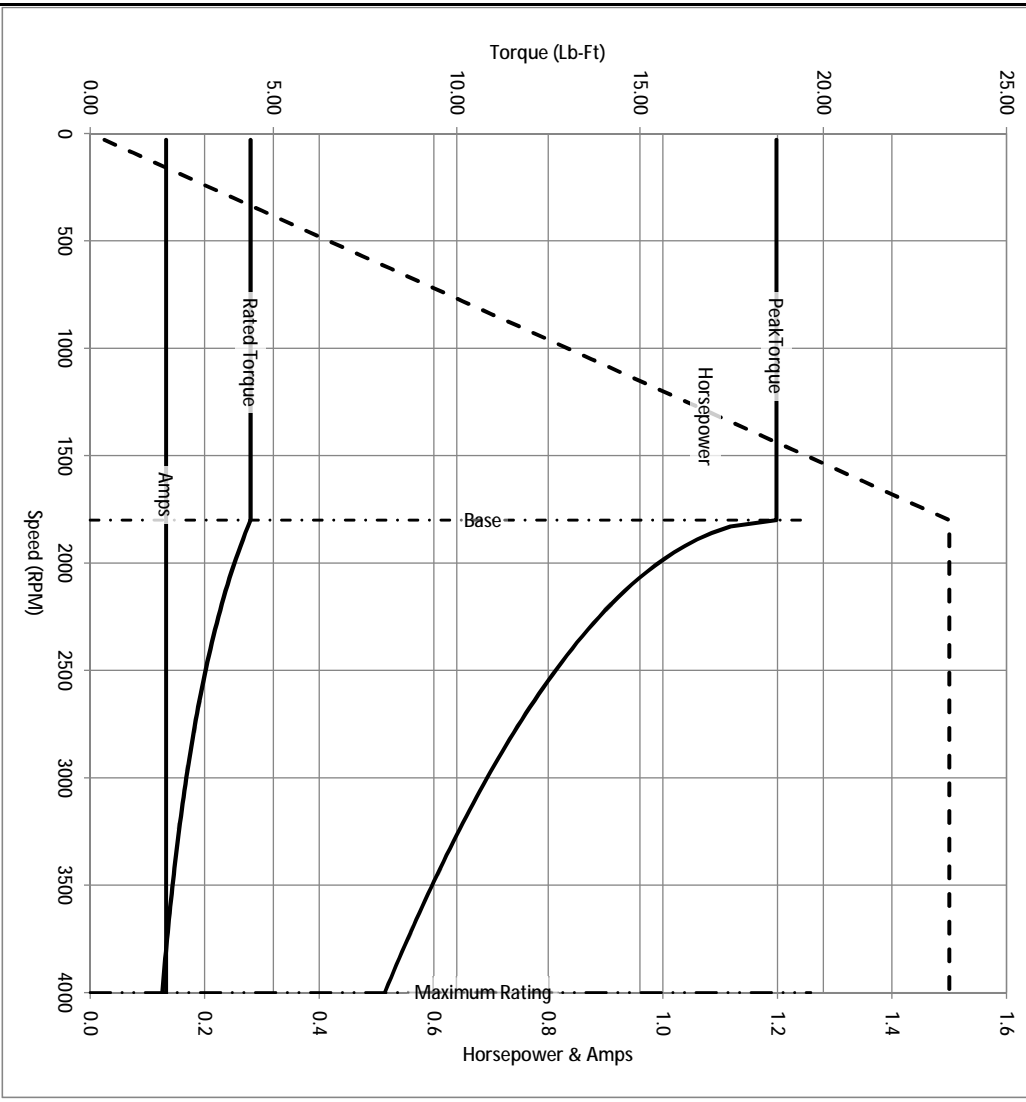
% of Rated Load	25	50	75	100	125	150	S.F.
Power Factor	35	54	68	76	81	84	
Efficiency	80.5	87.1	88.3	88.8	88.3	87.4	
Speed	1791	1782	1773	1764	1753	1743	
Line Amperes	1.26	1.46	1.76	2.07	2.45	2.87	

Baldor Electric Company Fort Smith, Arkansas

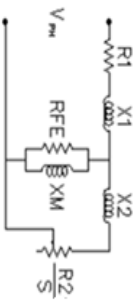


3/6/2013

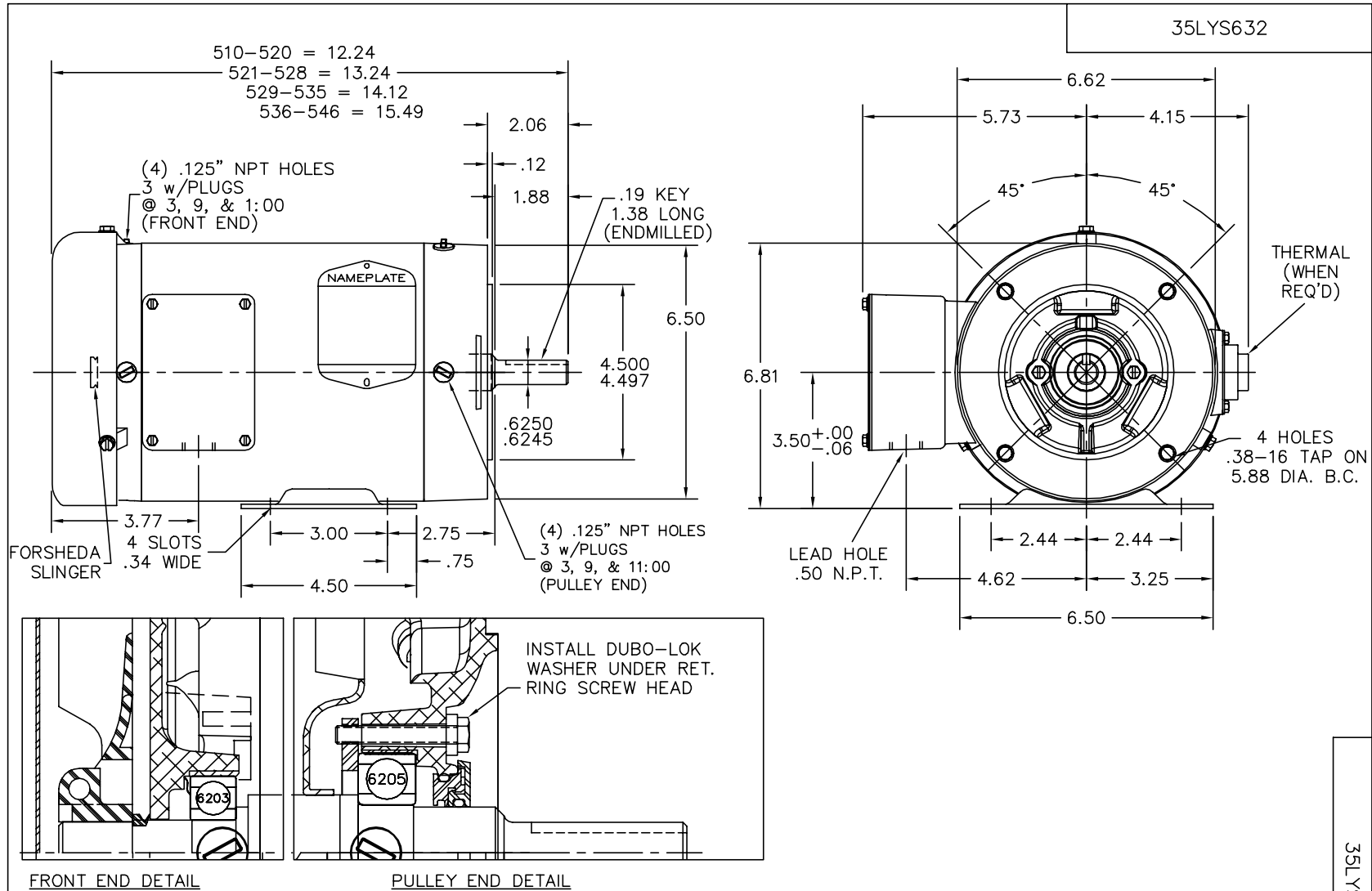
Catalog	IDCSWDM3554	NP VOLTS	230/460	ENCLOSURE	TEFC	WYE CONN EQ CKT OHMS PER PHASE (BASE RATING, 20C)
FRAME	56C	NP AMPS	4.2/2.1	Base Volts	460	R1 4.140 X1 8.770
HP	1.5 HP	DUTY	Cont	Base AMPS	2.07	R2 2.710 X2 7.810
BASE SPEED	1800	MAX SAFE RPM	4000	Slip Hz	1.20	XM1 217.396
PHASE/HZ	3/60	AMB ⁰ /C/INSUL	40/H	WK ² (lb-ft ²)	0.195	



Remarks: Calculated Data



<p>A MEMBER OF THE ABB GROUP</p>	DR BY ENR CK BY APP BY ENR DATE 3/6/2013	A-C MOTOR PERFORMANCE CURVES	35S632P802G1 ISSUE DATE 3/6/2013
----------------------------------	---	---------------------------------	-------------------------------------



CUSTOMER IS RESPONSIBLE FOR DETERMINING THAT BALDOR'S PRODUCT WILL PERFORM SUITABLY IN THE INTENDED APPLICATION.

REV. DESC: UPDATE ENDPLATES AND NOTES		
REV. LTR: E	VERSION: 05	TDR: 000001074886
FILE: \AAA\00093\236	REVISED: 01:20:43 06/14/2018	BY: FPJFGO
MTL: -		

BALDOR - RELIANCE®

HORZ 56C TEFC 35M WD2 (PAINT FREE)

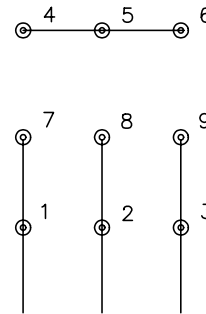
SH 1 of 1

35LYS632

CD0005

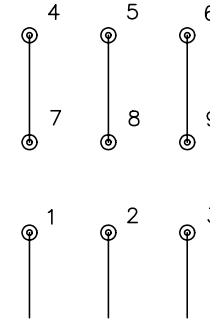


LOW VOLTAGE
(2Y)



LINE

HIGH VOLTAGE
(1Y)



LINE

NOTES:

1. INTERCHANGE ANY TWO LINE LEADS TO REVERSE ROTATION.
2. OPTIONAL THERMOSTATS ARE PROVIDED WHEN SPECIFIED.
3. ACTUAL NUMBER OF INTERNAL PARALLEL CIRCUITS MAY BE A MULTIPLE OF THOSE SHOWN ABOVE.
4. LEAD COLORS ARE OPTIONAL. LEADS MUST ALWAYS BE NUMBERED AS SHOWN.

REV. DESC: REVISE TO SHOW OPTIONAL COLORS			
REV. LTR: E	BY: JLP	REVISED: 01/19/99 10:15	TDR: 0171435
900000		FILE: AAA00005140	MDL: -
		MTL: -	

BALDOR ELECTRIC Co.

3PH, DV, 9 LEADS

CD0005